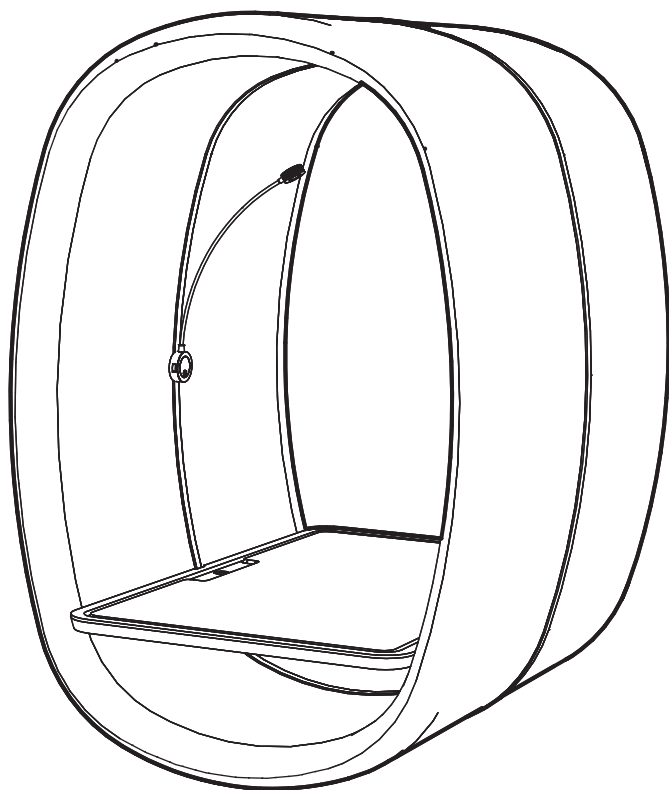


BuzziRing

INSTALLATION MANUAL



Please note: Due to safety reasons the BuzziRing should only be mounted by a professional.

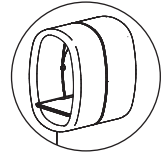
The max load on the BuzziRing strongly depends on the mounting structure and the mounting materials used.

The BuzziRing is recommended for mounting on walls made of concrete or brick.

Hollow walls have to be reinforced on the backside of the wall. Do use suitable mounting.

BuzziRing

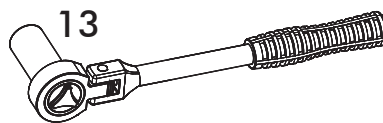
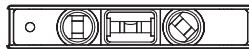
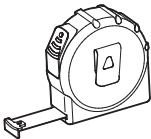
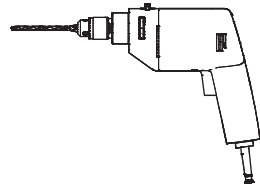
2 PERS. 



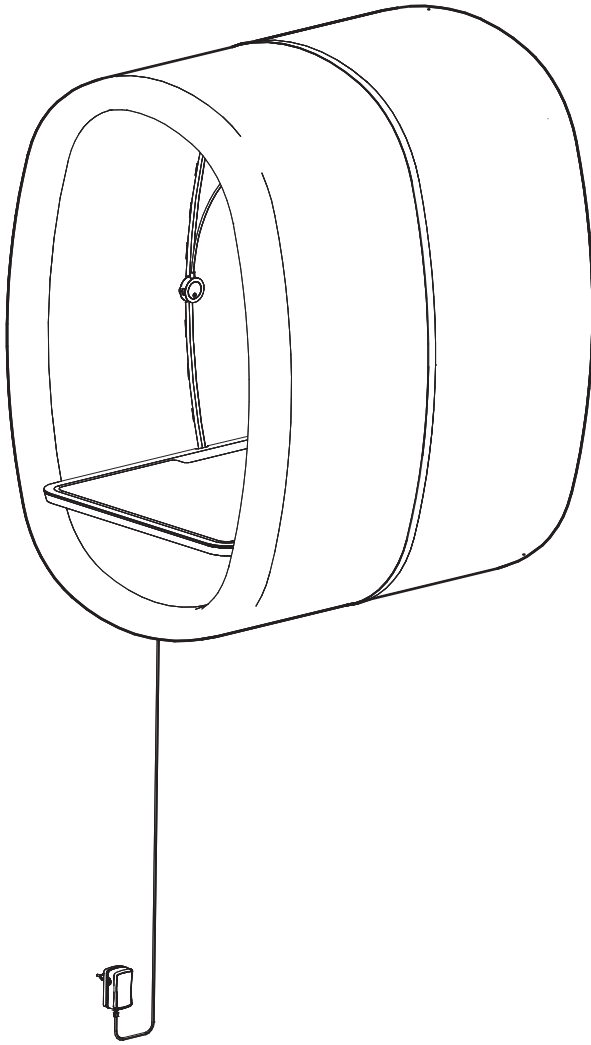
Excluded



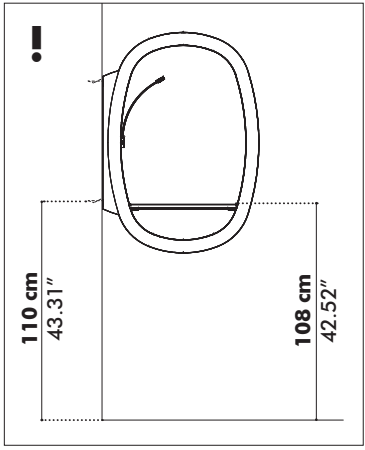
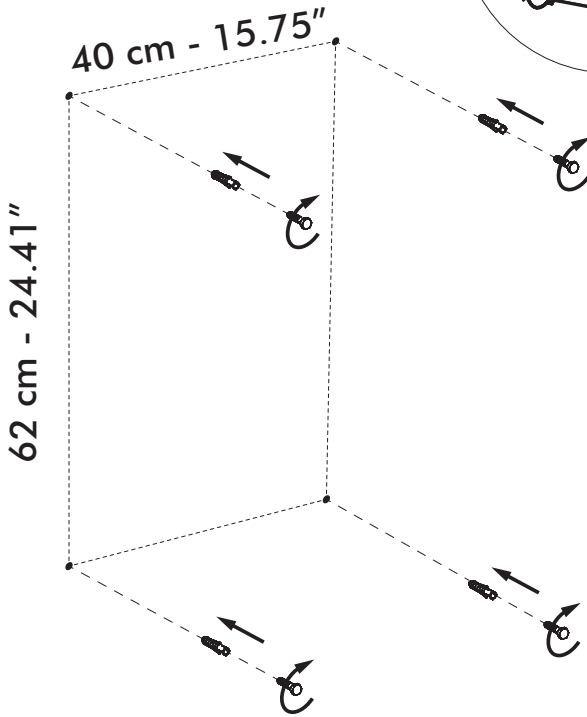
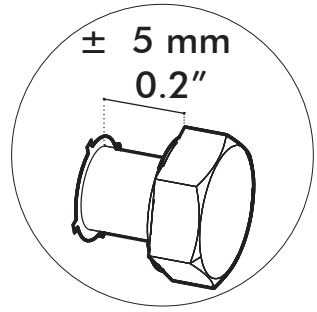
4x



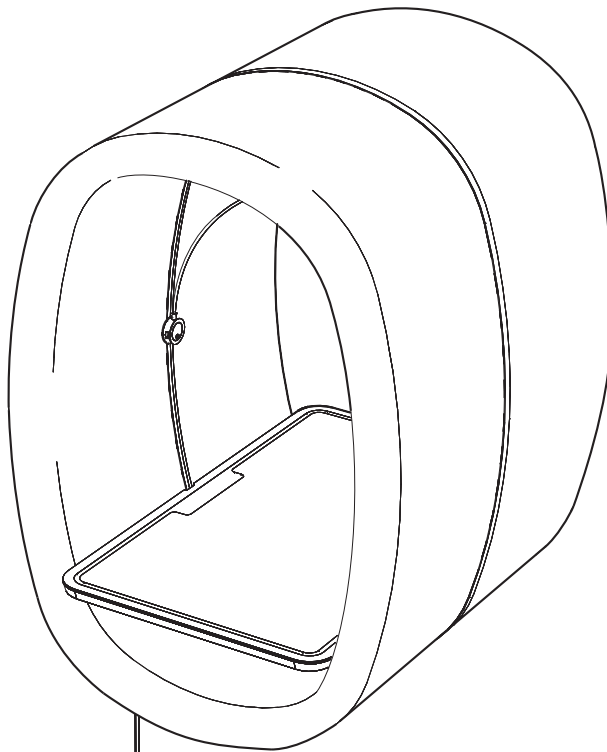
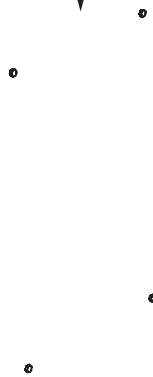
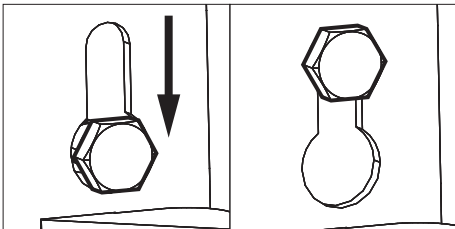
Included



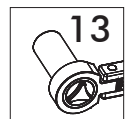
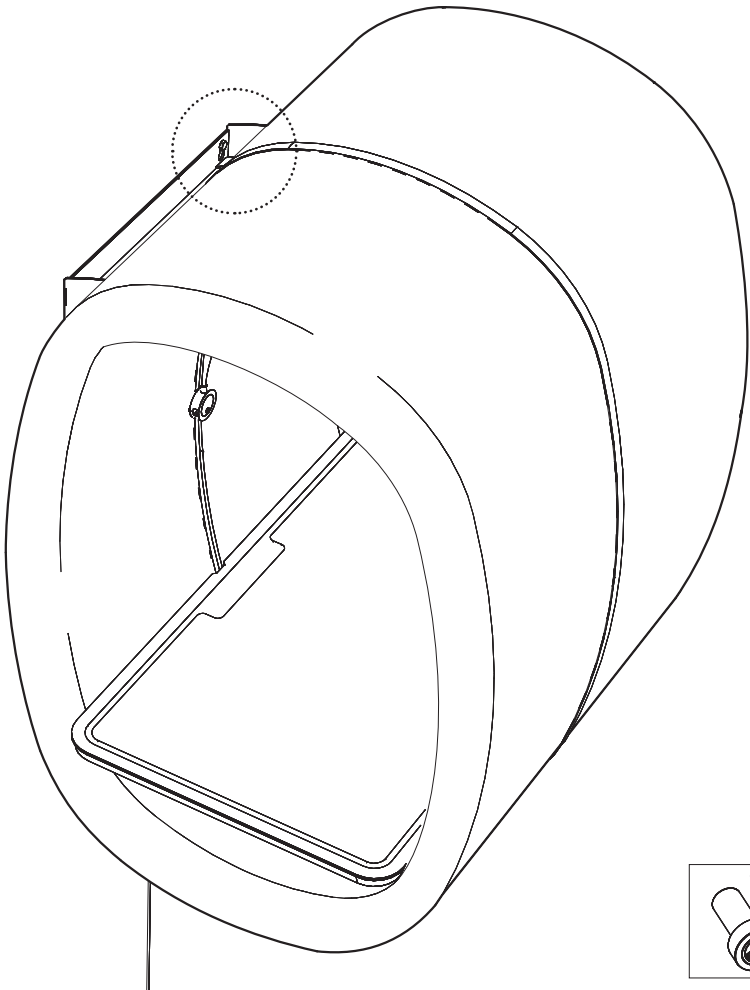
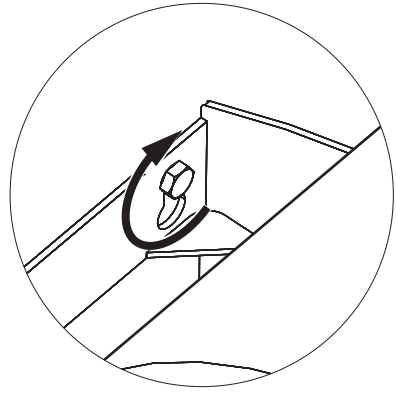
1



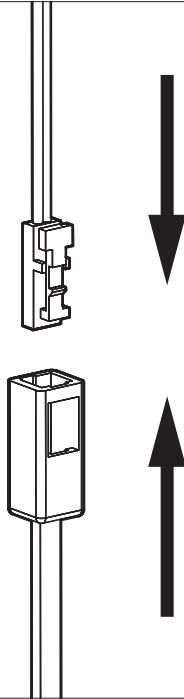
2 2 PERS. 



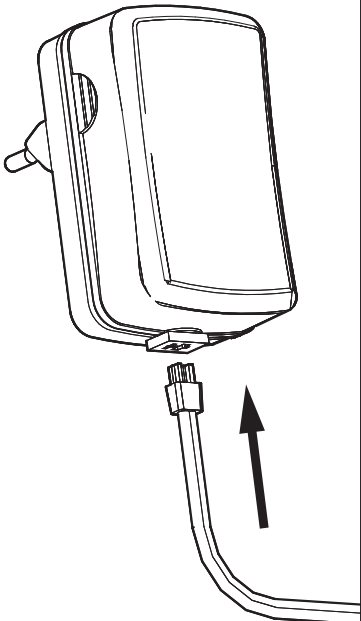
3



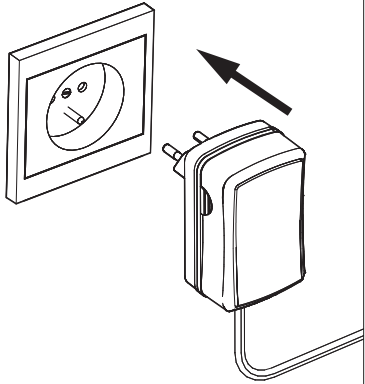
4



5



6



BuzziSpace
Groeningenlei 141
2550 Antwerp, Kontich
Belgium
☎ +32 (0)3 846 10 00
✉ info@buzzi.space
🌐 www.buzzi.space



Doc nr.: A-0000007056/01
Last update: 09/08/2022