



**Pablo**<sup>®</sup>  
2023  
PRODUCT GUIDE

See the Light

CELEBRATING  
30 YEARS OF  
ILLUMINATION

## ABOUT PABLO DESIGNS

Pablo's designs have been propelled to the forefront of American contemporary lighting by an uncompromising devotion to simplicity and utility. By fusing the highest technical sensibilities with the most appropriate material palette, Pablo is able to create unique, timeless designs with the power to transform any environment. Pablo was founded in San Francisco in 1993 by Venezuelan born industrial designer Pablo Pardo. Embracing a less-is-more ideology, Pablo frequently challenges traditional design metaphors, developing more practical solutions distilled down to their essence, form and light. A common thread links all of its creations, valuing permanence and sustainability, discarding the disposable mindset so prevalent today. Its mission is to create designs that deepen the relationship between objects, their users, and their environments.

## FOUNDER / CREATIVE DIRECTOR

### Pablo Pardo

With the creation of his first product in 1993, Pablo established a powerful and generative design philosophy. Since then, his core principles have informed the development of every light in the studio's 30-year history. These products continue to move with culture while withstanding trends in design and each one carries the underlying uniqueness that is distinctly "Pablo."



## DESIGN COLLABORATIONS



### John August

Located in San Francisco, August is a furniture and product designer. As an accomplished craftsman and machinist he employs a hands-on approach to the design and engineering of objects, always in pursuit of the space between art and function. Equally at home with traditional hand tools, 3D modeling software, or advanced CNC machinery, August explores the stillpoint between the deep soul of the hand-made with the precision of quality mass-production.



### Brad Ascalon

Brad Ascalon's multidisciplinary Manhattan studio was founded in 2006. With a reductive approach to his craft, Ascalon believes in design that is uncomplicated, rational and manages to find the perfect balance of form, function and concept. Ascalon's work has been exhibited around the world, and in 2013 he was singlehandedly invited to represent American design with an installation at Moscow Design Week. Ascalon earned a Masters' degree for Industrial Design from New York's Pratt Institute in 2005, and that same year was recognized by Wallpaper magazine as one of the "Ten Most Wanted" emerging designers in the world. He attributes his passion for design to the two generations before him who instilled the value of craftsmanship and rigor.



### Carmine Deganello

Based in Amsterdam and Milan, Deganello's creative process begins with materiality and an empirical approach that is highly experimental. Research on materials and the ways in which they can unexpectedly drive the productive process is essential to his work. His work includes: Solis, Uma, Talia, and T.O, all of which demonstrate his shared sensibilities and long-term collaboration with Pablo. Deganello has worked extensively in Europe as well as the United States, his projects have been presented, among others, at the Triennale Design Museum as part of the New Italian Design collection. He is a graduate of Florence's Instituto Superiore per la Industrie Artistiche.



### Fernando Pardo

Since lending his craftsmanship to companies such as Sony, Dell, Embraer, Compaq, Pablo, BMW, and others, Pardo has been internationally recognized as a leading design thinker. His "Gina" car for BMW won the "Concept Car of the Year" award in 2008, and, in addition to being showcased in the BMW Museum in Munich, continues to serve as the foundation for the company's contemporary auto designs. Most recently Pardo received a 2012 Red Dot Award for his lamp, PIXO, which he created with his twin brother, Pablo founder Pablo Pardo. Fernando is a graduate of the design program at the University of Cincinnati.



### Peter Stathis

Fascinated by the social and cultural dimensions of objects, Stathis' work seeks to foster meaningful relationships through today's sophisticated, mass-produced environment. He executes this goal by working in both the high-minded and popular realms, having designed for brands ranging from the Museum of Modern Art to Lava Lite. Stathis' original 2006 Tube Top lamp represents one of several contributions to Pablo.



### Pablo Studio

The Pablo Studio is a small group of makers and inventors with a diverse background in industrial design and craft, and a deep understanding of manufacturing, materials and technology. They aim to foster a sense of discovery and deeply personal utility in people's interaction with objects. In beginning a new project, the team isolates a concept, meticulously refines it, and then reduces it to its central principle. The studio requires each design element to contribute to the essence of an object, following the Pablo philosophy of "less is more." Pablo Studio works together to develop products that offer people unique experiences and broaden the field of lighting design.

PRODUCT FAMILIES



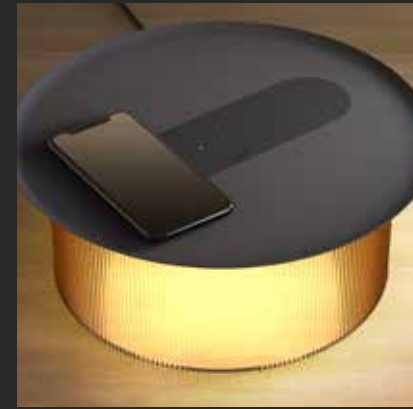
BEL OCCHIO  
8-11



BELMONT  
12-15



BOLA DISC  
16-25



CAROUSEL  
63-72



CIELO PLUS  
73-78



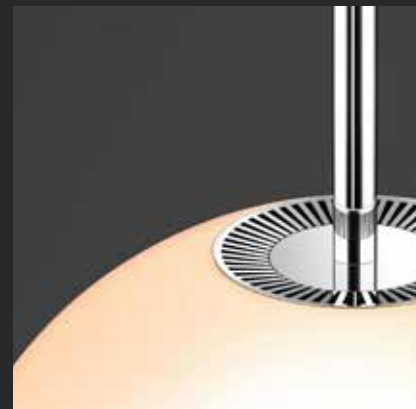
CIELO XL  
79-84



BOLA FELT  
26-29



BOLA HALO  
30-35



BOLA SPHERE  
36-46



CIRCA  
85-96



CONTOUR  
97-102



CORTINA  
103-108



BOLA LANTERN  
47-52



BRAZO  
53-58



CANDÉL  
59-62



ELISE  
109-114



LANA  
115-122



LIM  
123-130



PRODUCT FAMILIES



LINK  
131-140



LUCI  
141-148



NIVÉL PORTABLES  
149-160



SUPERLIGHT  
208-220



SWELL  
221-230



TALIA  
231-236



NIVÉL PENDANT  
161-168



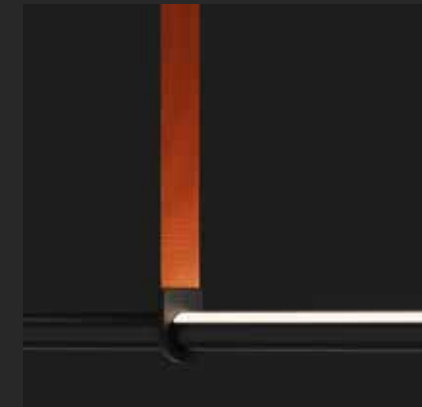
PICCOLA  
169-172



PILAR  
173-178



T.O TABLE & FLOOR  
237-246



T.O PENDANT  
247-256



TOTEM  
257-232



PIXO  
179-184



SKY  
185-200



SOLIS  
201-207



TUBE TOP  
233-280

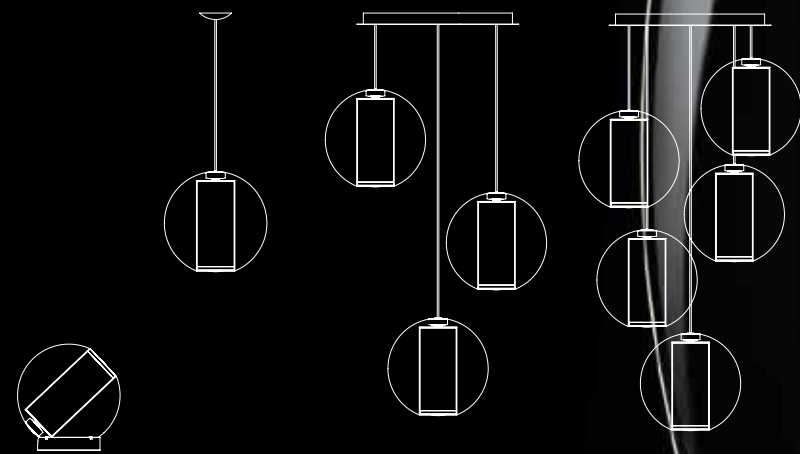


UMA  
281-290

# BEL OCCHIO

"Bel Occhio is a study in weightlessness and transparency," notes designer Pablo Pardo on his inspiration for this luminaire. "It evokes nature's transformative light." His piece manifests the celestial through a hybrid design: its suspended, inner column creates focused illumination while its surrounding shell produces a transformative ambient glow. These symbiotic elements enable Bel Occhio to act as a multi-position spotlight and a source of atmospheric tenor. They also serve dynamic purposes: Bel Occhio is built as an infinitely adjustable table lamp and a suspended pendant model. Both elements serve to illuminate with comfort and fascinate the imagination.

Designer:  
Pablo Pardo 2005



# BEL OCCHIO

## DESCRIPTION

"Bel Occhio is a study in weightlessness and transparency," notes designer Pablo Pardo on his inspiration for this luminaire. "It evokes nature's transformative light." His piece manifests the celestial through a hybrid design: its suspended, inner column creates focused illumination while its surrounding shell produces a transformative ambient glow. These symbiotic elements enable Bel Occhio to act as a multi-position spotlight and a source of atmospheric tenor. They also serve dynamic purposes: Bel Occhio is built as an infinitely adjustable table lamp and a suspended pendant model. Both elements serve to illuminate with comfort and fascinate the imagination.

## FIXTURE TYPE

Pendant  
Table

## LIGHT SOURCE

(1) 2900K E26 med base 53W BT15 bulb: 1050lm

## LIGHT CONTROL

Fully dimmable (Pendant)  
in-line slide dimmer (Table)

## FEATURES

Compatible with TRIAC/ELV dimmers (Pendant)  
360° rotation (Table)

## SPECIFICATIONS

Voltage: 120-240V  
Cable length: 8' (243.8cm)

## CERTIFICATIONS

UL listed components



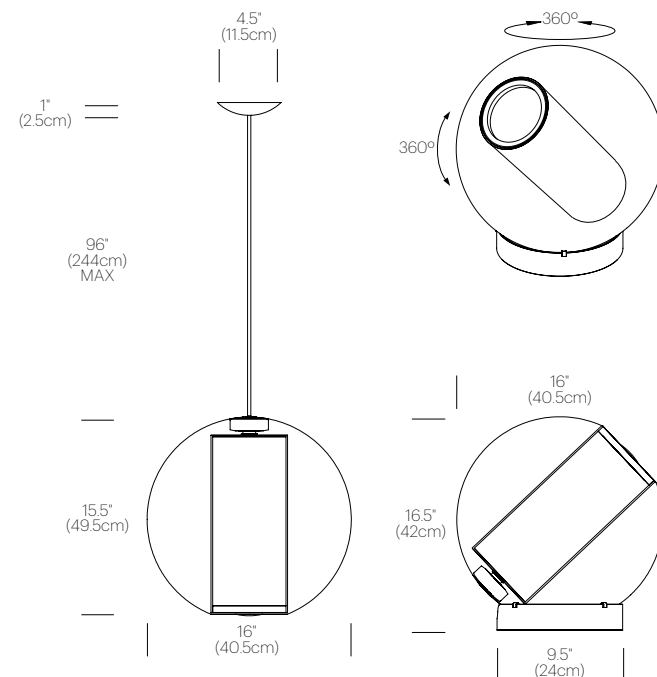
## FINISHES



CLEAR/WHITE



CLEAR/ORANGE



## PRODUCT CODES

Bel Occhio Pendant (Clear/White):	BELO 16 WHT PEN
Bel Occhio Pendant (Clear/Orange):	BELO 16 ORG PEN
Bel Occhio 3 Pendant (Clear/White):	BELO 16/3 WHT
Bel Occhio 3 Pendant (Clear/Orange):	BELO 16/3 ORG
Bel Occhio 5 Pendant (Clear/White):	BELO 16/5 WHT
Bel Occhio 5 Pendant (Clear/Orange):	BELO 16/5 ORG
Bel Occhio Table (Clear/White):	BELO 16 WHT TBL
Bel Occhio Table (Clear/Orange):	BELO 16 ORG TBL

## PACKAGING WEIGHT AND DIMENSIONS

Bel Occhio:	11.7LBS	18.5" X 19" X 21"
(Pendant)	5.3KGS	47cm X 48cm X 53cm
BEL OCCHIO:	11.7LBS	18.5" X 19" X 21"
(Table)	5.3KGS	47cm X 48cm X 53cm

## NOTES

Custom tube colors available on volume orders.

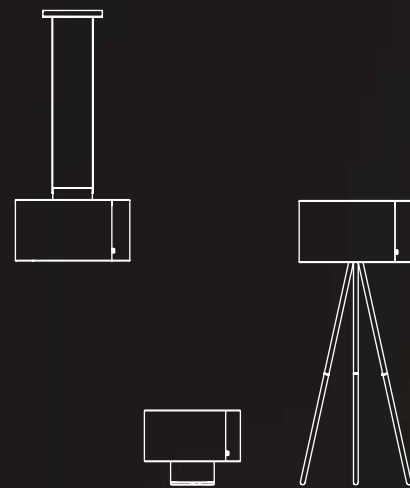




# BELMONT

The Belmont Collection was a collaborative creation with designer Brad Ascalon. Re-envisioning the traditional fabric shade lamp, but with the warmth and preciousness of hand crafted furniture. Belmont's iconic, yet reductive form creates a natural canvas for displaying an exquisite array of textiles from premium wool to colorful woven fabrics that can be paired with a solid crafted oak wood armature. Belmont Pendant can be hung individually or in stunning groupings to provide warm and comfortable illumination to complement any residential, contract, or hospitality setting. Belmont is also available in stunning table and floor standing models to bring warmth and beauty to any environment.

Designer:  
Brad Ascalon 2018 + Pablo Studio 2019



# BELMONT

## DESCRIPTION

The Belmont Collection was a collaborative creation with designer Brad Ascalon re-envisioning the traditional fabric shade lamp but with the warmth and preciousness of hand crafted furniture.

## FIXTURE TYPE

Pendant, Table, Floor

## LIGHT SOURCE

(2) 2700K E26 A21 15W LED bulbs, 1600lm (US)  
(2) 2700K E27 5.9W LED bulb, 806lm (EU)

## LIGHT CONTROL

Hard-Wired, dimmable  
Compatible with TRIAC/ELV dimmers

## FEATURES

Full range dimming

## SPECIFICATIONS

Voltage: 120 or 240V 50/60Hz  
Power Consumption: 30W (2x 15W LED bulbs)  
Color Temperature: 2700K  
Luminosity: 3200 Lumens  
Luminaire efficacy: 106 Lumens/Watt  
Color Rendition Index: 90 CRI  
Cable Length: 10' (3m) Field Cuttable

## CERTIFICATIONS



## PRODUCT CODES

Belmont 22 (Silverdale):	BELM 22 GRY
Belmont 22 (Charcoal):	BELM 22 GPT
Belmont 22 (White):	BELM 22 WHT
Belmont Table (Charcoal/Oak):	BELM TBL GPT/OAK
Belmont Table (Charcoal/Walnut):	BELM TBL GPT/WAL
Belmont Table (Silverdale/Oak):	BELM TBL GRY/OAK
Belmont Table (Silverdale/Walnut):	BELM TBL GRY/WAL
Belmont Table (White/Oak):	BELM TBL WHT/OAK
Belmont Table (White/Walnut):	BELM TBL WHT/WAL
Belmont Floor (Charcoal/Oak):	BELM FLR GPT/OAK
Belmont Floor (Charcoal/Walnut):	BELM FLR GPT/WAL
Belmont Floor (Silverdale/Oak):	BELM FLR GRY/OAK
Belmont Floor (Silverdale/Walnut):	BELM FLR GRY/WAL
Belmont Floor (White/Oak):	BELM FLR WHT/OAK
Belmont Floor (White/Walnut):	BELM FLR WHT/WAL

## PACKAGING WEIGHT AND DIMENSIONS

Belmont Pendant	8.75LBS	22.5" X 18"
	4KG	57cm X 45.5cm
Belmont Table	11LBS	22.5" X 17" X 8.5"
	5KG	57.2cm X 43cm X 17.8cm
Belmont Floor	7.7LBS	22.5" X 17" X 8.5"
(Shade)	3.5KG	57.2cm X 43cm X 17.8cm
Belmont Floor	5.7LBS	28.9" X 4.1" X 3.9"
(Legs)	2.4KG	73.5cm X 10.3cm X 10cm

## NOTES

Custom requests can be considered on volume orders



## FINISHES

### WOOD



OAK

### FABRIC



CHARCOAL



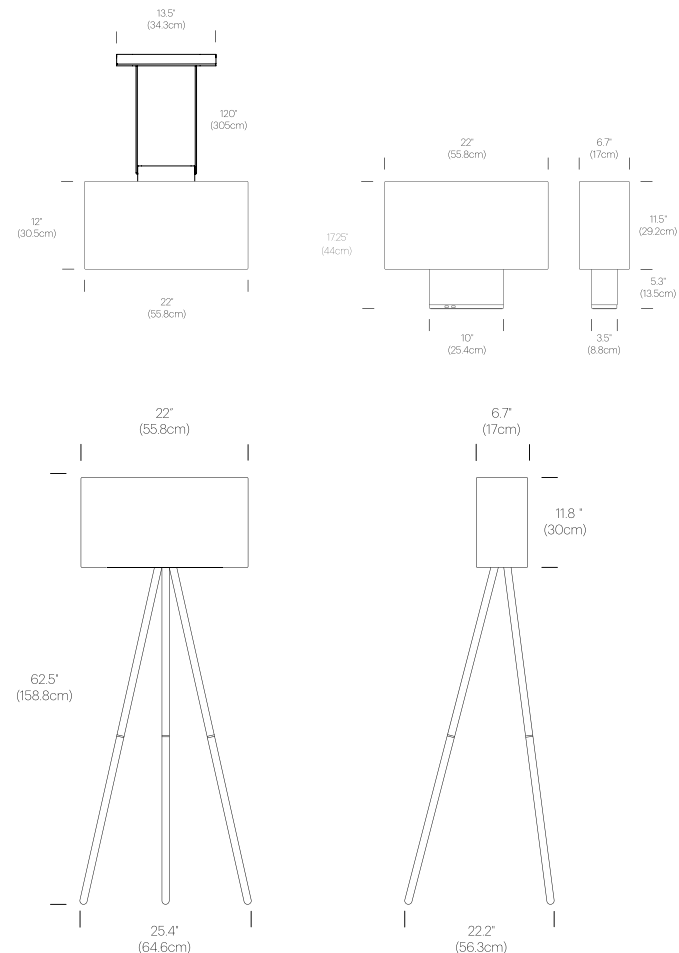
SILVERDALE



WHITE

## DIMENSIONS

BELMONT PENDANT, TABLE, FLOOR

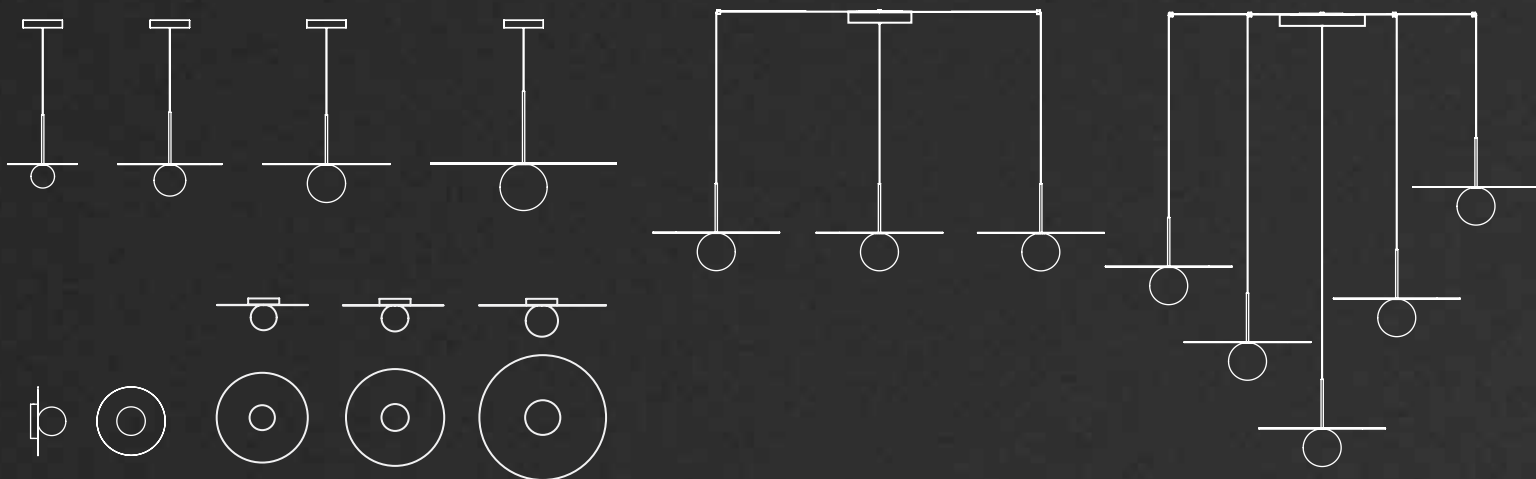




# BOLA DISC

Bola Disc is a uniquely expressive LED Lighting system featuring a distinctive range of chromated disc reflectors that give the illusion of weightlessness by mirroring its surroundings. Bola Disc pairs an elegant globe diffuser made of opaline glass with exquisitely polished stainless steel or aluminum discs in chrome, brass, rose gold, gunmetal, lacquered white, and matte black to appease the most discerning tastes. Dependent on size, Bola provides up to 1710 lumens of warm ambient light and is fully dimmable, providing unparalleled illumination. Bola can be suspended individually, in series, or as striking chandelier groupings for residential, contract, and hospitality settings alike.

Designer:  
Pablo Pardo + Pablo Studio 2018



# BOLA DISC PENDANT

## DESCRIPTION

Bola Disc is a uniquely expressive LED Pendant system featuring a distinctive range of chromated disc reflectors that give the illusion of weightlessness by mirroring its surroundings. Available in 4 distinct sizes, Bola Disc pairs an elegant globe diffuser made of opaline glass with exquisitely polished stainless steel or aluminum discs in chrome, brass, rose gold lacquered white, and matte black to appease the most discerning tastes. Dependent on size, Bola provides up to 1710 lumens of warm ambient light and is fully dimmable, providing unparalleled illumination. Bola can be suspended individually, in series, or as striking chandelier groupings for residential, contract, and hospitality settings alike.

## FIXTURE TYPE

Pendant

## LIGHT SOURCE

Custom integrated LED, high-output chip on board

## LIGHT CONTROL

Hard-wired, dimmable  
Compatible with TRIAC/ELV and 0-10V dimmers

## FEATURES

Fully Dimmable  
Warm Dim

## SPECIFICATIONS

Voltage: 120V-277V 50/60Hz  
Power Consumption: 6W (12", 18"), 12W (22"), 20W (32")  
Color Temperature: 2700K-1800K (Warm Dim)  
Luminosity: 390Lm (12"), 390Lm (18"), 1100Lm (22"), 1710Lm (32")  
Luminaire Efficacy: 65Lm/W(average)  
Color Rendition Index: 95 CRI  
50K hour lifespan  
Cord Length: 8.9' (2.9m) (Field cuttable)

## CERTIFICATIONS



## PRODUCT CODES

Bola Disc 12 (Chrome):	BOLA 12 CRM
Bola Disc 12 (Brass):	BOLA 12 BRA
Bola Disc 12 (Rose Gold):	BOLA 12 RGD
Bola Disc 12 (Gunmetal):	BOLA 12 GUN
Bola Disc 12 (Gloss White/Chrome):	BOLA 12 WHT
Bola Disc 12 (Matte Black):	BOLA 12 BLK
Bola Disc 18 (Chrome):	BOLA 18 CRM
Bola Disc 18 (Brass):	BOLA 18 BRA
Bola Disc 18 (Rose Gold):	BOLA 18 RGD
Bola Disc 18 (Gunmetal):	BOLA 18 GUN
Bola Disc 18 (Gloss White/Chrome):	BOLA 18 WHT
Bola Disc 18 (Matte Black):	BOLA 18 BLK
Bola Disc 22 (Chrome):	BOLA 22 CRM
Bola Disc 22 (Brass):	BOLA 22 BRA
Bola Disc 22 (Rose Gold):	BOLA 22 RGD
Bola Disc 22 (Gunmetal):	BOLA 22 GUN
Bola Disc 22 (Gloss White/Chrome):	BOLA 22 WHT
Bola Disc 22 (Matte Black):	BOLA 22 BLK
Bola Disc 32 (Chrome):	BOLA 32 CRM
Bola Disc 32 (Brass):	BOLA 32 BRA
Bola Disc 32 (Rose Gold):	BOLA 32 RGD
Bola Disc 32 (Gunmetal):	BOLA 32 GUN
Bola Disc 32 (Gloss White/Chrome):	BOLA 32 WHT
Bola Disc 32 (Matte Black):	BOLA 32 BLK

## PACKAGING WEIGHT AND DIMENSIONS

Bola Disc 12	4LBS	15" X 7"
(Steel Shade)	1.8KG	38cm X 18cm
Bola Disc 12	2.4LBS	15" X 7"
(White Aluminum Shade)	1.1KG	38cm X 18cm
Bola Disc 18	8.6LBS	20.75" X 8"
(Steel Shade)	3.9KG	53cm X 20cm
Bola Disc 18	6.75LBS	20.75" X 8"
(White Aluminum Shade)	3KG	53cm X 20cm
Bola Disc 22	12.25LBS	24" X 10"
(Steel Shade)	5.6KG	61cm X 25cm
Bola Disc 22	9LBS	24" X 10"
(White Aluminum Shade)	4.1KG	61cm X 25cm
Bola Disc 32	23.8LBS	34.5" X 10.5"
(Steel Shade)	10.8KG	87.6cm X 27cm
Bola Disc 32	17.5LBS	34.5" X 10.5"
(White Aluminum Shade)	7.9KG	87.6cm X 27cm

## NOTES

3000K and 2700K CCT Models Available Upon Request.  
Custom requests can be considered on volume orders.



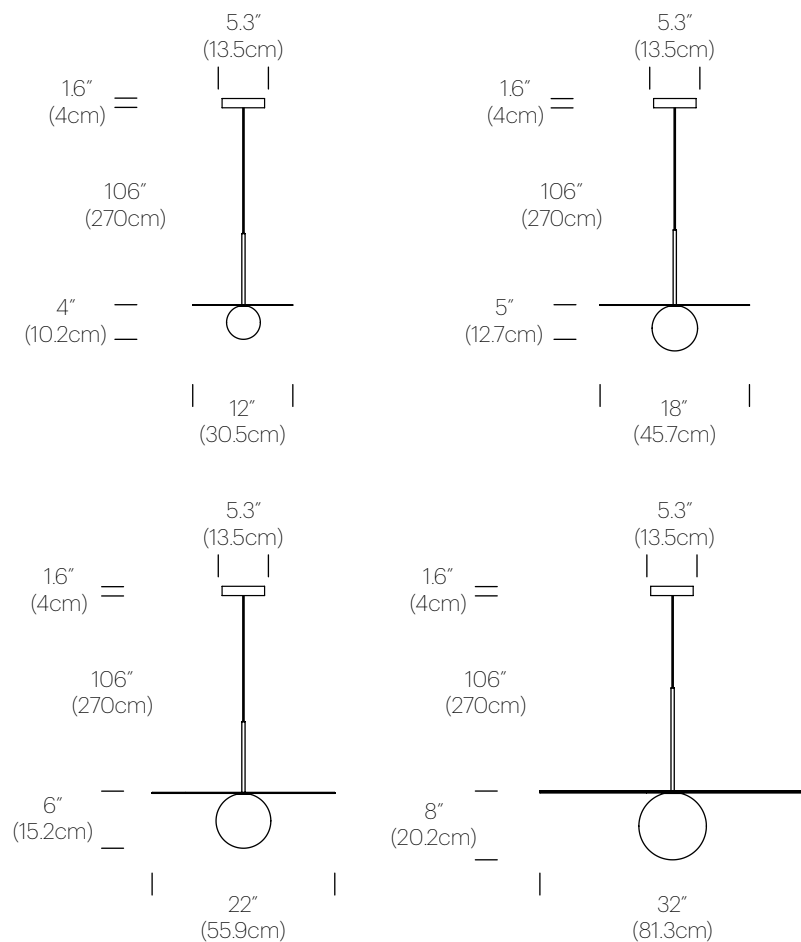
## FINISHES

### BOLA DISC



## DIMENSIONS

BOLA DISC 12, 18, 22, 32



# BOLA DISC MULTI-LIGHT

**DESCRIPTION**

Bola's elegant reflective disc and globe design can be suspended in a variety of custom arrangements in both round and linear configurations. With Bola Disc Multi-Light, up to 11 lamps can be grouped together in a variety of mixed disc sizes to form stunning luminaire displays. Both size and shape of the grouping is controlled by lamp quantity and positioning relative to the Multi-Light canopy. Swag mounts are provided to extend the lights out into space along with an ample cord length of 8.9' (2.7m) to offer a wide array of unique solutions.

**FIXTURE TYPE**

Pendant

**LIGHT SOURCE**

Custom integrated LED, high-output chip on board

**PRODUCT CODES**

Multi-Light Canopy 9" (White):	BOLA CAN 9 WHT
Multi-Light Canopy 9" (Black):	BOLA CAN 9 BLK
Multi-Light Canopy 12" (White):	BOLA CAN 12 WHT
Multi-Light Canopy 12" (Black):	BOLA CAN 12 BLK

**CERTIFICATIONS**



**PACKAGING WEIGHTS AND DIMENSIONS**

Multi-Light Canopy 9"	4.3LBS	12" X 12" X 6"
	2KG	30.5cm X 30.5cm X 15cm
Multi-Light Canopy 12"	6.6LBS	12" X 12" X 6"
	3KG	30.5cm X 30.5cm X 15cm

**NOTES**

Custom requests can be considered on volume orders.

BOLA Multi-Light Canopy Small (Ø9" OD) Up to 6



or

BOLA Multi-Light Canopy Large (Ø12" OD) 7 to 11



**FINISHES**

CANOPY



WHITE



BLACK



2, 3, 4, 5, 6... 11

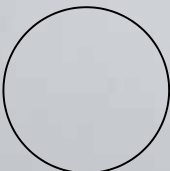
**ROUND**



**MULTI-LIGHT CANOPY DIMENSIONS**



9" (22.8cm)



12" (30.5cm)

**LINEAR**





# BOLA DISC FLUSH

## DESCRIPTION

A study in refined simplicity, Bola Flush offers a magical combination of mirror and globe refined down to its bare essentials. The objective with the Bola Flush is to provide both direct and reflected light from either ceiling or wall mounted vantage points. Bola Flush brings elegance and refinement with four sizes and five finishes in chrome, brass, rose gold, gunmetal, white, and matte black. An ideal fixture for adding diffused and reflected light in hallway corridors, nooks, dining settings, bedrooms, or living areas. Stunning groupings can also be created by mixing different sizes together to form unique custom light displays.

## FIXTURE TYPE

Wall/Ceiling

## LIGHT SOURCE

Custom integrated LED, high-output chip on board

## LIGHT CONTROL

Hard-wired, dimmable  
Compatible with TRIAC/ELV and 0-10V dimmers

## FEATURES

Shade Options: 12"(30cm), 18"(46cm), 22"(55cm), 32"(81.2cm)  
Warm Dim

## SPECIFICATIONS

Voltage: 120V-277V 50/60Hz  
Power Consumption: 6W (12", 18"), 12W (22"), 20W (32")  
Color Temperature: 2700K-1800K (Warm Dim)  
Luminosity: 390 Lumens (12"), 390 Lumens (18"), 1100 Lumens (22"), 1710 Lumens (32")  
Luminaire Efficacy: 65Lm/W(average)  
Color Rendition Index: 95 CRI  
50K hour lifespan

## CERTIFICATIONS



## PRODUCT CODES

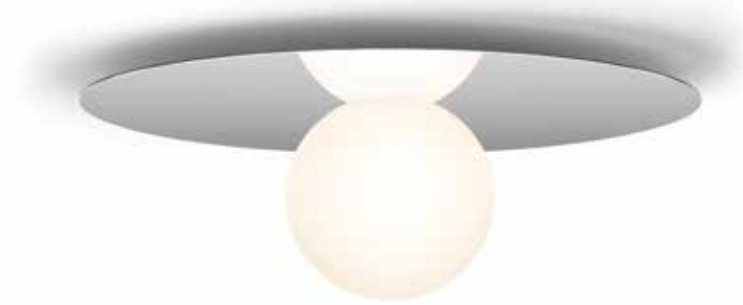
Bola Flush 12 (Chrome):	BOLA FSH 12 CRM
Bola Flush 12 (Brass):	BOLA FSH 12 BRA
Bola Flush 12 (Rose Gold):	BOLA FSH 12 RGD
Bola Flush 12 (Gunmetal):	BOLA FSH 12 GUN
Bola Flush 12 (Gloss White/Chrome):	BOLA FSH 12 WHT
Bola Flush 12 (Matte Black):	BOLA FSH 12 BLK
Bola Flush 18 (Chrome):	BOLA FSH 18 CRM
Bola Flush 18 (Brass):	BOLA FSH 18 BRA
Bola Flush 18 (Rose Gold):	BOLA FSH 18 RGD
Bola Flush 18 (Gunmetal):	BOLA FSH 18 GUN
Bola Flush 18 (Gloss White/Chrome):	BOLA FSH 18 WHT
Bola Flush 18 (Matte Black):	BOLA FSH 18 BLK
Bola Flush 22 (Chrome):	BOLA FSH 22 CRM
Bola Flush 22 (Brass):	BOLA FSH 22 BRA
Bola Flush 22 (Rose Gold):	BOLA FSH 22 RGD
Bola Flush 22 (Gunmetal):	BOLA FSH 22 GUN
Bola Flush 22 (Gloss White/Chrome):	BOLA FSH 22 WHT
Bola Flush 22 (Matte Black):	BOLA FSH 22 BLK
Bola Flush 32 (Chrome):	BOLA FSH 32 CRM
Bola Flush 32 (Brass):	BOLA FSH 32 BRA
Bola Flush 32 (Rose Gold):	BOLA FSH 32 RGD
Bola Flush 32 (Gunmetal):	BOLA FSH 32 GUN
Bola Flush 32 (Gloss White/Chrome):	BOLA FSH 32 WHT
Bola Flush 32 (Matte Black):	BOLA FSH 32 BLK
Bola Flush Standoff	BOLA FSH STAND

## PACKAGING WEIGHT AND DIMENSIONS

Bola Disc 12	4LBS	15" X 15" X 7"
(Steel Shade)	1.8KG	38cm X 38cm X 18cm
Bola Disc 12	2.4LBS	15" X 15" X 7"
(White Aluminum Shade)	1.1KG	38cm X 38cm X 18cm
Bola Disc 18	8.6LBS	20.75" X 20.75" X 8"
(Steel Shade)	3.9KG	53cm X 53cm X 20cm
Bola Disc 18	6.75LBS	20.75" X 20.75" X 8"
(White Aluminum Shade)	3KG	53cm X 53cm X 20cm
Bola Disc 22	12.25LBS	24" X 24" X 10"
(Steel Shade)	5.6KG	61cm X 61cm X 25cm
Bola Disc 22	9LBS	24" X 24" X 10"
(White Aluminum Shade)	4.1KG	61cm X 61cm X 25cm
Bola Disc 32	23.8LBS	34.5" X 34.5" X 10.5"
(Steel Shade)	10.8KG	87.6cm X 87.6cm X 27cm
Bola Disc 32	17.5LBS	34.5" X 34.5" X 10.5"
(White Aluminum Shade)	7.9KG	87.6cm X 87.6cm X 27cm

## NOTES

3000K and 2700K CCT Models Available Upon Request.  
Custom requests can be considered on volume orders.



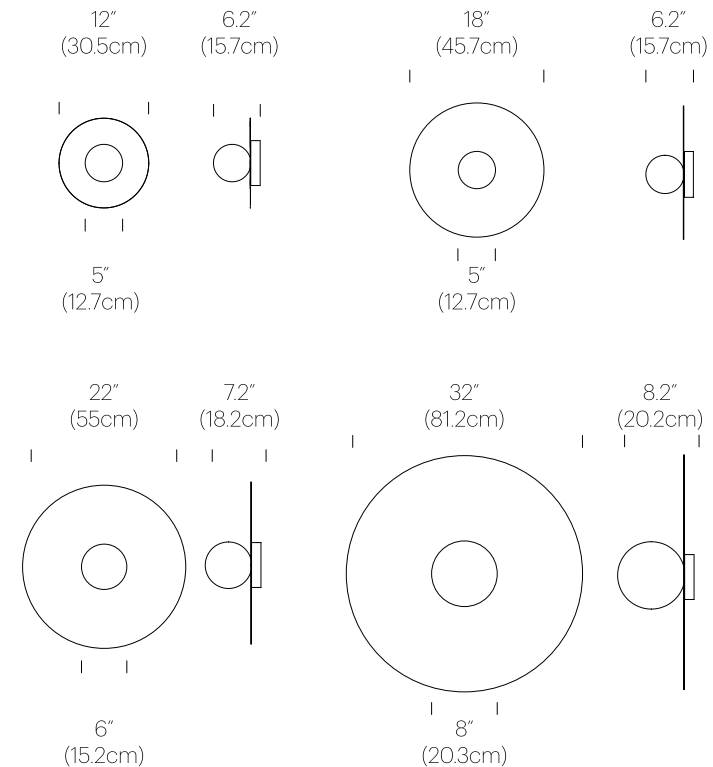
## FINISHES

### BOLA DISC



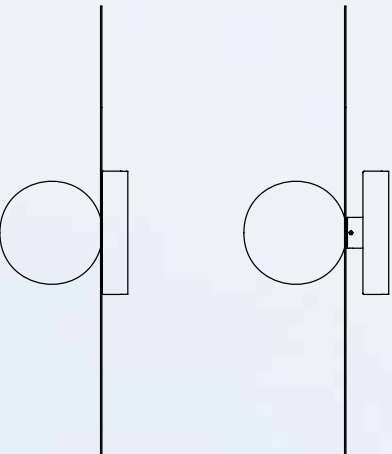
## DIMENSIONS

BOLA DISC FLUSH 12, 18, 22, 32



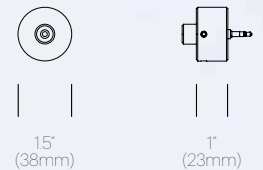
# BOLA DISC FLUSH GROUPING

Stunning compositions can be created by mixing or matching different sizes and finishes together to form unique customized light clusters.



1" add-on standoff allows for overlapping disc groupings

PRODUCT CODE  
BOLA FSH STAND

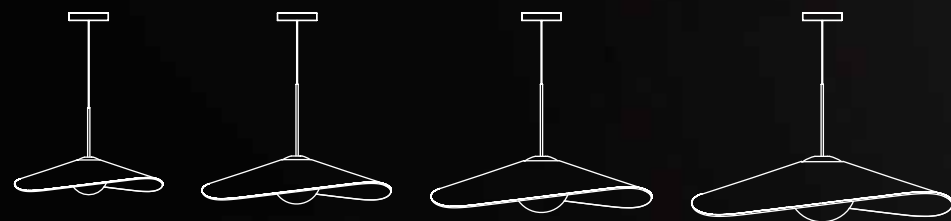




# BOLA FELT

Bola Felt's charmingly expressive felted shade hat features a soft and pliable conical structure with 2 colored layers of undulating wool inside and out. It is available in 4 distinct sizes: 24" (61 cm), 32" (81 cm), 42" (107cm), and 52" (132cm). Its shade rests elegantly over its opaline glass globe diffuser allowing the user to tilt the shade to multiple angles to focus light while taking on various relaxed personalities in the process. Bola Felt casts unparalleled illumination boasting up to 1625 lumens of warm and dimmable LED light that runs cool to the touch. Bola can be suspended individually, or in spectacular groupings to become the centerpieces of any space. Bola's thick felt shade also offers excellent acoustic dampening benefits making them perfectly suited for use over dining applications as well as social gathering areas where sound control is beneficial. Ideal for residential, lounge and hospitality spaces alike.

Designer:  
Pablo Pardo + Pablo Studio 2018



# BOLA FELT

## DESCRIPTION

Bola Felt is a uniquely expressive pendant light that features an undulating 100% wool felt shade that's adjustable to focus light to any desired direction. Bola Felt's acoustic properties provide excellent noise dampening characteristics that are perfectly suited for dining areas or quiet zones in the workplace. The shade is available in 4 distinct sizes: 24" (61cm), 32" (81cm), 42" (106cm), and 52" (132cm) with mating opaline globe diffuser sizes: 6" (15cm), 8" (20cm), 10" (25cm), and 12" (30cm) diameters. Bola Felt casts up to 1710 lumens of warm ambient light and is fully dimmable to set the ambiance.

## FIXTURE TYPE

Pendant

## LIGHT SOURCE

Custom integrated LED, high-output chip on board

## LIGHT CONTROL

Hard-wired, dimmable  
Compatible with TRIAC/ELV and 0-10V dimmers

## FEATURES

Adjustable Shade  
Acoustic Dampening  
Fully Dimmable  
Warm Dim

## SPECIFICATIONS

Voltage: 120V-277V 50/60Hz  
Power Consumption: 12W (24"), 20W (32"/42"/52")  
Color Temperature: 2700K-1800K (Warm Dim)  
Luminosity: 1100 Lumens (24"), 1710 Lumens (32",42",52")  
Luminaire efficacy: 65Lm/W(average)  
Color Rendition Index: 95 CRI  
50K hour lifespan  
Cable Length: 8.9' (2.7m) (Field cuttable)

## CERTIFICATIONS



## PRODUCT CODES

Bola Felt 24:	BOLA 24 FELT
Bola Felt 32:	BOLA 32 FELT
Bola Felt 42:	BOLA 42 FELT
Bola Felt 52:	BOLA 52 FELT

## PACKAGING WEIGHT AND DIMENSIONS

Bola Felt 24	8.75LBS 4KG	25" X 25" X 10" 64cm X 64cm X 25cm
Bola Felt 32	16.5LBS 7.5KG	35" X 35" X 10.5" 89cm X 89cm X 26.7cm
Bola Felt 42	21LBS 9KG	40" X 48" X 36" 101cm X 122cm X 91cm
Bola Felt 52	28.5LBS 13KG	40" X 48" X 36" 101cm X 122cm X 91cm

## NOTES

3000K and 2700K CCT Models Available Upon Request.  
Custom requests can be considered on volume orders.



## FINISHES

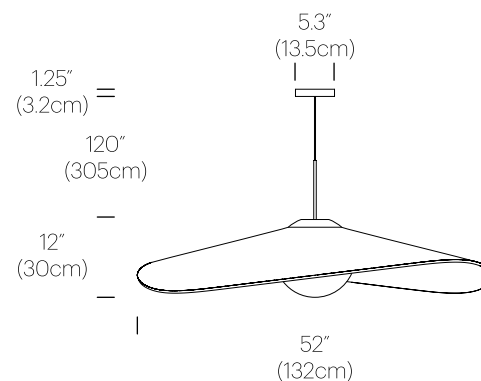
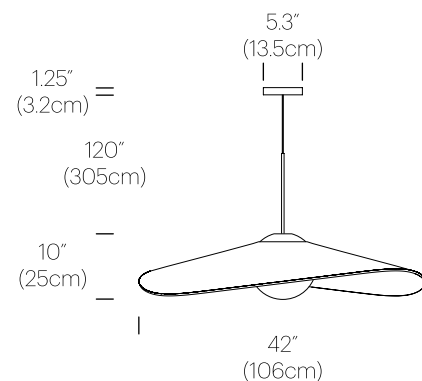
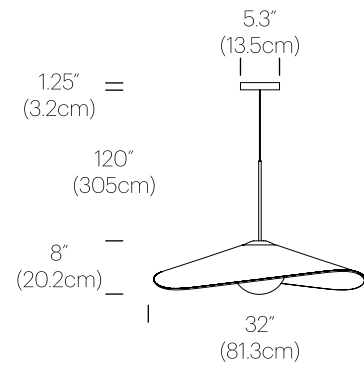
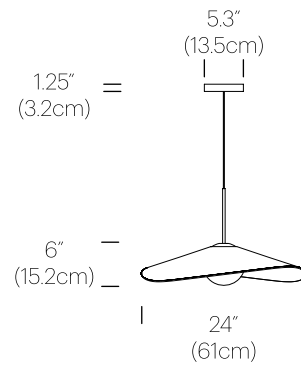
BOLA FELT



PEBBLE/  
GREY

## DIMENSIONS

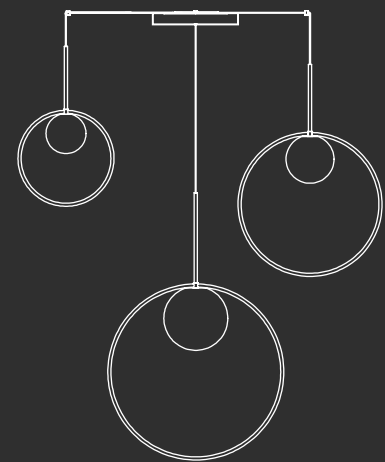
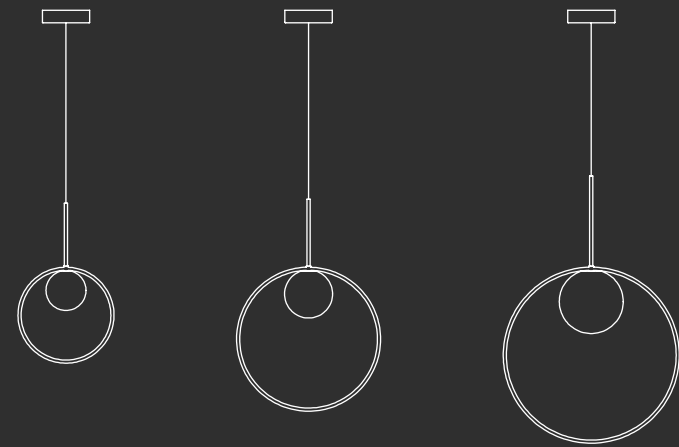
BOLA FELT 24, 32, 42, 52



# BOLA HALO

Taking its inspiration from pendant jewelry, Bola Halo is a uniquely expressive pendant light featuring a chromated ring that balances delicately over its elegant opal glass shade while allowing its surroundings to shine through. Available in 3 distinct sizes and 3 exquisitely polished stainless steel rings in chrome, brass, and rose gold. Bola Halo's ring is repositionable for orienting to any desired direction. Depending on size, Bola Halo provides up to 1710 lumens of warm ambient light and is fully dimmable, providing unparalleled illumination. Bola can be suspended independently or as striking chandelier groupings to set the mood residential, contract, and hospitality settings alike.

Designer:  
Pablo Pardo + Pablo Studio 2018





# BOLA HALO PENDANT

## DESCRIPTION

Taking its inspiration from pendant jewelry, Bola Halo is a uniquely expressive pendant light featuring a chromated ring that balances delicately over its elegant opal glass shade while allowing its surroundings to shine through. Available in 3 distinct sizes and 3 exquisitely polished stainless steel rings in chrome, brass, and rose gold. Bola Halo's ring is repositionable for orienting to any desired direction. Depending on size, Bola Halo provides up to 1710 lumens of warm ambient light and is fully dimmable, providing unparalleled illumination. Bola can be suspended independently or as striking chandelier groupings to set the mood residential, contract, and hospitality settings alike.

## FIXTURE TYPE

Pendant

## LIGHT SOURCE

Custom integrated LED, high-output chip on board

## LIGHT CONTROL

Hard-wired, dimmable  
Compatible with TRIAC/ELV and 0-10V dimmers

## FEATURES

Fully dimmable  
Warm Dim

## SPECIFICATIONS

Voltage: 120V-277V 50/60Hz  
Power Consumption: 6W (12"), 12W (18"), 20W (22")  
Color Temperature: 2700K-1800K (Warm Dim)  
Luminosity: 390 Lumens (12"), 1100 Lumens (18"), 1710 Lumens (22")  
Luminaire Efficacy: 65 Lm/W(average)  
Color Rendition Index: 95 CRI  
50K hour lifespan  
Cord Length: 8.9' (2.7m) (Field cuttable)

## CERTIFICATIONS



## PRODUCT CODES

Bola Halo 12 (Chrome):	BOLA HALO 12 CRM
Bola Halo 12 (Brass):	BOLA HALO 12 BRA
Bola Halo 12 (Rose Gold):	BOLA HALO 12 RGD
Bola Halo 18 (Chrome):	BOLA HALO 18 CRM
Bola Halo 18 (Brass):	BOLA HALO 18 BRA
Bola Halo 18 (Rose Gold):	BOLA HALO 18 RGD
Bola Halo 22 (Chrome):	BOLA HALO 22 CRM
Bola Halo 22 (Brass):	BOLA HALO 22 BRA
Bola Halo 22 (Rose Gold):	BOLA HALO 22 RGD

## PACKAGING WEIGHT AND DIMENSIONS

Bola 12 Halo	4LBS	13.25" X 13" X 7.25"
	1.8KG	34cm X 33cm X 18cm
Bola 18 Halo	5.7LBS	18" X 18" X 8.5"
	2.6KG	46cm X 46cm X 22cm
Bola 22 Halo	8.2LBS	22" X 22" X 10.5"
	3.7KG	56cm X 56cm X 27cm

## NOTES

3000K and 2700K CCT Models Available Upon Request.  
Custom requests can be considered on volume orders.



## FINISHES

BOLA HALO



BRASS



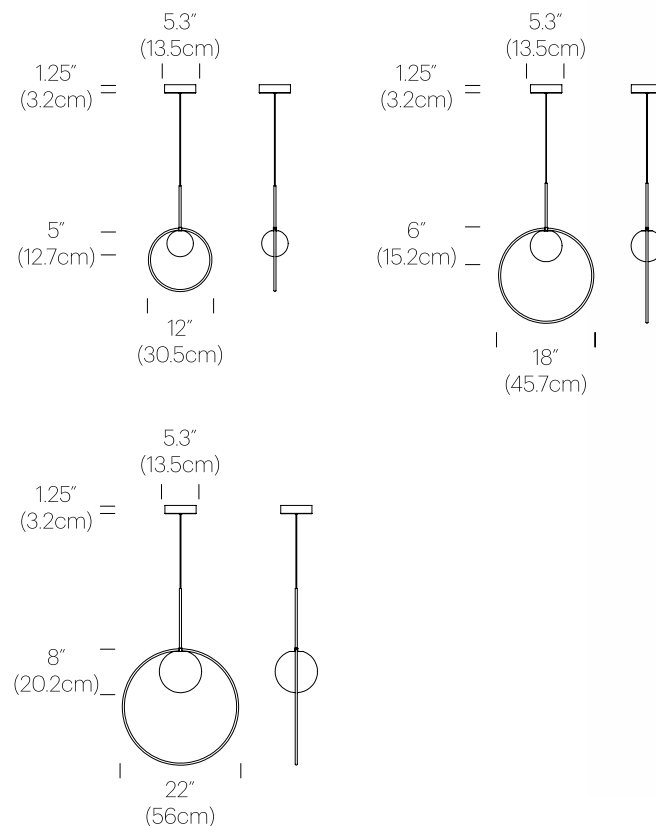
CHROME



ROSE GOLD

## DIMENSIONS

BOLA HALO 12, 18, 22



# BOLA HALO MULTI-LIGHT

## DESCRIPTION

Bola Halo's elegant ring and globe design can be suspended in a variety of custom arrangements in both round and linear configurations. With Bola Disc Multi-Light, up to 11 lamps can be grouped together in a variety of mixed disc sizes to form stunning luminaire displays. Both size and shape of the grouping is controlled by lamp quantity and positioning relative to the Multi-Light canopy. Swag mounts are provided to extend the lights out into space along with an ample cord length of 8.9' (2.7m) to offer a wide array of unique solutions.

## FIXTURE TYPE

Pendant

## LIGHT SOURCE

Custom integrated LED, high-output chip on board

## CERTIFICATIONS



## PRODUCT CODES

Multi-Light Canopy 9" (White):	BOLA CAN 9 WHT
Multi-Light Canopy 9" (Black):	BOLA CAN 9 BLK
Multi-Light Canopy 12" (White):	BOLA CAN 12 WHT
Multi-Light Canopy 12" (Black):	BOLA CAN 12 BLK

## PACKAGING WEIGHT AND DIMENSIONS

Multi-Light	2.6LBS	9.25" X 9.25" X 2.25"
Canopy Small	1.2KG	23.5cm X 23.5cm X 5.7cm
Multi-Light	5.7LBS	12.25" X 12.25" X 2.25"
Canopy Large	2.6KG	31cm X 31cm X 5.7cm

## NOTES

Custom requests can be considered on volume orders

BOLA HALO Multi-Light Canopy  
Small (Ø9" OD) Up to 6



or



BOLA HALO Multi-Light Canopy  
Large (Ø12" OD) 7 to 11



2, 3, 4, 5, 6... 11

## FINISHES

CANOPY



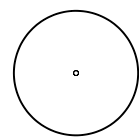
WHITE



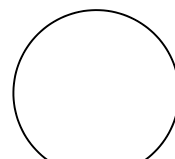
BLACK

## MULTI-LIGHT CANOPY DIMENSIONS

MULTI-LIGHT CANOPY SMALL, LARGE



9"  
(22.8cm)



12"  
(30.5cm)

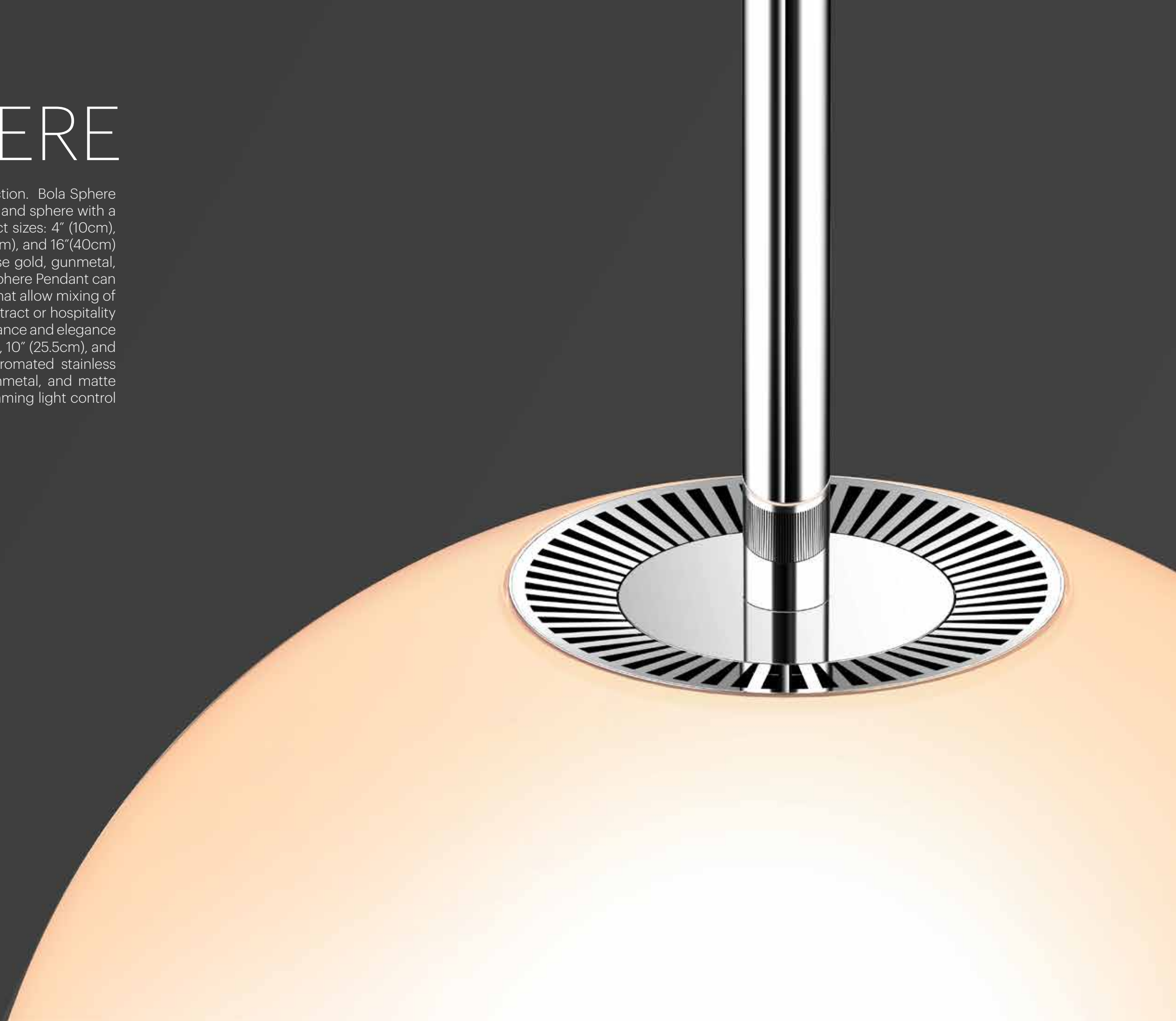
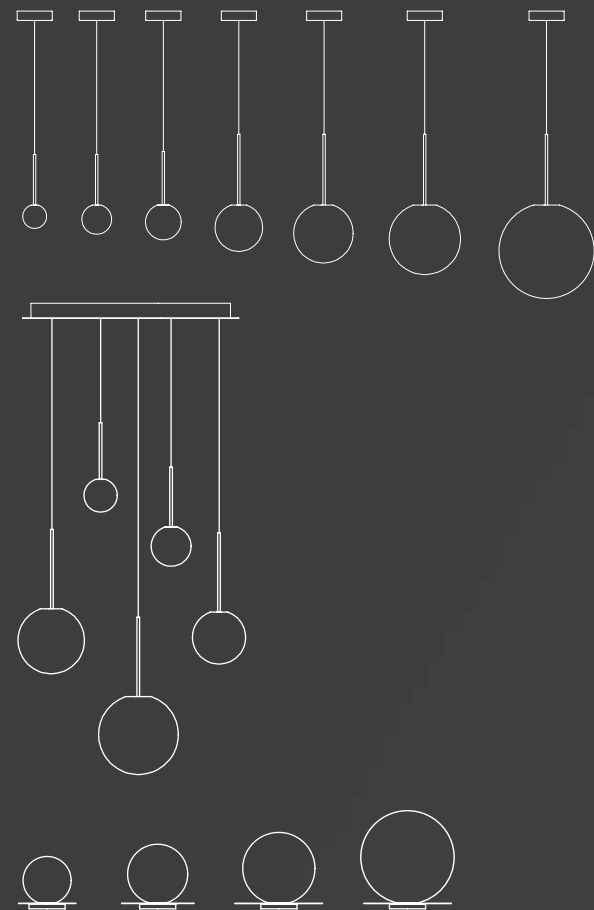




# BOLA SPHERE

Bola Sphere is the basic foundation of the Bola Collection. Bola Sphere Pendant features an elemental interplay between post and sphere with a seductive opal blown glass shade available in 7 distinct sizes: 4" (10cm), 5" (13cm), 6" (15cm), 8" (20cm), 10" (25.5cm), 12" (30.5cm), and 16" (40cm) paired with a polished steel post in chrome, brass, rose gold, gunmetal, and matte black finishes with mating canopies. Bola Sphere Pendant can also be suspended in exquisite Chandelier groupings that allow mixing of globe sizes for stunning displays in any residential, contract or hospitality settings alike. The Bola Sphere Table brings equal ambiance and elegance to a table surface combining 3 Globe sizes: 8" (20cm), 10" (25.5cm), and 12" (30.5cm) diameters paired with proportioned chromated stainless steel disc reflectors in chrome, brass, rose gold, gunmetal, and matte black finishes. Bola Sphere Table offers full range dimming light control to create the perfect setting for bedside or living areas.

Designer:  
Pablo Pardo + Pablo Studio 2019



# BOLA SPHERE

## DESCRIPTION

The Bola Sphere pendant is the basic foundation of the Bola Collection, featuring an elemental interplay between post and sphere. Its seductive opal blown glass shade is available 7 distinct sizes (4" (10cm), 5" (13cm), 6" (15cm), 8" (20cm), 10" (25.5cm), 12" (30.5cm), and 16" (40cm) paired with a chromated stainless steel post in chrome, brass, rose gold, gunmetal, and matte black with mating canopies. Bola Sphere is also available in exquisite chandelier groupings that allow mixing of globe sizes for stunning displays in any residential, contract or hospitality settings alike.

## FIXTURE TYPE

Pendant

## LIGHT SOURCE

Custom integrated LED, high-output chip on board

## LIGHT CONTROL

Hard-wired, dimmable - Compatible with TRIAC/ELV and 0-10V dimmers

## FEATURES

Fully Dimmable  
Warm Dim

## SPECIFICATIONS

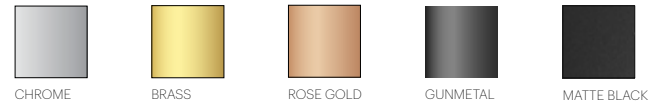
Voltage: 120V-277V 50/60Hz  
Power Consumption: 6W (4", 5"), 12W (6"), 20W (8", 10", 12", 16")  
Color Temperature: 2700K-1800K (Warm Dim)  
Luminosity: 390 Lumens (4", 5"), 1100 Lumens (6"), 1710 Lumens (8", 10", 12", 16")  
Luminaire Efficacy: 65 Lm/W(average)  
Color Rendition Index: 95 CRI  
50K hour lifespan  
Cord Length: 8.9' (2.7m) (Field cuttable)

## CERTIFICATIONS



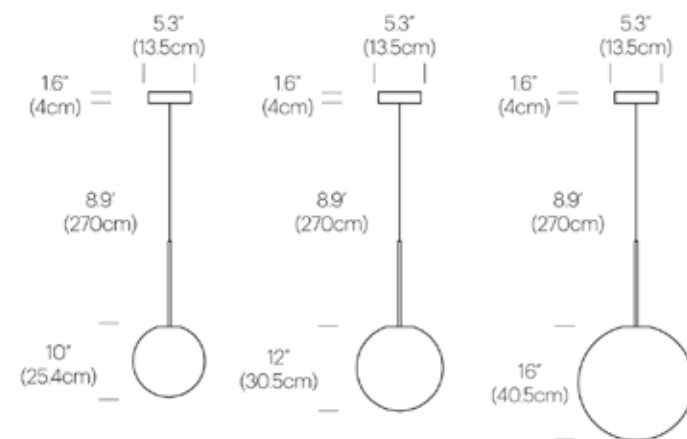
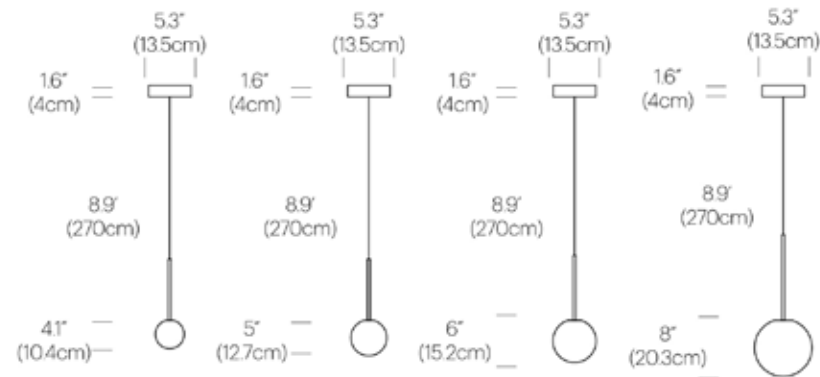
## FINISHES

### BOLA SPHERE



## DIMENSIONS

BOLA SPHERE 4, 5, 6, 8, 10, 12, 16



## PRODUCT CODES (ENTER GLOBE SIZE IN BLANK SPACE)

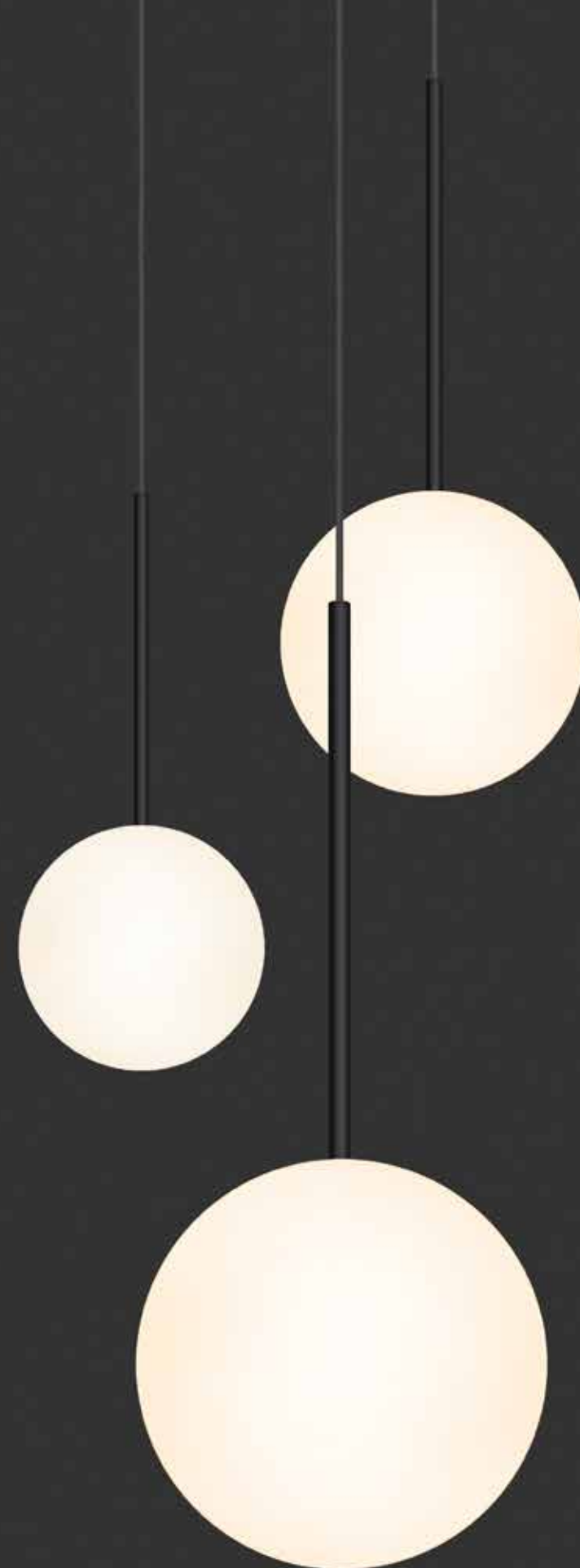
Bola Sphere __ (Chrome):	BOLA SPH __ CRM
Bola Sphere __ (Brass):	BOLA SPH __ BRA
Bola Sphere __ (Rose Gold):	BOLA SPH __ RGD
Bola Sphere __ (Gunmetal):	BOLA SPH __ GUN
Bola Sphere __ (Matte Black):	BOLA SPH __ BLK

## PACKAGING WEIGHT AND DIMENSIONS

Bola Sphere 4	2.6LBS 1.2KG	10" X 9" X 8.5" 25cm X 23cm X 22cm
Bola Sphere 5	3LBS 1.4KG	10" X 9" X 8.5" 25cm X 23cm X 22cm
Bola Sphere 6	3.5LBS 1.6KG	11.5" X 9" X 10.5" 29cm X 23cm X 27cm
Bola Sphere 8	5LBS 2.28KG	12" X 12" X 12.25" 30cm X 30cm X 31cm
Bola Sphere 10	5.5LBS 2.5KG	14" X 14" X 16.5" 36cm X 36cm X 42cm
Bola Sphere 12	7.2LBS 3.3KG	18" X 18" X 18" 46cm X 46cm X 46cm
Bola Sphere 16	8LBS 3.6KG	20" X 20" X 20" 50cm X 50cm X 50cm

## NOTES

3000K and 2700K CCT Models Available Upon Request.  
Custom requests can be considered on volume orders



# BOLA SPHERE FLUSH

## DESCRIPTION

Flush mount versions are available in the full range of Bola globe sizes (4", 5", 6", 8", 10", 12", 16") paired with up to 4 premium canopy finishes. Lamps can be grouped in multi-axis configurations and sizes to provide delightful dots of illumination throughout any space.

## FIXTURE TYPE

Wall/Ceiling

## LIGHT SOURCE

Custom integrated LED, high-output chip on board

## LIGHT CONTROL

Hard-wired, dimmable - Compatible with TRIAC/ELV and 0-10V dimmers

## FEATURES

Fully Dimmable  
Warm Dim

## SPECIFICATIONS

Voltage: 120V-277V 50/60Hz  
Power Consumption: 6W (4", 5"), 12W (6"), 20W (8", 10", 12", 16")  
Color Temperature: 2700K-1800K (Warm Dim)  
Luminosity: 390 Lumens (4", 5"), 1100 Lumens (6"), 1710 Lumens (8", 10", 12", 16")  
Luminaire Efficacy: 65 Lm/W(average)  
Color Rendition Index: 95 CRI  
50K hour lifespan

## CERTIFICATIONS



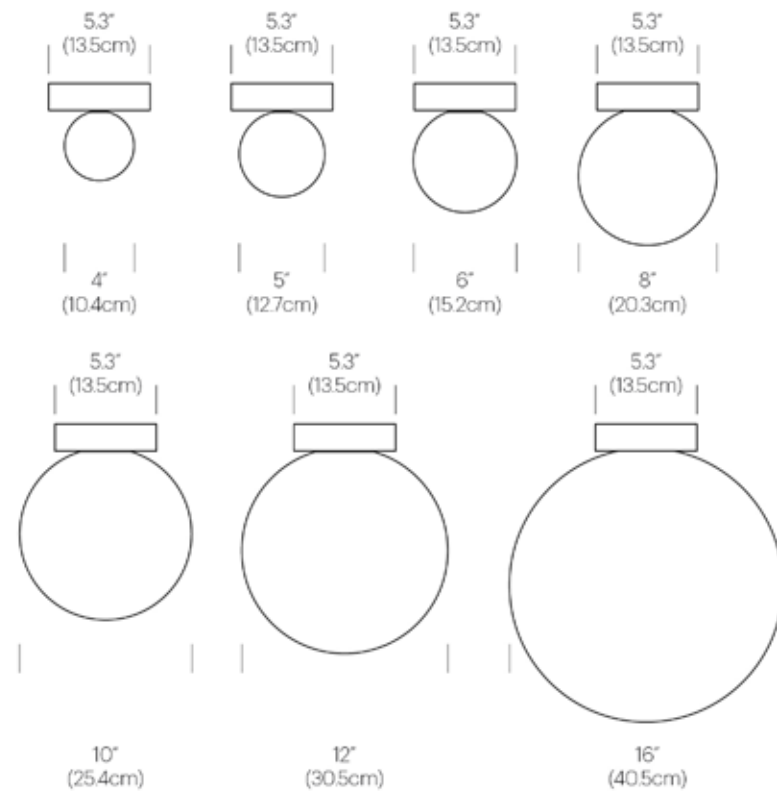
## FINISHES

### BOLA SPHERE FLUSH



## DIMENSIONS

BOLA SPHERE FLUSH 4, 5, 6, 8, 10, 12, 16



## PRODUCT CODES (ENTER GLOBE SIZE IN BLANK SPACE)

Bola Sphere Flush ___ (Chrome):	BOLA SPH FSH ___ CRM
Bola Sphere Flush ___ (Brass):	BOLA SPH FSH ___ BRA
Bola Sphere Flush ___ (Matte Black):	BOLA SPH FSH ___ BLK
Bola Sphere Flush ___ (Matte White):	BOLA SPH FSH ___ WHT

## PACKAGING WEIGHT AND DIMENSIONS

Bola Sphere 4	2.6LBS 1.2KG	10" X 9" X 8.5" 25cm X 23cm X 22cm
Bola Sphere 5	3LBS 1.4KG	10" X 9" X 8.5" 25cm X 23cm X 22cm
Bola Sphere 6	3.5LBS 1.6KG	11.5" X 9" X 10.5" 29cm X 23cm X 27cm
Bola Sphere 8	5LBS 2.28KG	12" X 12" X 12.25" 30cm X 30cm X 31cm
Bola Sphere 10	5.5LBS 2.5KG	14" X 14" X 16.5" 36cm X 36cm X 42cm
Bola Sphere 12	7.2LBS 3.3KG	18" X 18" X 18" 46cm X 46cm X 46cm
Bola Sphere 16	8LBS 3.6KG	20" X 20" X 20" 50cm X 50cm X 50cm

## NOTES

3000K and 2700K CCT Models Available Upon Request.  
Custom requests can be considered on volume orders





# BOLA SPHERE CHANDELIER

## DESCRIPTION

The Bola Sphere pendant chandelier is the basic foundation of the Bola Collection, featuring an elemental interplay between post and sphere. Its seductive opal blown glass shade is available 7 distinct sizes (4" (10cm), 5" (13cm), 6" (15cm), 8" (20cm), 10" (25.5cm), 12" (30.5cm), and 16" (40cm) paired with a chromated stainless steel post in chrome, brass, rose gold, gunmetal, and matte black. Two sizes of canopy are available to accommodate Bola Sphere is also available in exquisite Chandelier groupings that allow mixing of globe sizes for stunning displays in any residential, contract or hospitality setting alike.

## FIXTURE TYPE

Pendant

## LIGHT SOURCE

Custom integrated LED, high-output chip on board

## LIGHT CONTROL

Hard-wired, dimmable  
Compatible with TRIAC/ELV and 0-10V dimmers

## FEATURES

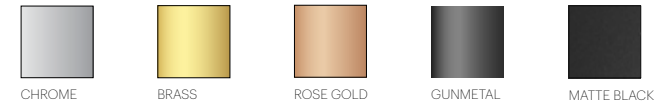
Fully Dimmable  
Warm Dim

## CERTIFICATIONS



## FINISHES

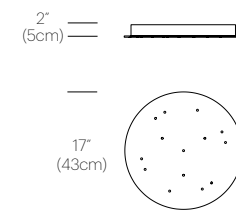
### BOLA SPHERE



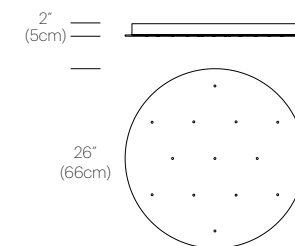
## DIMENSIONS

CHANDELIER CANOPY 17", 26"

### CHANDELIER CANOPY 17"



### CHANDELIER CANOPY 26"



## PRODUCT CODES

17" Chandelier Canopy:	CHND CAN 17
26" Chandelier Canopy:	CHND CAN 26

## PACKAGING WEIGHTS AND DIMENSIONS

Chandelier canopy 17":	15LBS	22" X 22" X 6"
	6.8KGS	56cm X 56cm X 15cm
Chandelier canopy 26":	30LBS	32" X 32" X 6"
	13.6KGS	81cm X 81cm X 15cm

## NOTES

Custom requests can be considered on volume orders



# BOLA SPHERE TABLE

## DESCRIPTION

The Bola Sphere Table series fuses an elegant blown opal glass sphere with a mirrored disc base in polished stainless steel to give the illusion of a floating orb in space. Taking its cues from the Bola Family Collection, the new table version brings this magical combination to a table surface, allowing for full range dimming and is available in 3 distinct globe sizes: 8" (20cm), 10" (25.5cm), and 12" (30.5cm). Its mating base is available in 3 corresponding diameters: 9.5" (24cm), 12" (30.5cm), and 14" (36cm) in 4 exquisite finishes: chrome, brass, rose gold and gunmetal. Each finish provides a distinct personality for any residential, contract, or hospitality environment. Now available with larger 16" (40cm) globe!

## FIXTURE TYPE

Table

## LIGHT SOURCE

(1) A19 9.5W LED bulb (US)

(1) A60 E27 8.5W LED bulb (EU)

## LIGHT CONTROL

In-line dimmer

## SPECIFICATIONS

Voltage: 120V or 240V, 50/60Hz

Power Consumption:

LED Warm Dim Bulb: 9.5W (60W equivalent)

Color Temperature: 2700 - 2200K

Luminosity: 800 Lumens

Luminaire Efficacy: 84 Lumens/Watt MAX

Cord Length: 6' (1.8m)

## CERTIFICATION



## PRODUCT CODES

Bola Sphere Table 8 (Chrome):	BOLA SPH TBL 8 CRM
Bola Sphere Table 8 (Brass):	BOLA SPH TBL 8 BRA
Bola Sphere Table 8 (Rose Gold):	BOLA SPH TBL 8 RGD
Bola Sphere Table 8 (Gunmetal):	BOLA SPH TBL 8 GUN
Bola Sphere Table 8 (Matte black):	BOLA SPH TBL 8 BLK
Bola Sphere Table 10 (Chrome):	BOLA SPH TBL 10 CRM
Bola Sphere Table 10 (Brass):	BOLA SPH TBL 10 BRA
Bola Sphere Table 10 (Rose Gold):	BOLA SPH TBL 10 RGD
Bola Sphere Table 10 (Gunmetal):	BOLA SPH TBL 10 GUN
Bola Sphere Table 10 (Matte black):	BOLA SPH TBL 10 BLK
Bola Sphere Table 12 (Chrome):	BOLA SPH TBL 12 CRM
Bola Sphere Table 12 (Brass):	BOLA SPH TBL 12 BRA
Bola Sphere Table 12 (Rose Gold):	BOLA SPH TBL 12 RGD
Bola Sphere Table 12 (Gunmetal):	BOLA SPH TBL 12 GUN
Bola Sphere Table 12 (Matte black):	BOLA SPH TBL 12 BLK
Bola Sphere Table 16 (Brass):	BOLA SPH TBL 16 BRA
Bola Sphere Table 16 (Rose Gold):	BOLA SPH TBL 16 RGD
Bola Sphere Table 16 (Gunmetal):	BOLA SPH TBL 16 GUN
Bola Sphere Table 16 (Matte black):	BOLA SPH TBL 16 BLK

## PACKAGING WEIGHTS AND DIMENSIONS

BOLA SPH 8:	4LBS	10" X 10" X 14.5"
	1.8KGS	25cm X 25cm X 37cm
BOLA SPH 10:	4.2LBS	13" X 13" X 18"
	1.9KGS	33cm X 33cm X 46cm
BOLA SPH 12:	5.2LBS	16" X 16" X 21"
	2.4KGS	40cm X 40cm X 53cm
BOLA SPH 16:	COMING SOON	

## NOTES

Custom requests can be considered on volume orders



## FINISHES

BOLA SPHERE



CHROME



BRASS



ROSE GOLD



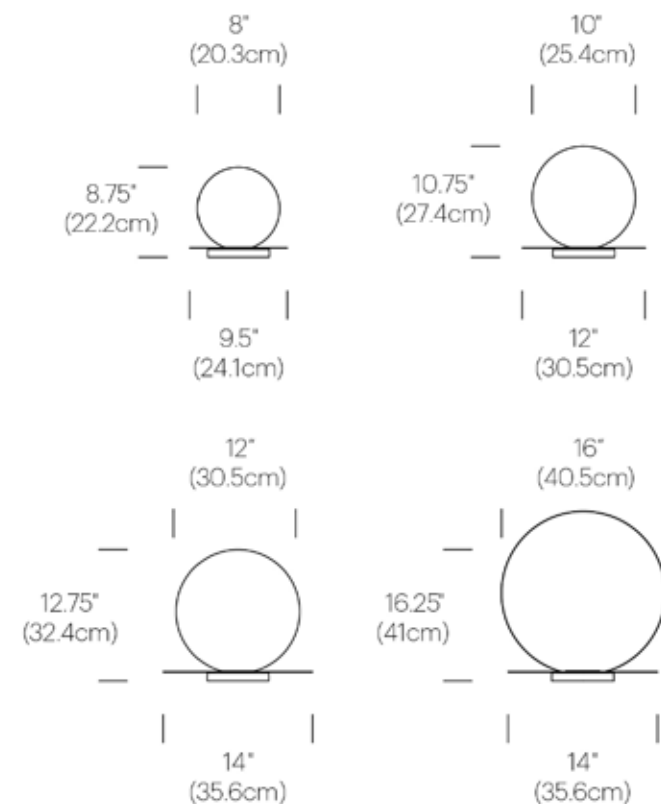
GUNMETAL



MATTE BLACK

## DIMENSIONS

BOLA SPHERE TABLE 8, 10, 12, 16

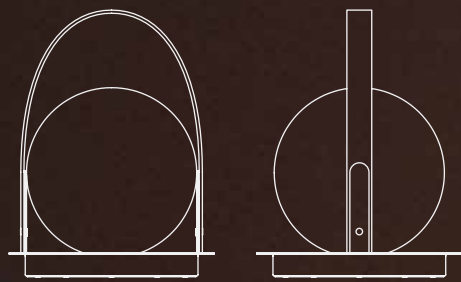




# BOLA LANTERN

Based on the Bola Sphere Table 8, the Bola Lantern adds a premium leather handle and a rechargeable battery that enables a level of portability new to the Bola Family. Bola Lantern's size and stature give a sense of presence that is unfound with portables, while maintaining the lightness associated with the floating orbs that are Bola. Discs are available in chrome, brass, gunmetal, and matte black. The leather handles are available in a natural vegetable tanned leather and black. Battery life ranges from 10 - 400 hours depending on light intensity. Bola Lantern produces 280 lumens of warm ambient light.

Designer:  
Pablo Pardo + Pablo Studio 2021



# BOLA LANTERN

## DESCRIPTION

Based on the Bola Sphere Table 8, the Bola Lantern adds a premium leather handle and a rechargeable battery that enables a level of portability new to the Bola Family. Bola Lantern's size and stature gives a sense of presence that's unfound with portables, while maintaining the lightness associated with the floating orbs that are Bola. Discs are available in brass, chrome, gunmetal, and matte black. The leather handles are available in natural vegetable tanned leather and black.

## FIXTURE TYPE

Portable

## LIGHT SOURCE

LED High-output Chip-on-board

## LIGHT CONTROL

Mechanical push button  
Full-range dimming (100-10%)  
4-stage dimming (100/40/20/3%)

## FEATURES

Portable and rechargeable  
10-400hr Battery life  
USB Charging cable included  
Warm Dim  
Surface mount

## SPECIFICATIONS

Voltage: 120V or 240V, 50/60Hz  
Power Consumption: 3.2W  
Color Temperature: 2700-1800K (warm dim)  
Luminosity: 280 Lumens  
Luminaire Efficacy: 87.5 Lumens/Watt MAX  
Cord Length: 6' (1.8m)  
IP Rating: IP20  
6 hr Charge time (using 10W power plug, not included)

## CERTIFICATION



## FINISHES

### DISC



BRASS



CHROME



GUNMETAL



MATTE BLACK

### LEATHER HANDLE



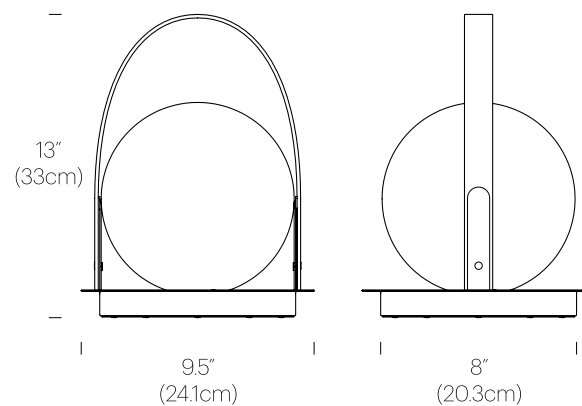
VEG TAN



BLACK

## DIMENSIONS

### BOLA LANTERN



## PRODUCT CODES

Bola Lantern (Black/Gunmetal):	BOLA LTN GUN BLK
Bola Lantern (Black/Matte black):	BOLA LTN BLK BLK
Bola Lantern (Black/Brass):	BOLA LTN BRA BLK
Bola Lantern (Tan/Brass):	BOLA LTN BRA TAN
Bola Lantern (Tan/Matte black):	BOLA LTN BLK TAN
Bola Lantern (Tan/Chrome):	BOLA LTN CRM TAN

## PACKAGING WEIGHTS AND DIMENSIONS

Bola Lantern:	4LBS	10" X 10" X 14.5"
	1.8KGS	25cm X 25cm X 37cm

## NOTES

Custom requests can be considered on volume orders





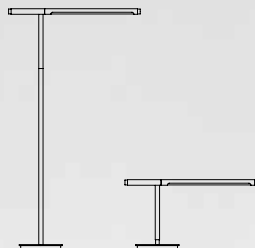


# BRAZO

Fusing breakthrough LED technology with a uniquely tactile and calibrated light control experience, Brazo is an intelligent, precise and effortlessly adjustable task lamp. A user can tune it to any beam spread, brightness and direction, controlling the volume and focus of light. The aluminum shade on the lamp's arm enables much of this adjustability, enabling the user to fluidly dial it around the light source to guide the beam in any direction. Although suitable for any environment, the versatility and 360° adjustability offered in its minimal frame makes Brazo ideal for use in work environments. Brazo transforms from table to floor model with a simple extension post and ships flat-packed for easy transport.

Designer:  
Pablo Pardo 2007/2008

Awards:  
[2008 IDEA Gold Award](#)  
[2007 Best of Neocon Gold](#)



# BRAZO TABLE

## DESCRIPTION

Brazo's precision machined aluminum construction allows for optimal task lighting control with 360° adjustability and 90° tilt. Brazo features a luminous and energy-efficient LED light source which can be dialed to any desired beam-spread and brightness depending on the task.

## FIXTURE TYPE

Table

## LIGHT SOURCE

(108x) High output LED array

## LIGHT CONTROL

Full range dim (rotary dimmer)

## FEATURES

- 360° arm rotation
- 90° arm tilt
- Calibrated light focus control
- Height adjustable
- Advanced LED array eliminates multiple shadows
- Ships flat-packed
- 97% recyclable

## SPECIFICATIONS

- Voltage: 120-240V 50-60Hz
- Power Consumption: 9W
- Color temperature: 3000K
- Luminosity: 450 Lumens
- Luminaire efficacy: 50 Lumens/Watt
- Color Rendition Index: 85 CRI
- Title 20 compliant
- 50K hour lifespan
- Cable length: 8' (244cm)
- Global multi-plug adapter available

## CERTIFICATIONS



## PRODUCT CODES

Brazo Table (Silver):	BRAZ TBL SLV
Brazo Table (Black):	BRAZ TBL BLK
Brazo Table (White):	BRAZ TBL WHT

## PACKAGING WEIGHT AND DIMENSIONS

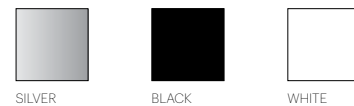
BRAZO TABLE:	14.2LBS	39" X 11" X 5"
	6.4KGS	99cm X 28cm X 13cm

## NOTES

Custom requests can be considered on volume orders

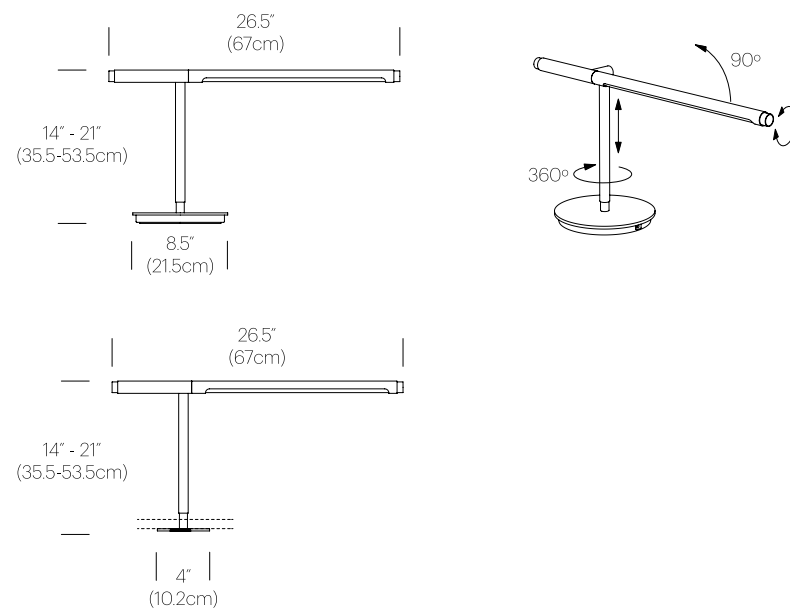


## FINISHES



## DIMENSIONS

### BRAZO TABLE



SURFACE MOUNT AVAILABLE FOR 118" (3cm), 2" (5cm) AND 3" (7.5cm) WORKSURFACES



# BRAZO FLOOR

## DESCRIPTION

Brazo's precision machined aluminum construction allows for optimal task lighting control with 360° adjustability and 90° tilt. Brazo features a luminous and energy-efficient LED light source which can be dialed to any desired beam-spread and brightness depending on the task.

## FIXTURE TYPE

Floor

## LIGHT SOURCE

(108x) High output LED array

## LIGHT CONTROL

Full range dim (rotary dimmer)

## FEATURES

- 360° arm rotation
- 90° arm tilt
- Calibrated light focus control
- Height adjustable
- Advanced LED array eliminates multiple shadows
- Ships flat-packed
- 97% recyclable

## SPECIFICATIONS

- Voltage: 120-240V 50-60Hz
- Power Consumption: 9W
- Color temperature: 3000K
- Luminosity: 450 Lumens
- Luminaire efficacy: 50 Lumens/Watt
- Color Rendition Index: 85 CRI
- Title 20 compliant
- 50K hour lifespan
- Cable length: 8' (244cm)
- Global multi-plug adapter available

## CERTIFICATIONS



## PRODUCT CODES

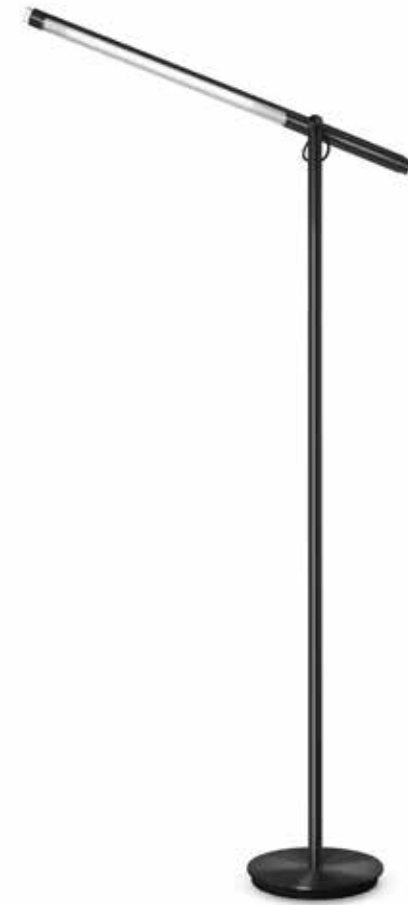
Brazo Floor (Silver):	BRAZ FLR SLV
Brazo Floor (Black):	BRAZ FLR BLK
Brazo Floor (White):	BRAZ FLR WHT

## PACKAGING WEIGHT AND DIMENSIONS

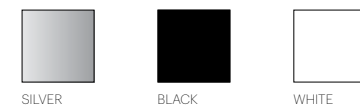
BRAZO FLOOR:	15.55LBS	39" X 11" X 5"
	7.1KGS	99cm X 28cm X 13cm

## NOTES

Custom requests can be considered on volume orders

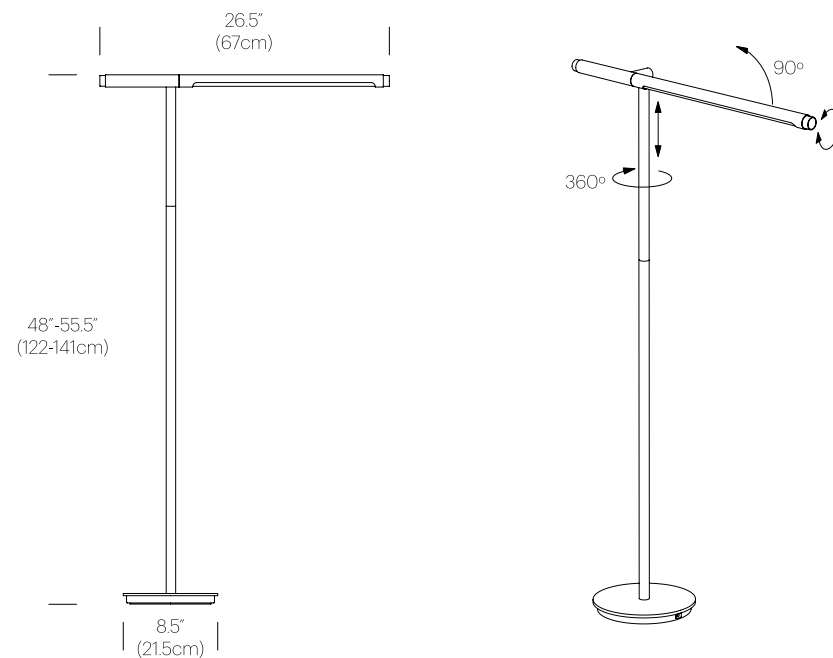


## FINISHES



## DIMENSIONS

BRAZO FLOOR



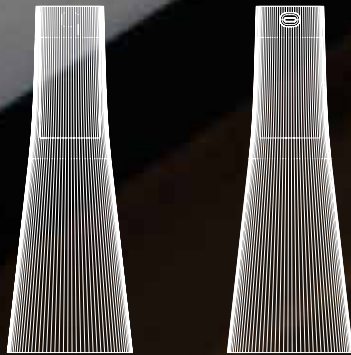


# CANDÉL

Inspired by a cone of light, Candél's graceful vessel-like silhouette is in perfect harmony with its surroundings allowing the environment to filter through. Candél casts a warm, intimate candle-like glow that's sure to seduce and become the central focus of any social gathering. Candél is a fully rechargeable portable LED light designed for both indoors and outdoors. Features a robust PMMA body in clear, bronze, or smoked tint combined with a striking anodized aluminum light module that offers capacitive touch light control to provide up to 4 light levels to set the perfect ambiance. Battery life ranges from 10 to 150+ hours depending on light intensity.

Designer:  
Pablo Pardo + Pablo Studio 2020

Awards:  
2020 Hospitality Design Product Award  
2021 International Design Award





# CANDÉL

## DESCRIPTION

Candél is a fully rechargeable portable LED light designed for both indoors and outdoors. Features a robust PMMA body in clear, bronze, or smoked tint combined with a striking anodized aluminum light and battery module that features capacitive touch technology for adjusting light intensity. Battery life: 10-150+ hours depending on light intensity.

## FIXTURE TYPE

Portable

## LIGHT SOURCE

LED High-Output chip on board

## LIGHT CONTROL

Capacitive touch switch  
4-stage dimming (100/70/30/7%)

## FEATURES

Portable and rechargeable  
10-150+hr battery life  
USB-C charging cable included

## SPECIFICATIONS

Power Consumption: 1.5W  
Color Temperature: 2500-1800K (Warm Dim)  
Luminosity: 100 Lumens  
Luminaire Efficacy: 67 Lumens/Watt  
Color Rendition Index: 94 CRI  
Cable length: 6' (183cm)  
3 hr Charge time (using 10W power plug, not included)  
IP54 damp rated

## CERTIFICATIONS



## FINISHES

CANDÉL



CLEAR/SILVER



CLEAR/WHITE



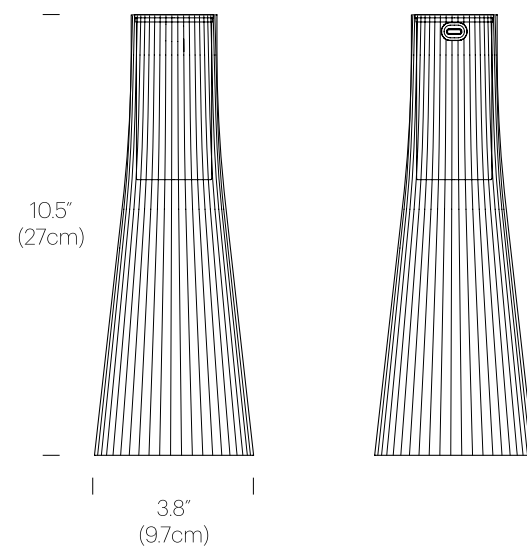
SMOKE/BLACK



BRONZE/BRASS

## DIMENSIONS

CANDÉL



## PRODUCT CODES

Candél (Silver/Clear):	CAND CLR
Candél (Brass/Bronze):	CAND BRZ
Candél (White/Clear):	CAND WHT
Candél (Black/Smoke):	CAND BLK

## PACKAGING WEIGHTS AND DIMENSIONS

Candél:	1.5LBS	4" X 11.8"
	.68KGS	10cm X 30cm

## NOTES

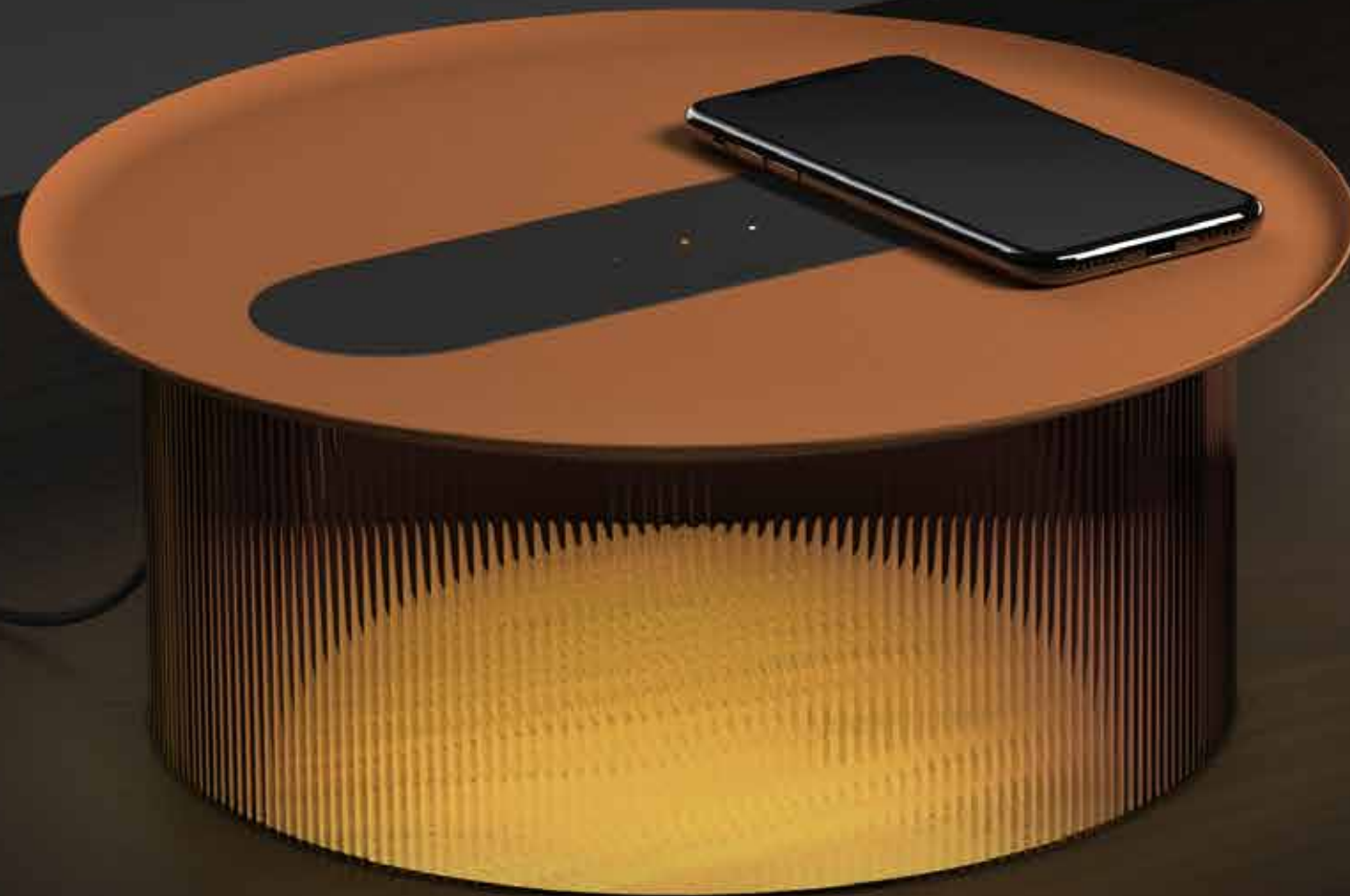
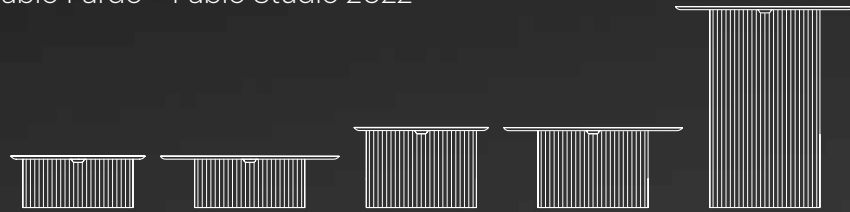
Custom requests can be considered on volume orders



# CAROUSEL

Carousel blurs the line between ambiance and utility combining a low setting wireless charging tray surface for your mobile devices with warm, glare-free illumination. It's low profile LED light module is discreetly concealed below its mating tray and suspended atop a transparent fluted acrylic cylinder diffuser that radiates mesmerizing light patterns onto the table surface below. Perfectly suited for desktop or bedside use, Carousel embodies a uniquely hybrid perspective on what a personal light can be. The base diffuser is offered in both clear and bronze tint and can be paired with a spun steel tray in matte white, terra cotta, and black finishes.

Designer:  
Pablo Pardo + Pablo Studio 2022





# CAROUSEL TABLE

## DESCRIPTION

Carousel blurs the line between ambiance and utility combining a low setting wireless charging tray surface for your mobile devices with warm, glare-free illumination. It's low profile LED light module is discreetly concealed below its mating tray and suspended atop a transparent fluted acrylic cylinder diffuser that radiates mesmerizing light patterns onto the table surface below. Perfectly suited for desktop or bedside use, Carousel embodies a uniquely hybrid perspective on what a personal light can be. The base diffuser is offered in both clear and bronze tint and can be paired with a spun steel tray in White, Terracotta, and Black.

## FIXTURE TYPE

Table

## LIGHT SOURCE

Flat Panel LED

## LIGHT CONTROL

Capacitive touch switch (3-stage dimming 100/40/10%)

## FEATURES

Wireless charging w/ indicator light (2)  
USB-C charging port

## SPECIFICATIONS

Voltage: 120-240V 50/60Hz  
Power Consumption: 7W  
Color Temperature: 2700-2200K  
Luminosity: 280 Lumens  
Luminaire Efficacy: 40 Lumens/Watt  
Color Rendition Index: 90 CRI  
Cable length: 6' (183cm)

## CERTIFICATIONS



## PRODUCT CODES

Carousel Table Small 12 (Black/Bronze):	CARO SML BRZ 12 BLK
Carousel Table Small 12 (Black/Clear):	CARO SML CLR 12 BLK
Carousel Table Small 12 (White/Bronze):	CARO SML BRZ 12 WHT
Carousel Table Small 12 (White/Clear):	CARO SML CLR 12 WHT
Carousel Table Small 12 (Terracotta/Bronze):	CARO SML BRZ 12 TER
Carousel Table Small 12 (Terracotta/Clear):	CARO SML CLR 12 TER
Carousel Table Small 16 (Black/Bronze):	CARO SML BRZ 16 BLK
Carousel Table Small 16 (Black/Clear):	CARO SML CLR 16 BLK
Carousel Table Small 16 (White/Bronze):	CARO SML BRZ 16 WHT
Carousel Table Small 16 (White/Clear):	CARO SML CLR 16 WHT
Carousel Table Small 16 (Terracotta/Bronze):	CARO SML BRZ 16 TER
Carousel Table Small 16 (Terracotta/Clear):	CARO SML CLR 16 TER
Carousel Table Large 12 (Black/Bronze):	CARO LRG BRZ 12 BLK
Carousel Table Large 12 (Black/Clear):	CARO LRG CLR 12 BLK
Carousel Table Large 12 (White/Bronze):	CARO LRG BRZ 12 WHT
Carousel Table Large 12 (White/Clear):	CARO LRG CLR 12 WHT
Carousel Table Large 12 (Terracotta/Bronze):	CARO LRG BRZ 12 TER
Carousel Table Large 12 (Terracotta/Clear):	CARO LRG CLR 12 TER
Carousel Table Large 16 (Black/Bronze):	CARO LRG BRZ 16 BLK
Carousel Table Large 16 (Black/Clear):	CARO LRG CLR 16 BLK
Carousel Table Large 16 (White/Bronze):	CARO LRG BRZ 16 WHT
Carousel Table Large 16 (White/Clear):	CARO LRG CLR 16 WHT
Carousel Table Large 16 (Terracotta/Bronze):	CARO LRG BRZ 16 TER
Carousel Table Large 16 (Terracotta/Clear):	CARO LRG CLR 16 TER

## PACKAGING WEIGHTS AND DIMENSIONS

Carousel Table SM:	1LBS	11" X 11" X 5.5"
(Base)	.45KG	28cm X 28cm X 14cm
Carousel Table:	2LBS	13" X 13" X 1.5"
(12" Tray and Module)	.9KG	33cm X 33cm X 3.8cm
Carousel Table LG:	1.5LBS	6" X 6" X 15.75"
(Base)	7KG	15cm X 15cm X 40cm
Carousel Table:	5LBS	17" X 17" X 1.5"
(16" Tray and Module)	2.25KG	43cm X 43cm X 4cm

## NOTES

Custom requests can be considered on volume orders

65 **Pablo**

AVAILABLE GLOBALLY



## FINISHES

### DIFFUSER



CLEAR



BRONZE

### TRAY



TERRACOTTA



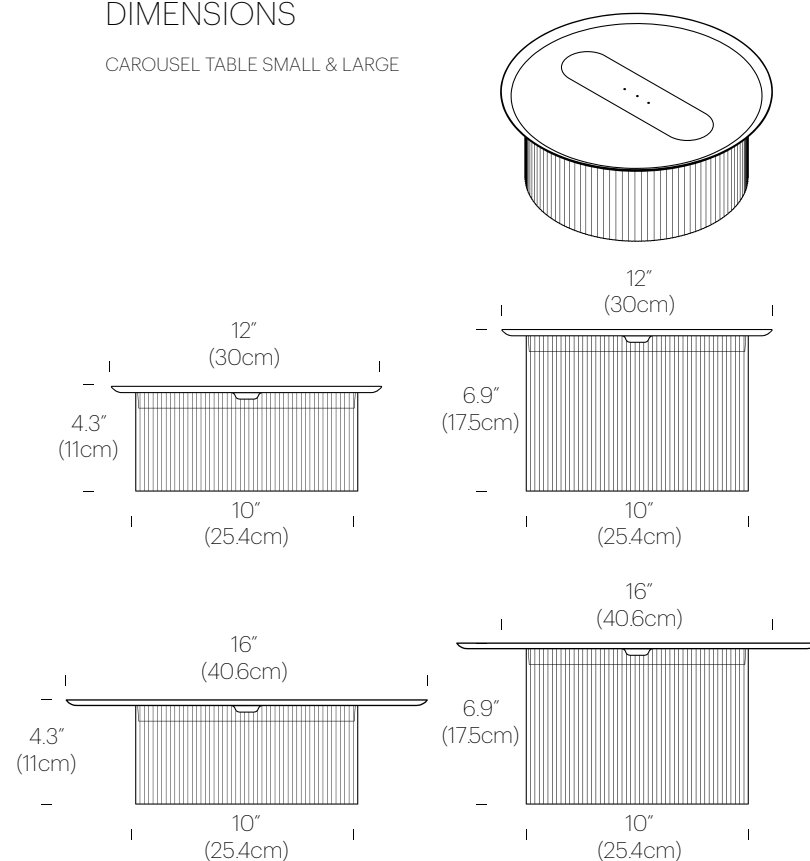
WHITE



BLACK

## DIMENSIONS

### CAROUSEL TABLE SMALL & LARGE



**Pablo** 66





# CAROUSEL FLOOR

## DESCRIPTION

Carousel blurs the line between ambiance and utility combining a low setting wireless charging tray surface for your mobile devices with warm, glare-free illumination. It's low profile LED light module is discreetly concealed below its mating tray and suspended atop a transparent fluted acrylic cylinder diffuser that radiates mesmerizing light patterns onto the table surface below. Perfectly suited for desktop or bedside use, Carousel embodies a uniquely hybrid perspective on what a personal light can be. The base diffuser is offered in both clear and bronze tint and can be paired with a spun steel tray in White, Terracotta, and Black.

## FIXTURE TYPE

Floor

## LIGHT SOURCE

Flat Panel LED

## LIGHT CONTROL

Capacitive touch switch (3-stage dimming 100/40/10%)

## FEATURES

Wireless charging w/ indicator light (2)  
USB-C charging port

## SPECIFICATIONS

Voltage: 120-240V 50/60Hz  
Power Consumption: 7W  
Color Temperature: 2700-2200K  
Luminosity: 280 Lumens  
Luminaire Efficacy: 40 Lumens/Watt  
Color Rendition Index: 90 CRI  
Cable length: 6' (183cm)

## CERTIFICATIONS



## FINISHES

### DIFFUSER



CLEAR



BRONZE

### TRAY



TERRACOTTA



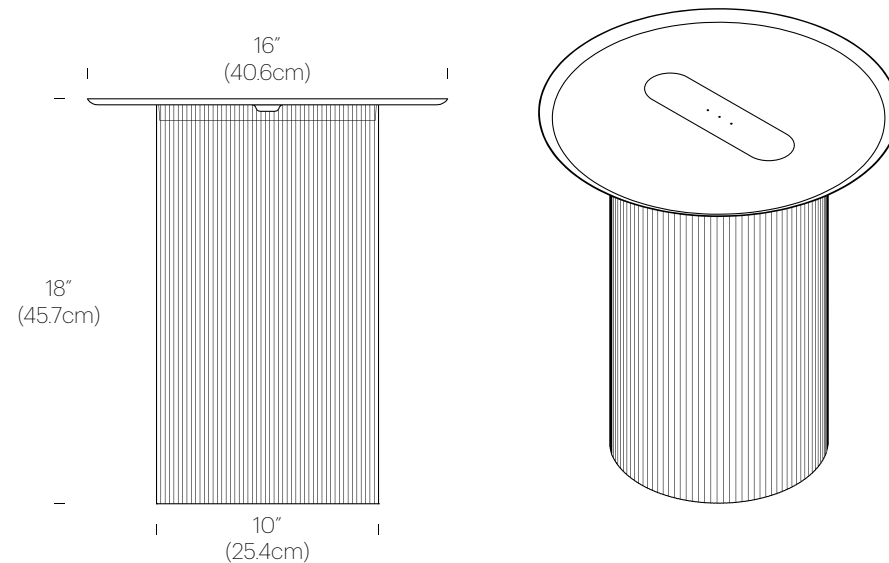
WHITE



BLACK

## DIMENSIONS

### CAROUSEL FLOOR



## PRODUCT CODES

Carousel Floor (Black/Bronze):	CARO FLR BRZ 16 BLK
Carousel Floor (Black/Clear):	CARO FLR CLR 16 BLK
Carousel Floor (White/Bronze):	CARO FLR BRZ 16 WHT
Carousel Floor (White/Clear):	CARO FLR CLR 16 WHT
Carousel Floor (Terracotta/Bronze):	CARO FLR BRZ 16 TER
Carousel Floor (Terracotta/Clear):	CARO FLR CLR 16 TER

## PACKAGING WEIGHTS AND DIMENSIONS

Carousel Floor:	3.5LBS	17" X 17" X 20"
(Base)	1.6KG	43cm X 43cm X 51cm

## NOTES

Custom requests can be considered on volume orders







# CIELO PLUS

Through its minimal form and glare-free, flat panel LED technology, Cielo enables light to act as its expressive element and defining feature. Its finish palate also works to this end, underscoring the lamp's simple structure and exalting its light. Cielo's classic shape integrates into any environment, regardless of style, and it can be suspended individually, in a series or as a chandelier to provide warm and balanced illumination. The larger the grouping, the bolder the display. Cielo offers a full dimming range and is composed of energy efficient LEDs rated for up to 50K hours. Now available in brand new Hi-Bright model boasting 930 lumens of glare free illumination.

Designer:  
Pablo Studio 2012



# CIELO PLUS PENDANT

## DESCRIPTION

Cielo is an LED suspension light that provides perfectly balanced and warm illumination in a simple and expressive silhouette. Cielo can be suspended individually, in a series, or as a chandelier to accent any residential or hospitality setting. Cielo features a fully dimmable and energy efficient flat panel technology that is rated for up to a 50K hour lifespan. Now available in brand new Hi-Bright model boasting 930 lumens of glare free illumination.

## FIXTURE TYPE

Pendant

## LIGHT SOURCE

LED Flat-Panel

## LIGHT CONTROL

Hard-wired, dimmable  
Compatible with TRIAC and ELV dimmers  
0-10V available upon request

## FEATURES

Energy efficient flat panel technology  
Full-range dim  
Available in multiple color combinations  
Glare-free illumination

## SPECIFICATIONS

Voltage: 120V or 240V 50-60Hz  
277V 50-60Hz available upon request  
Power Consumption: 12.8W  
Color temperature: 2700K  
Luminosity: 930 Lumens  
Luminaire efficacy: 72 Lumens/Watt  
Color Rendition Index: 91 CRI  
Title 20 compliant  
50K hour lifespan  
Cable length: 10' (305cm) (Field Cuttable)

## CERTIFICATIONS



## PRODUCT CODES

Cielo Plus (Black):	CIEL PLUS BLK/BLK
Cielo Plus (White):	CIEL PLUS WHT/WHT
Cielo Plus (Silver):	CIEL PLUS SLV
Cielo Plus (Brass):	CIEL PLUS BRA

## PACKAGING WEIGHT AND DIMENSIONS

Cielo Plus:	3.65LBS	11" X 7.5" X 7.5"
	1.7KGS	28cm X 19cm X 19cm

## NOTES

Custom requests can be considered on volume orders



## FINISHES



MATTE BLACK/  
BLACK CABLE



MATTE WHITE/  
WHITE CABLE



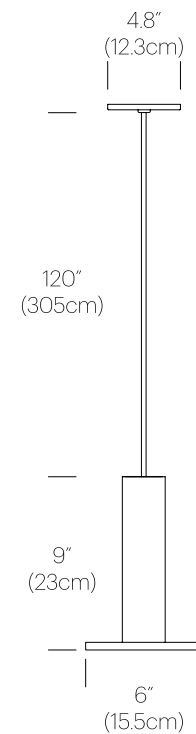
SILVER/  
GREY CABLE



BRASS/  
BLACK CABLE

## DIMENSIONS

CIELO PLUS





# CIELO PLUS CHANDELIER

## DESCRIPTION

Cielo chandelier's grouping of LED pendants provides perfectly balanced and warm illumination in a simple and expressive silhouette. Cielo Chandelier is available in 3, 5, 7 and 13 Cielo pendant configurations to accent any residential, commercial or hospitality setting. Cielo features a fully dimmable and energy efficient flat panel technology that is rated for up to a 50K hour lifespan. Now available in brand new Hi-Bright model boasting 930 lumens of glare free illumination.

## FIXTURE TYPE

Pendant

## LIGHT SOURCE

LED Flat-Panel

## LIGHT CONTROL

Hard-wired, dimmable  
Compatible with TRIAC/ELV and 0-10V dimmers  
0-10V dimming available upon request

## FEATURES

Energy efficient flat panel technology  
Full-range dim  
Available in multiple color combinations  
Glare-free illumination

## SPECIFICATIONS

Voltage: 120V or 240V 50-60Hz  
Power Consumption: 12.8W per lamp  
Color temperature: 2700K  
Luminosity: 930 Lumens  
Luminaire efficacy: 72 Lumens/Watt  
Color Rendition Index: 91 CRI  
Title 20 compliant  
50K hour lifespan  
Cable length: 10' (305cm) (Field Cuttable)

## CERTIFICATIONS



## PRODUCT CODES

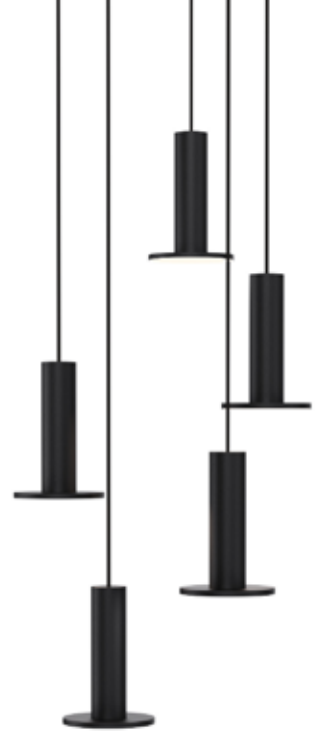
Cielo Plus (Black):	CIEL PLUS BLK/BLK
Cielo Plus (White):	CIEL PLUS WHT/WHT
Cielo Plus (Silver):	CIEL PLUS SLV
Cielo Plus (Brass):	CIEL PLUS BRA
Cielo Chandelier (3/5/7):	CIEL HB CHND 3/5/7
Cielo Chandelier (13):	CIEL HB CHND 13

## PACKAGING WEIGHT AND DIMENSIONS

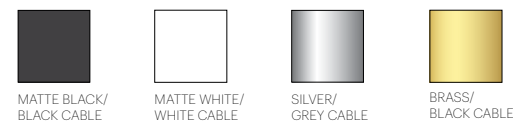
Cielo:	3.65LBS	11" X 7.5" X 7.5"
	1.7KGS	28cm X 19cm X 19cm
Chandelier canopy 17":	15LBS	22" X 22" X 6"
	6.8KGS	56cm X 56cm X 15cm
Chandelier canopy 26":	30LBS	32" X 32" X 6"
	13.6KGS	81cm X 81cm X 15cm

## NOTES

Custom requests can be considered on volume orders

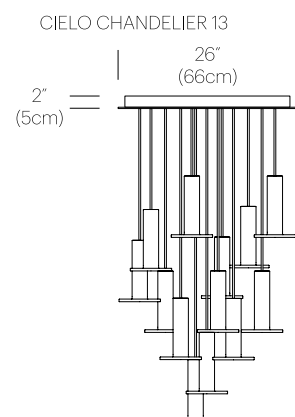
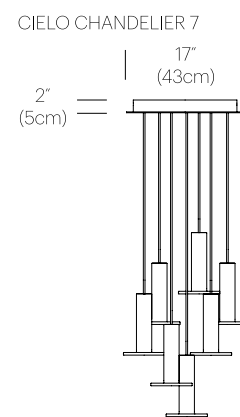
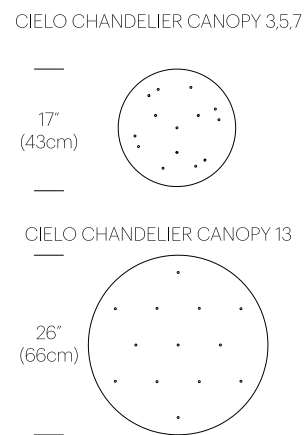
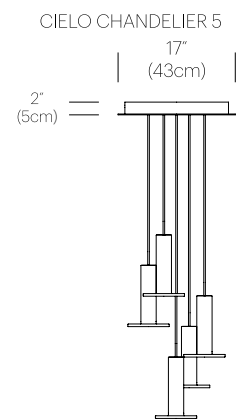
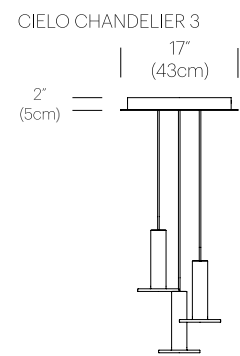


## FINISHES



## DIMENSIONS

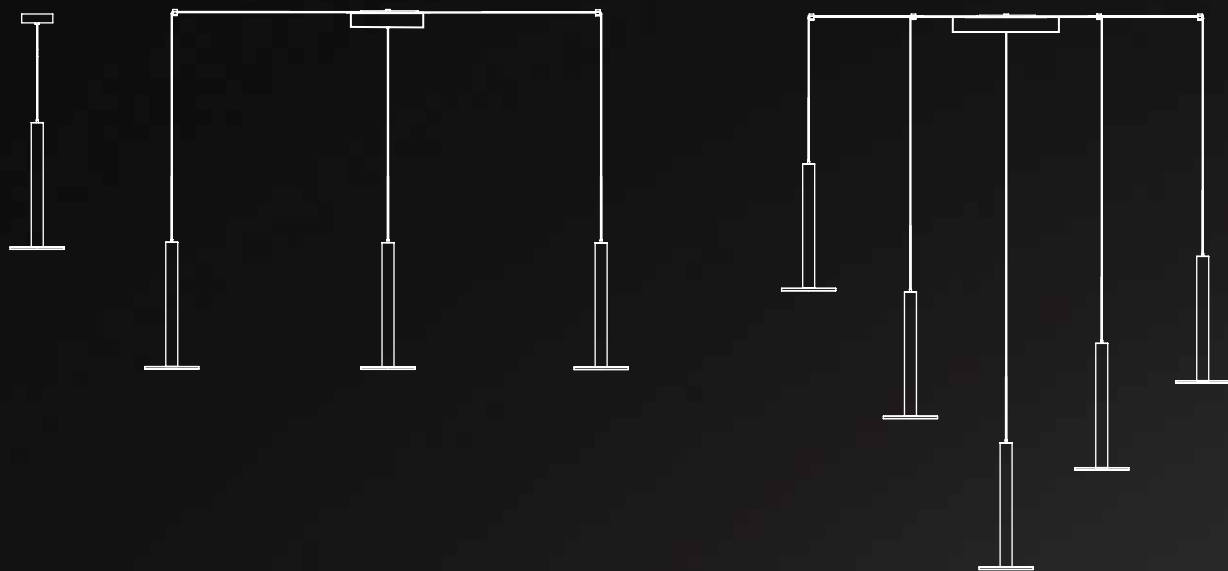
CIELO PLUS CHANDELIER



# CIELO XL

The minimalist Cielo pendant Series is expanding to include the stunning new Cielo XL, a taller and slimmer design offering premium machined aluminum finishes and boasting a warm and brilliant 1200 lumen output. Cielo XL is scaled perfectly for hospitality and residential environments alike and can be suspended individually, in a series or as chandelier groupings to provide directional illumination that is both perfectly balanced and glare free. Cielo XL is fully dimmable and employs state of the art flat panel LED technology which is rated for up to 50K hours of use.

Designer:  
Pablo Studio 2018



# CIELO XL

## DESCRIPTION

The minimalist Cielo pendant Series is expanding to include the stunning new Cielo XL, a taller and slimmer design offering premium machined aluminum finishes and boasting a warm and brilliant 1200 lumen output. Cielo XL is scaled perfectly for hospitality and residential environments alike and can be suspended individually, in a series or as chandelier groupings to provide focused illumination that is both perfectly balanced and glare free. Cielo XL is fully dimmable and employs state of the art flat panel LED technology which is rated for up to 50K hours of use.

## FIXTURE TYPE

Pendant

## LIGHT SOURCE

LED Flat-Panel

## LIGHT CONTROL

Hard-wired, dimmable  
Compatible with TRIAC/ELV and 0-10V dimmers

## FEATURES

Energy efficient flat panel technology  
Fully Dimmable  
Glare-free illumination

## SPECIFICATIONS

Voltage: 120V, 240V, or 277V 50/60Hz  
Power Consumption: 18W  
Color Temperature: 2700K  
Luminosity: 1200 Lumens  
Luminaire efficacy: 67Lumens/Watt  
Color Rendition Index: 91 CRI  
50K hour lifespan  
Cable Length: 10' (3m) (Adjustable height)

## CERTIFICATIONS



## PRODUCT CODES

Cielo XL (Satin Aluminum):	CIEL XL SLV
Cielo XL (Polished Aluminum):	CIEL XL POL SLV
Cielo XL (Brass):	CIEL XL BRA
Cielo XL (Black):	CIEL XL BLK
Cielo XL (Gloss White):	CIEL XL WHT

## PACKAGING WEIGHT AND DIMENSIONS

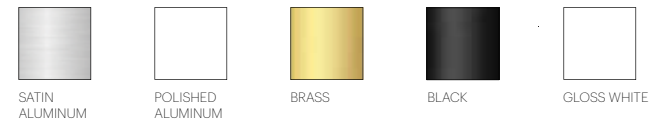
Cielo XL:	4.25LBS	8" X 8" X 19.5"
	2KG	20cm X 20cm X 49.5cm

## NOTES

Custom requests can be considered on volume orders  
0-10V dimming available upon request

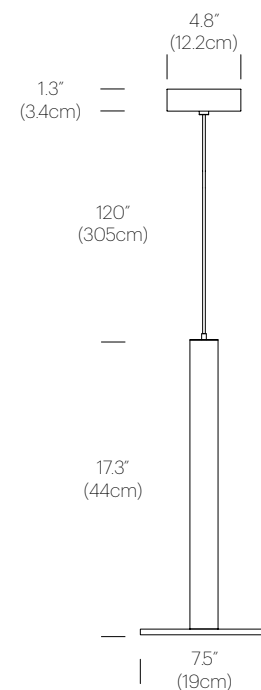


## FINISHES



## DIMENSIONS

CIELO XL





# CIELO XL MULTI-LIGHT

## DESCRIPTION



Cielo XL's stunning machined aluminum design can be suspended in a variety of unique custom arrangements with both round and linear canopy solutions. With Cielo XL Multi-Light, up to 9 lamps can be grouped together in a variety mixed sizes to form impressive luminaire displays. Both size and shape of the grouping is controlled by lamp quantity and positioning relative to the Multi-Light canopy. Swag mounts are provided to extend the lights out into space along with an ample height adjustable cord length of 10' (304cm) to offer a wide range of unique custom configurations.

## FIXTURE TYPE

Pendant

## LIGHT SOURCE

LED Flat-Panel

CERTIFICATIONS  

## PRODUCT CODES

Multi-Light Canopy 9" (White):	CIEL XL CAN 9 WHT
Multi-Light Canopy 9" (Black):	CIEL XL CAN 9 BLK
Multi-Light Canopy 12" (White):	CIEL XL CAN 12 WHT
Multi-Light Canopy 12" (Black):	CIEL XL CAN 12 BLK

## PACKAGING WEIGHT AND DIMENSIONS

Multi-Light Canopy 9"	4.3LBS	12" X 12" X 6"
	2KG	30.5cm X 30.5cm X 15cm
Multi-Light Canopy 12"	6.6LBS	12" X 12" X 6"
	3KG	30.5cm X 30.5cm X 15cm

## NOTES

Custom requests can be considered on volume orders

CIELO XL Multi-Light Canopy  
Small (Ø9" OD) Up to 4



CIELO XL Multi-Light Canopy  
Large (Ø12" OD) 5 to 7



2, 3, 4, 5, 6... 7

## FINISHES



SATIN ALUMINUM



POLISHED ALUMINUM



BRASS



BLACK



GLOSS WHITE

## MULTI-LIGHT CANOPY



WHITE



BLACK

## ROUND



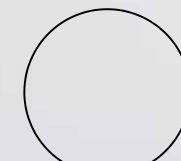
## LINEAR



## MULTI-LIGHT CANOPY DIMENSIONS



9"  
(22.8cm)



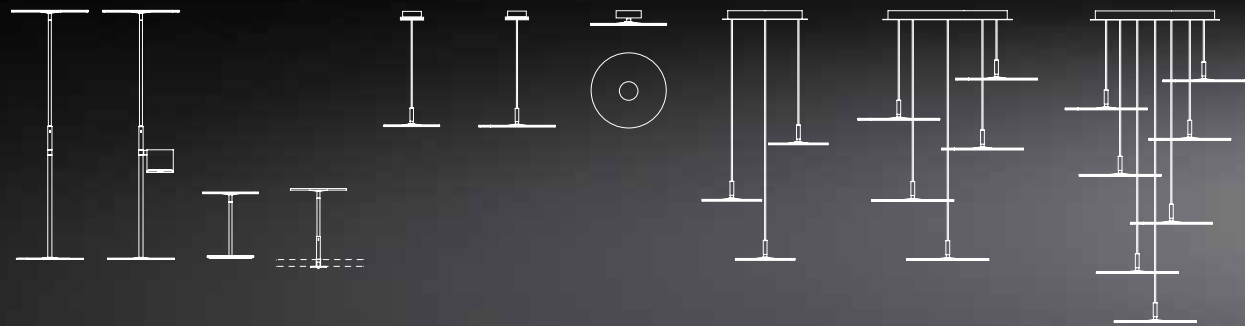
12"  
(30.5cm)

# CIRCA

In designing Circa, the Pablo Studio designers wanted to create a product that was revolutionary yet familiar. They not only created a new lamp, but also a new archetype for indoor lighting – one that blurs the boundary between the utilitarian work lamp and traditional shaded lamp. Circa's defining feature is a flat-panel LED disc that moves fluidly above its axis point. This mobility allows the lamp to assume an infinite number of positions while functioning as a task lamp that provides balanced, ambient light. Circa also supports a user's mobile devices by integrating a USB charging port on the table, grommet, and floor models.

Designer:  
Pablo Studio 2013

Awards:  
2013 NY NOW Excellence in Product Design



# CIRCA TABLE

## DESCRIPTION

Circa's revolutionary flat-panel LED light source combines seamless movement with warm and balanced illumination. Through its integrated USB charging port, 45° shade tilt and 360° rotation, Circa redefines the ambient lighting category. Circa is available in a wide range of models to satisfy all residential, office and hospitality applications.

## FIXTURE TYPE

Table

## LIGHT SOURCE

LED Flat-Panel

## LIGHT CONTROL

Full range dim control 100%-10% (optical switch)

## FEATURES

- 360° shade rotation
- 45° shade tilt in two directions
- USB-A charging port
- Ships flat-packed

## SPECIFICATIONS

- Voltage: 120V or 240V 50-60Hz
- Power Consumption: 8.7W
- Color temperature: 2700K
- Luminosity: 500 Lumens
- Luminaire efficacy: 57 Lumens/Watt
- Color Rendition Index: 90 CRI
- ADA compliant
- Title 20 compliant
- 50K hour lifespan
- Cable length: 8' (244cm)
- Global multi-plug adapter available

## CERTIFICATIONS



## PRODUCT CODES

Circa Table (Graphite):	CIRC-TBL-GPT
Circa Table (White):	CIRC-TBL-WHT
Circa Table Grommet (White):	CIRC-GROM-WHT
Circa Table Grommet (Graphite):	CIRC-GROM-GPT

## PACKAGING WEIGHT AND DIMENSIONS

Circa Table :	8.45LBS	15" X 14" X 4"
	3.8KGS	38cm X 36cm X 10cm

## NOTES

Custom requests can be considered on volume orders



## FINISHES



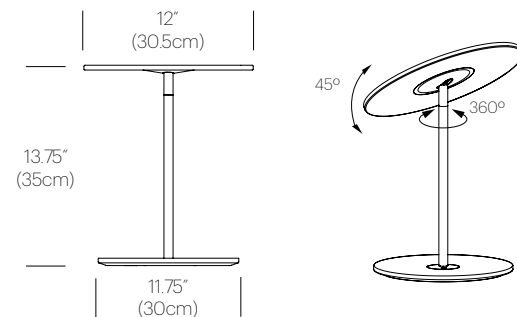
WHITE



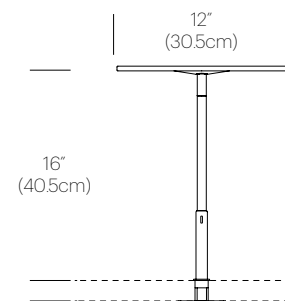
GRAPHITE

## DIMENSIONS

CIRCA TABLE



CIRCA GROMMET



SURFACE MOUNT AVAILABLE FOR  
118" (3cm), 2" (5cm) AND 3" (7.5cm)  
WORKSURFACES





# CIRCA FLOOR

## DESCRIPTION

Circa's revolutionary flat-panel LED light source combines seamless movement with warm and balanced illumination. Through its integrated USB charging port, 45° shade tilt and 360° rotation, Circa redefines the ambient lighting category. Circa is available in a wide range of models to satisfy all residential, office and hospitality applications.

## FIXTURE TYPE

Floor

## LIGHT SOURCE

LED Flat-Panel

## LIGHT CONTROL

Full range dim control 100%-10% (optical switch)

## FEATURES

360° shade rotation  
45° shade tilt in two directions  
USB-A charging port  
Ships flat-packed

## SPECIFICATIONS

Voltage: 120V or 240V 50-60Hz  
Power Consumption: 11.5W  
Color temperature: 2700K  
Luminosity: 800 Lumens  
Luminaire efficacy: 70 Lumens/Watt  
Color Rendition Index: 90 CRI  
ADA compliant  
Title 20 compliant  
50K hour lifespan  
Cable length: 8' (244cm)  
Global multi-plug adapter available

## CERTIFICATIONS



## PRODUCT CODES

Circa Floor (Graphite):	CIRC FLR GPT
Circa Floor (White):	CIRC FLR WHT
Circa Floor+Ped. (Graphite):	CIRC FLR PED GPT
Circa Floor+Ped. (White):	CIRC FLR PED WHT

## PACKAGING WEIGHT AND DIMENSIONS

Circa Floor:	21.9LBS	29" X 18" X 3.5"
	9.9KGS	74cm X 46cm X 9cm
Circa Floor Pedestal:	2.85LBS	11" X 11" X 3"
	1.3KGS	28cm X 28cm X 8cm

## NOTES

Custom requests can be considered on volume orders



## FINISHES



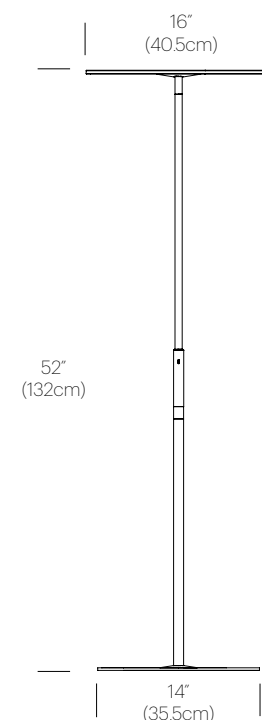
WHITE



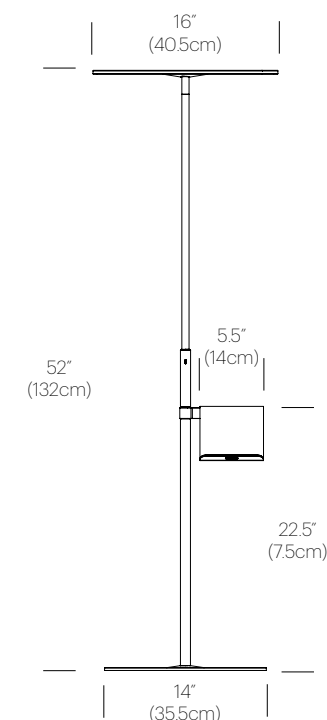
GRAPHITE

## DIMENSIONS

CIRCA FLOOR



CIRCA FLOOR+PEDESTAL



# CIRCA FLUSH

## DESCRIPTION

Circa's revolutionary flat-panel LED light source combines seamless movement with warm and balanced illumination. Circa is available in a wide range of models to satisfy all residential, office and hospitality applications.

## FIXTURE TYPE

Wall/Ceiling

## LIGHT SOURCE

LED Flat-Panel

## LIGHT CONTROL

Hard wired, dimmable  
Compatible with TRIAC and ELV dimmers  
0-10V dimming available upon request

## FEATURES

Ships flat-packed

## SPECIFICATIONS

Voltage: 120 or 240V 50/60Hz  
277V 50/60Hz available upon request  
Power Consumption: 10.5W  
Color temperature: 2700K  
Luminosity: 12"(500 Lm), 16"(800 Lm)  
Luminaire efficacy: 12"(47Lm/W), 16"(76 Lm/W)  
Color Rendition Index: 90 CRI  
Title 20 compliant  
ADA compliant  
50K hour lifespan

## CERTIFICATIONS

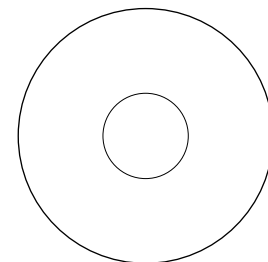
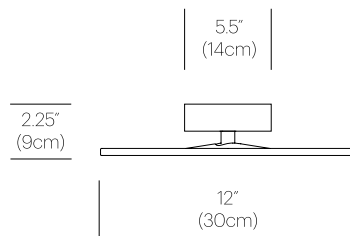


## FINISHES

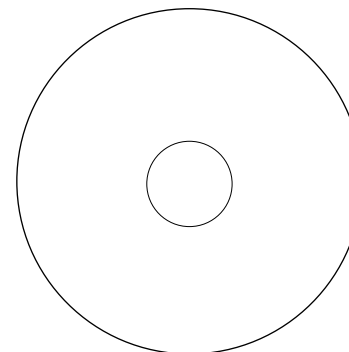
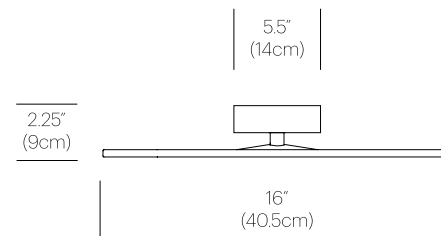


## DIMENSIONS

CIRCA FLUSH 12



CIRCA FLUSH 16



## PRODUCT CODES

Circa Flush Direct 12 Graphite:	Special order only
Circa Flush Direct 12 White:	CIRC FSH 12 WHT
Circa Flush Direct 16 Graphite:	Special order only
Circa Flush Direct 16 White:	CIRC FSH 16 WHT
Circa Flush Indirect 12 Graphite:	Special order only
Circa Flush Indirect 12 White:	Special order only
Circa Flush Indirect 16 Graphite:	Special order only
Circa Flush Indirect 16 White:	Special order only

## PACKAGING WEIGHT AND DIMENSIONS

Circa Flush 12:	5.75LBS	15" X 14" X 4"
	2.6KGS	38cm X 36cm X 10cm
Circa Flush 16 :	9.05LBS	18.5" X 18" X 4"
	4.1KGS	47cm X 46cm X 10cm

## NOTES

Custom requests can be considered on volume orders





# CIRCA PENDANT

## DESCRIPTION

Circa's revolutionary flat-panel LED light source combines seamless movement with warm and balanced illumination. Through its 45° shade tilt and 360° rotation, Circa redefines the ambient lighting category. Circa is available in a wide range of models to satisfy all residential, office and hospitality applications.

## FIXTURE TYPE

Pendant

## LIGHT SOURCE

LED Flat-Panel

## LIGHT CONTROL

Hard wired, dimmable  
Compatible with TRIAC and ELV dimmers  
0-10V dimming available upon request

## FEATURES

360° shade rotation  
45° shade tilt in two directions  
Ships flat-packed

## SPECIFICATIONS

Voltage: 120 or 240V 50-60Hz  
Power Consumption: 10.5W  
Color temperature: 2700K  
Luminosity: 12"(500 Lm), 16"(800 Lm)  
Luminaire efficacy: 12"(47Lm/W), 16"(76 Lm/W)  
Color Rendition Index: 90 CRI  
Title 20 compliant  
50K hour lifespan  
Cable length: 10' (305cm) (Field Cuttable)

## CERTIFICATIONS



## FINISHES



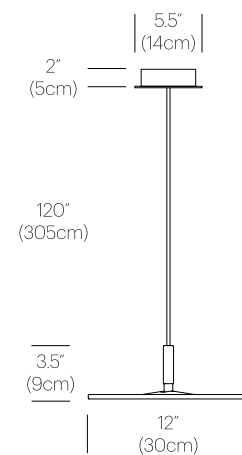
WHITE



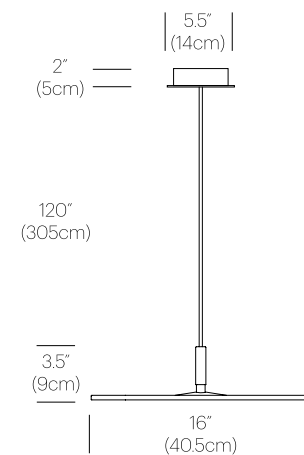
GRAPHITE

## DIMENSIONS

CIRCA PENDANT 12



CIRCA PENDANT 16



## PRODUCT CODES

Circa Pendant 12 Graphite:	CIRC PND 12 GPT
Circa Pendant 12 White:	CIRC PND 12 WHT
Circa Pendant 16 Graphite:	CIRC PND 16 GPT
Circa Pendant 16 White:	CIRC PND 16 WHT

## PACKAGING WEIGHT AND DIMENSIONS

Circa Pendant 12:	5.75LBS	15" X 14" X 4"
	2.6KGS	38cm X 36cm X 10cm
Circa Pendant 16 :	9.05LBS	18.5" X 18" X 4"
	4.1KGS	47cm X 46cm X 10cm

## NOTES

Custom requests can be considered on volume orders





# CIRCA CHANDELIER

## DESCRIPTION

Circa's revolutionary flat-panel LED light source combines seamless movement with warm and balanced illumination. Through its 45° shade tilt and 360° rotation, Circa redefines the ambient lighting category. Circa Chandelier is available in 3, 5, and 7 lamp configurations to fit a wide range of commercial and residential environments.

## FIXTURE TYPE

Pendant

## LIGHT SOURCE

LED Flat-Panel

## LIGHT CONTROL

Hard wired, dimmable  
Compatible with TRIAC and ELV dimmers  
0-10V dimming available upon request

## FEATURES

360° shade rotation  
45° shade tilt in two directions  
Ships flat-packed

## SPECIFICATIONS

Voltage: 120 or 240V 50-60Hz  
Power Consumption: 10.5W per lamp  
Color temperature: 2700K  
Luminosity: 12"(500 Lm), 16"(800 Lm) per lamp  
Luminaire efficacy: 76 Lumens/Watt  
Color Rendition Index: 90 CRI  
Title 20 compliant  
50K hour lifespan  
Cable length: 10' (305cm) (Field Cuttable)

## CERTIFICATIONS



## PRODUCT CODES

Circa Pendant 12 Graphite:	CIRC PND 12 GPT
Circa Pendant 12 White:	CIRC PND 12 WHT
Circa Pendant 16 Graphite:	CIRC PND 16 GPT
Circa Pendant 16 White:	CIRC PND 16 WHT
17" Chandelier Canopy:	CHND CAN 17
26" Chandelier Canopy:	CHND CAN 26

## PACKAGING WEIGHT AND DIMENSIONS

Circa Pendant 12:	5.75LBS	15" X 14" X 4"
	2.6KGS	38cm X 36cm X 10cm
Circa Pendant 16 :	9.05LBS	18.5" X 18" X 4"
	4.1KGS	47cm X 46cm X 10cm
Chandelier canopy 17":	15LBS	22" X 22" X 6"
	6.8KGS	56cm X 56cm X 15cm
Chandelier canopy 26":	30LBS	32" X 32" X 6"
	13.6KGS	81cm X 81cm X 15cm

## NOTES

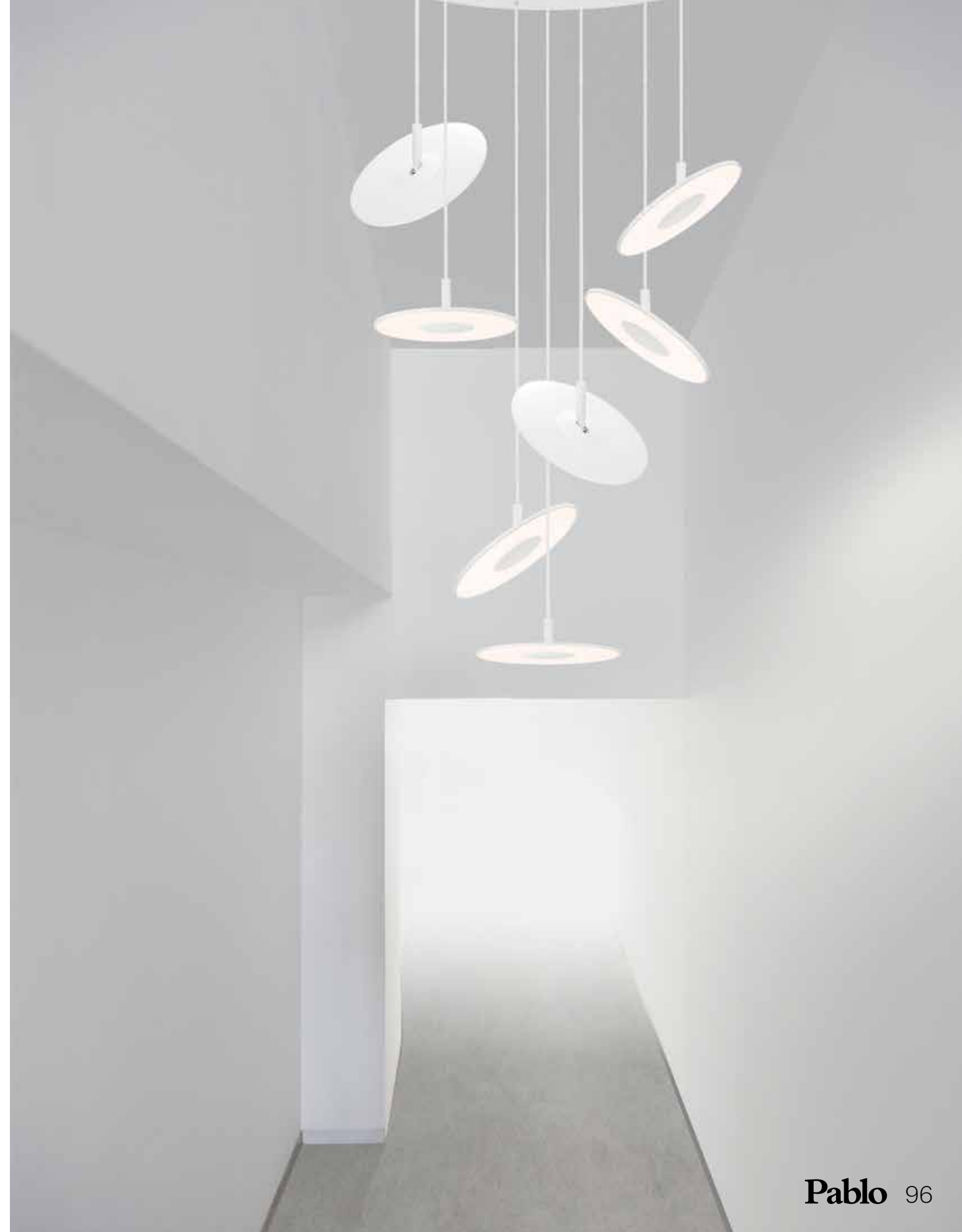
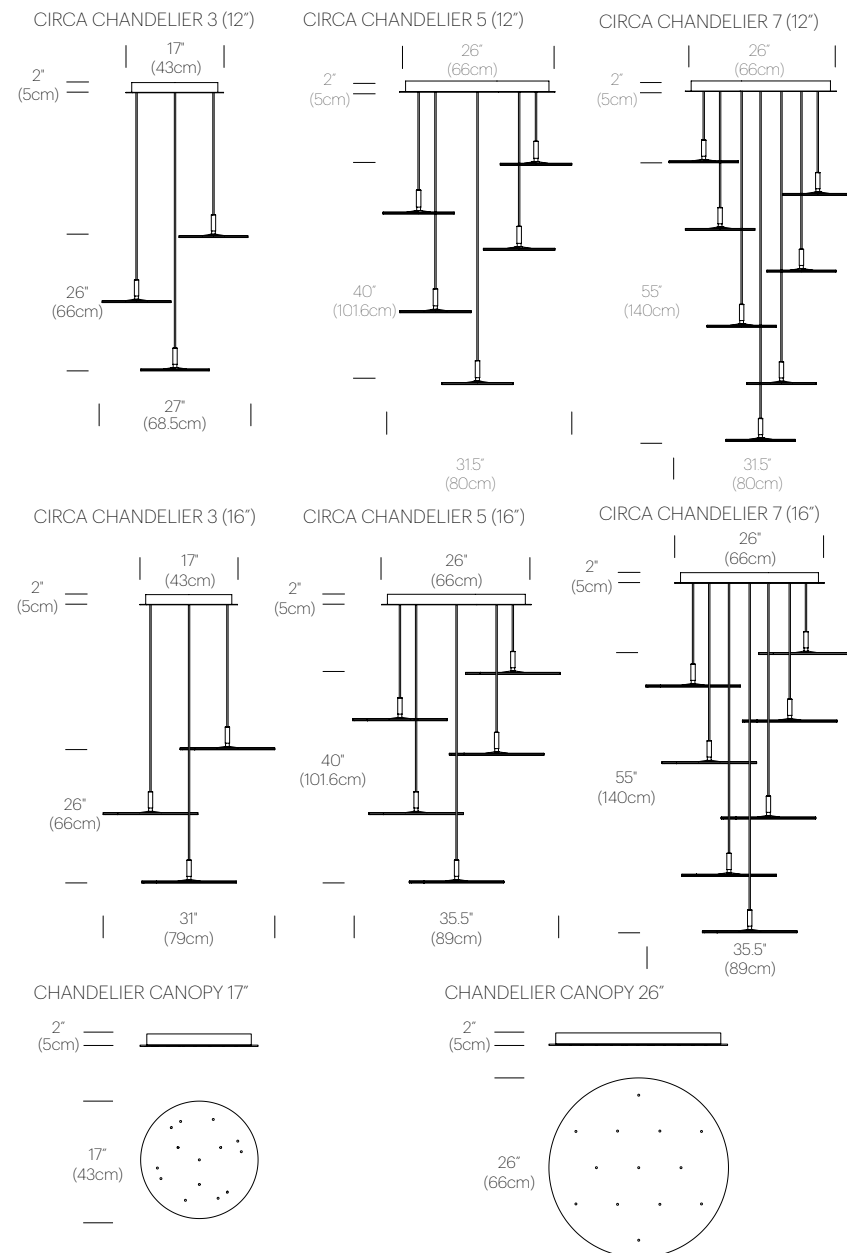
Custom requests can be considered on volume orders



## FINISHES



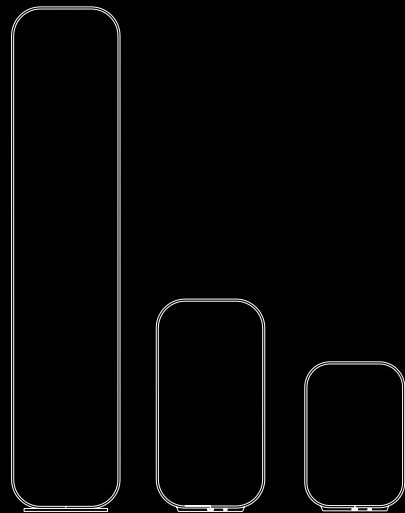
## DIMENSIONS



# CONTOUR

Contour's revealing and elegant open framed architecture captures warm LED illumination within a remarkably slender extruded aluminum structure. Intelligent and highly efficient, Contour's minimalist design has been refined to the bare essentials, creating a rich interior space for your personal belongings while providing an unobstructed view of its surroundings. Contour's premium wood interiors provide an inviting resting place for your books, precious objects, or for charging your mobile devices with its integrated USB-A port.

Designer:  
Pablo Studio 2015



# CONTOUR TABLE

## DESCRIPTION

Contour's revealing and elegant open framed architecture captures warm LED illumination within a remarkably slender extruded aluminum structure. Intelligent and highly efficient, Contour's minimalist design has been refined to the bare essentials, creating a rich interior space for your personal belongings while providing an unobstructed view of its surroundings. Contour's premium wood and woven fabric interiors provide an inviting resting place for your books, precious objects, or for charging your mobile devices with its integrated USB port.

## FIXTURE TYPE

Table

## LIGHT SOURCE

(60x) High output LED array

## LIGHT CONTROL

Full range dim control

## FEATURES

Glare-free illumination  
USB charging port

## SPECIFICATIONS

Voltage: 120-240V 50-60Hz  
Power Consumption: 8W MAX  
Color temperature: 3000K  
Luminosity: 780 Lumens  
Luminaire efficacy: 98 Lumens/Watt  
Color Rendition Index: 80+ CRI  
50K hour lifespan  
Cable length: 8' (244cm)  
Global multi-plug adapter available  
Patent number: D774,239

## CERTIFICATIONS



## FINISHES



## DIMENSIONS

TABLE SM

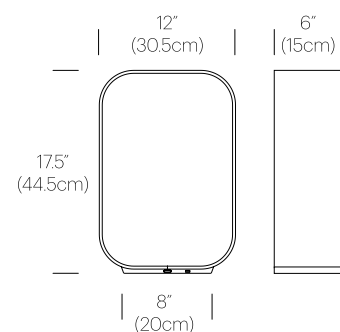
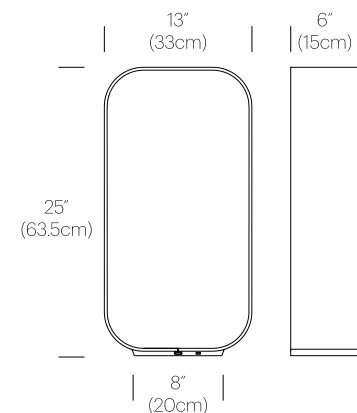


TABLE LG



## PRODUCT CODES

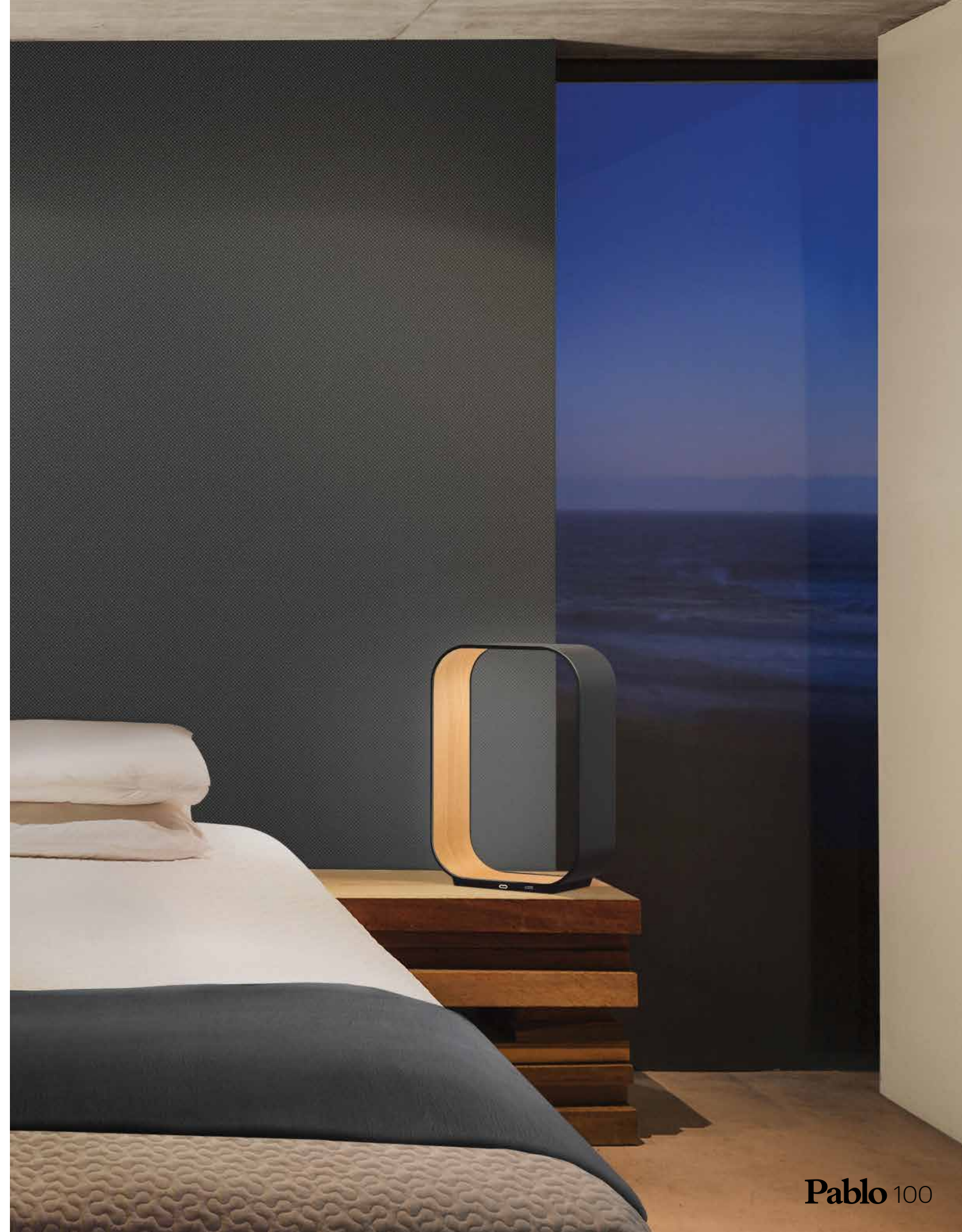
Contour Table SM White/White Oak	CONT SML WHT/OAK
Contour Table SM White/Walnut	CONT SML WHT/WAL
Contour Table SM White/Pearl	CONT SML WHT/PEARL
Contour Table SM Graphite/White Oak	CONT SML GPT/OAK
Contour Table SM Graphite/Walnut	CONT SML GPT/WAL
Contour Table SM Graphite/Coal	CONT SML GPT/COAL
Contour Table LG White/White Oak	CONT LRG WHT/OAK
Contour Table LG White/Walnut	CONT LRG WHT/WAL
Contour Table LG White/Pearl	CONT LRG WHT/PEARL
Contour Table LG Graphite/White Oak	CONT LRG GPT/OAK
Contour Table LG Graphite/Walnut	CONT LRG GPT/WAL
Contour Table LG Graphite/Coal	CONT LRG GPT/COAL

## PACKAGING WEIGHT AND DIMENSIONS

CONTOUR TABLE SM:	11LBS 17.5" X 12" X 6"
	5KGS 44.5cm X 30cm X 15cm
CONTOUR TABLE LG:	13LBS 25" X 13" X 6"
	6KGS 63.5cm X 33cm X 15cm

## NOTES

Custom requests can be considered on volume orders





# CONTOUR FLOOR

## DESCRIPTION

Contour's revealing and elegant open framed architecture captures warm LED illumination within a remarkably slender extruded aluminum structure. Intelligent and highly efficient, Contour's minimalist design has been refined to the bare essentials, creating a rich interior space for your personal belongings while providing an unobstructed view of its surroundings. Contour's premium wood interiors provide an inviting resting place for your books, precious objects.

## FIXTURE TYPE

Floor

## LIGHT SOURCE

(60x) High output LED array

## LIGHT CONTROL

Full range dim control (in-line floor dimmer)

## FEATURES

Glare-free illumination

## SPECIFICATIONS

Voltage: 120-240V 50-60Hz  
 Power Consumption: 21.5W MAX  
 Color temperature: 3000K  
 Luminosity: 1800 Lumens  
 Luminaire efficacy: 84 Lumens/Watt  
 Color Rendition Index: 80+ CRI  
 50K hour lifespan  
 Cable length: 9' (274cm)  
 Global multi-plug adapter available  
 Patent number: D774,239

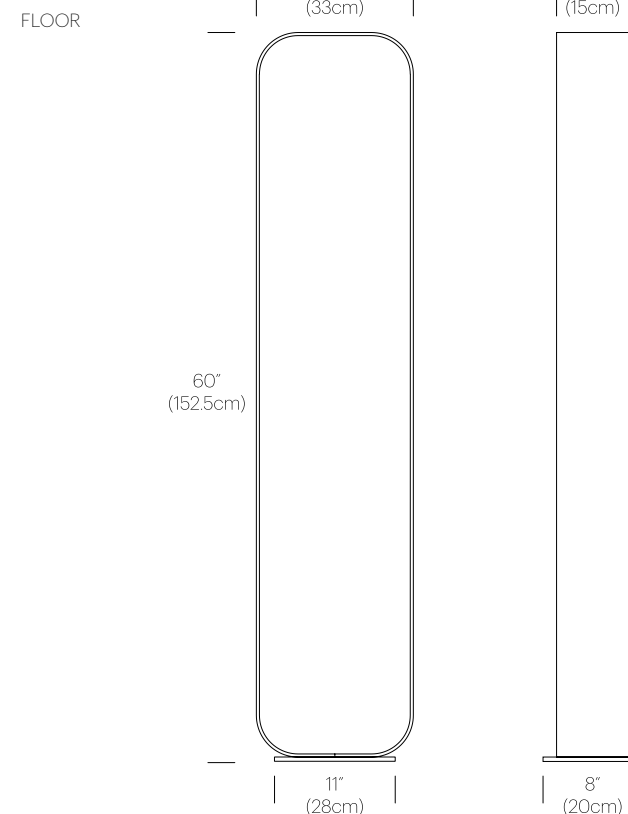
## CERTIFICATIONS



## FINISHES



## DIMENSIONS



## PRODUCT CODES

Contour Floor White/White Oak:	CONT FLR WHT/OAK
Contour Floor White/Walnut:	CONT FLR WHT/WAL
Contour Floor White/Pearl:	CONT FLR WHT/PEARL
Contour Floor Graphite/White Oak:	CONT FLR GPT/OAK
Contour Floor Graphite/Walnut:	CONT FLR GPT/WAL
Contour Floor Graphite/Coal:	CONT FLR GPT/COAL

## PACKAGING WEIGHT AND DIMENSIONS

CONTOUR FLOOR: 30LBS	60" X 13" X 6"
14KGS	152.5cm X 13cm X 15cm

## NOTES

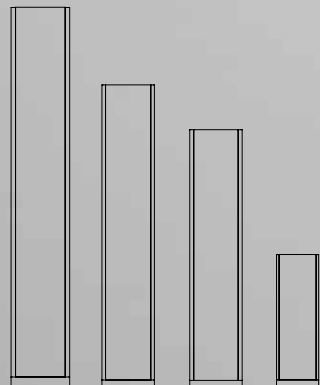
Custom requests can be considered on volume orders



# CORTINA

In conceiving of Cortina, designer Pablo Pardo sought to create a light that would assert its presence but seamlessly complement a variety of surroundings. What he built is a stoic, sculptural luminaire that emits a seductive light through its transparent and diffused surfaces. Cortina's monolithic form factor creates a noble light that mimics its architectural surroundings. Fluidly dimmable, the piece is comprised of a clear acrylic shade and a translucent fabric diffuser to shield the upward-facing light source. Cortina is available in heights ranging from 24" to 72".

Designer:  
Pablo Pardo 2000-2004



# CORTINA TABLE

## DESCRIPTION

The timeless Cortina lamp is architectural simplicity. Its stoic clear acrylic shade features a sensual translucent mesh fabric diffuser to shield the lamp's dimmable light source. Cortina allows you to set any mood depending on the moment.

## FIXTURE TYPE

Table

## LIGHT SOURCE

(2x) White med base 60W PAR 16 NSP bulbs: 1300lm

## LIGHT CONTROL

Full range dim (in-line rotary dimmer)

## FEATURES

Multiple sizes for a variety of applications

## SPECIFICATIONS

Voltage: 120V or 240V

Cable length: 6' (182cm)

1 year warranty

## CERTIFICATIONS

UL listed components



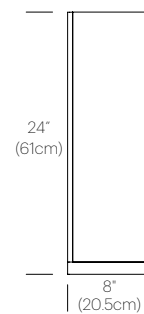
## FINISHES



CLEAR/  
WHITE

## DIMENSIONS

CORTINA 24



## PRODUCT CODES

Cortina 24:	CORT24
-------------	--------

## PACKAGING WEIGHT AND DIMENSIONS

Cortina 24:	14LBS	13.5" X 10" X 4.5"
	6.4KGS	34cm X 25cm X 11cm

## NOTES

Floor mounting solutions available upon request  
Custom requests can be considered on volume orders





# CORTINA FLOOR

## DESCRIPTION

The timeless Cortina lamp is architectural simplicity. Its stoic clear acrylic shade features a sensual translucent mesh fabric diffuser to shield the lamp's dimmable light source. Cortina allows you to set any mood depending on the moment.

## FIXTURE TYPE

Floor

## LIGHT SOURCE

Cortina 48/60:  
 (2x) White med base 60W PAR 16 NSP bulbs: 1300lm  
 Cortina 72:  
 (2x) White med base 75W PAR 16 NSP bulbs: 1800lm

## LIGHT CONTROL

Full range dim (in-line rotary dimmer)

## FEATURES

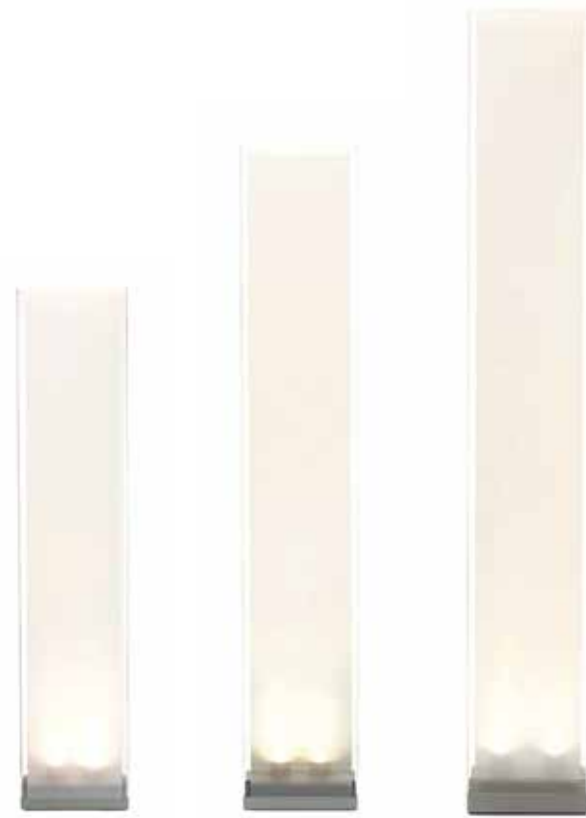
Multiple sizes for a variety of applications

## SPECIFICATIONS

Voltage: 120V or 240V  
 Cable length: 6' (182cm)

## CERTIFICATIONS

UL listed components

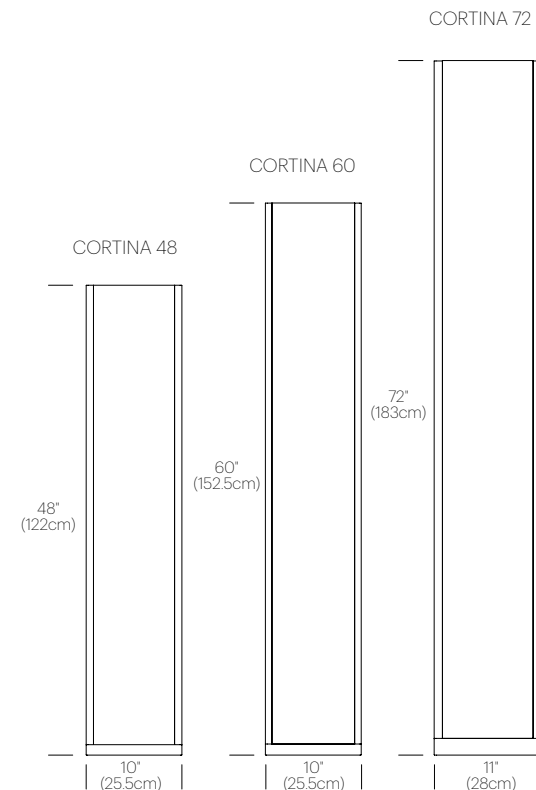


## FINISHES



CLEAR/  
 WHITE

## DIMENSIONS



## PRODUCT CODES

Cortina 48:	CORT 48
Cortina 60:	CORT 60
Cortina 72:	CORT 72

## PACKAGING WEIGHT AND DIMENSIONS

Cortina 48:	24.6LBS	58" X 13" X 6.5"
	11.2KGS	147cm X 33cm X 17cm
Cortina 60:	25LBS	68" X 3" X 6.5"
	11.3KGS	173cm X 8cm X 17cm
Cortina 72:	44LBS	82.5" X 14" X 7.5"
	20KGS	210cm X 36cm X 19cm

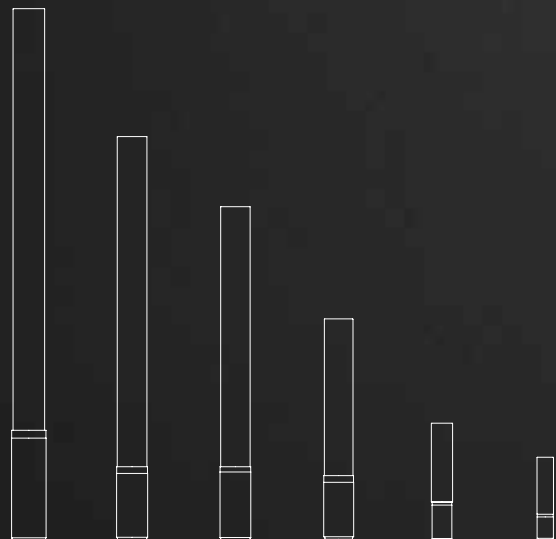
## NOTES

Custom requests can be considered on volume orders

# ELISE

Elise is a conceptual tribute to the machine age: streamlined, understated, and honest in its function as a light source. Celebrating the most classic of industrial forms, the cylinder, two elements compose the lamp: a refined aluminum or marble base conceals the light source, providing ample ballast, while its towering frosted acrylic diffuser becomes a beacon of light. Its confident, geometric simplicity enables it to comfortably inhabit a diversity of spaces. Elise offers a full dimming range and is available in heights ranging from 12" to 80".

Designer:  
Pablo Pardo 1998/2019



# ELISE TABLE

**DESCRIPTION**

The timeless Elise lamp pays tribute to the advent of the machine age. Its refined machined aluminum base combined with its towering frosted acrylic diffuser serves as the perfect combination for elegant lighting. Elise features full-range dimming capability to set the mood in any setting.

**FIXTURE TYPE**

Table

**LIGHT SOURCE**

Elise 12:  
Candelabra base 25W frosted torpedo bulb : 212Lm (US)  
White E14 base 25W frosted torpedo bulb: 212Lm (EU)

Elise 18:  
E26 base 40W T10 frosted tubular bulb: 280lm

**LIGHT CONTROL**

Full range dim (in-line rotary dimmer)

**SPECIFICATIONS**

Voltage: 120V or 240V  
Cable length: 6' (182cm)

**CERTIFICATIONS**

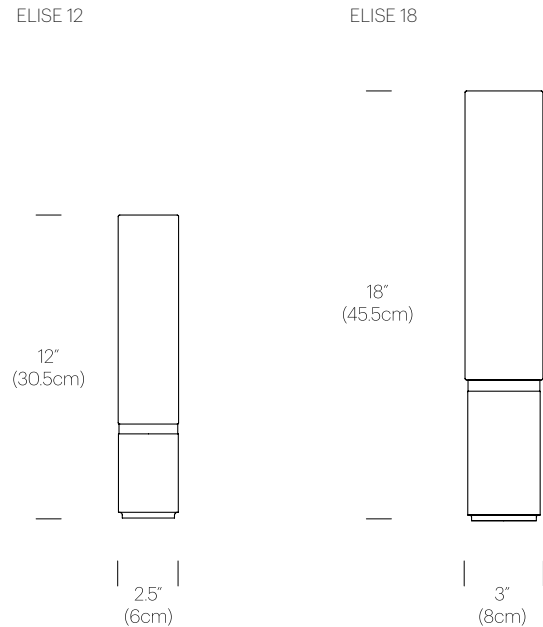
UL listed components



**FINISHES**



**DIMENSIONS**



**PRODUCT CODES**

Elise 12 (Silver):	ELIS 12 SLV
Elise 12 (Black):	ELIS 12 BLK
Elise 12 (Brass):	ELIS 12 BRA
Elise 18 (Silver):	ELIS 18 SLV
Elise 18 (Black):	ELIS 18 BLK
Elise 18 (Brass):	ELIS 18 BRA

**PACKAGING WEIGHT AND DIMENSIONS**

Elise 12:	2.75LBS	12.5" X 4.5" X 4"
	1.2KGS	32cm X 11cm X 10cm
Elise 18:	3.3LBS	18.5" X 5" X 4"
	1.5KGS	47cm X 13cm X 10cm

**NOTES**

Custom requests can be considered on volume orders





# ELISE FLOOR

## DESCRIPTION

The timeless Elise lamp pays tribute to the advent of the machine age. Its refined machined aluminum base combined with its towering frosted acrylic diffuser serves as the perfect combination for elegant lighting. Elise features full-range dimming capability to set the mood in any environment.

## FIXTURE TYPE

Floor

## LIGHT SOURCE

Elise 32/48/60:

(1) 3000K E26 60W PAR30 NSP halogen bulb: 1090lm(US)

(1) 2700K E27 9.5W PAR30 LED bulb:740lm(EU)

Elise 80:

(1) 3000K E26 70W PAR38 NSP halogen bulb: 1380lm(US)

(1) 2700K E27 13W PAR38 LED bulb:1000lm(EU)

## LIGHT CONTROL

Full range dim (in-line slide dimmer)

## SPECIFICATIONS

Voltage: 120V or 240V

Cable length: 6' (182cm)

## CERTIFICATIONS

UL listed components



## PRODUCT CODES

Elise 32 (Silver):	ELIS 32 SLV
Elise 32 (Black):	ELIS 32 BLK
Elise 32 (Brass):	ELIS 32 BRA
Elise 48 (Silver):	ELIS 48 SLV
Elise 48 (Black):	ELIS 48 BLK
Elise 48 (Brass):	ELIS 48 BRA
Elise 48 (White Marble):	ELIS 48 WMB
Elise 48 (Black Marble):	ELIS 48 BMB
Elise 60 (Silver):	ELIS 60 SLV
Elise 60 (Black):	ELIS 60 BLK
Elise 60 (Brass):	ELIS 60 BRA
Elise 60 (White Marble):	ELIS 60 WMB
Elise 60 (Black Marble):	ELIS 60 BMB
Elise 80 (Silver):	ELIS 80 SLV
Elise 80 (Black):	ELIS 80 BLK
Elise 80 (Brass):	ELIS 80 BRA
Elise 80 (White Marble):	ELIS 80 WMB
Elise 80 (Black Marble):	ELIS 80 BMB

## PACKAGING WEIGHT AND DIMENSIONS

Elise 32:	8.95LBS	32.5" X 6" X 6"
	4.1KGS	83cm X 15cm X 15cm
Elise 48:	11.05LBS	53" X 6" X 6"
	5KGS	135cm X 15cm X 15cm
Elise 60:	12.2LBS	68" X 6" X 6"
	5.5KGS	173cm X 15cm X 15cm
Elise 80 Base:	13.1LBS	20" X 7" X 7"
	5.9KGS	51cm X 18cm X 18cm
Elise 80 Shade:	7.45LBS	68" X 6" X 6"
	3.4KGS	173cm X 15cm X 15cm

## NOTES

Custom requests can be considered on volume orders

Metal finishes are not available outside the US.



## FINISHES

### ALUMINUM BASE



FROSTED WHITE/  
SILVER



FROSTED WHITE/  
BRASS



FROSTED WHITE/  
BLACK

### MARBLE BASE (Available only in 48/60/80 sizes)

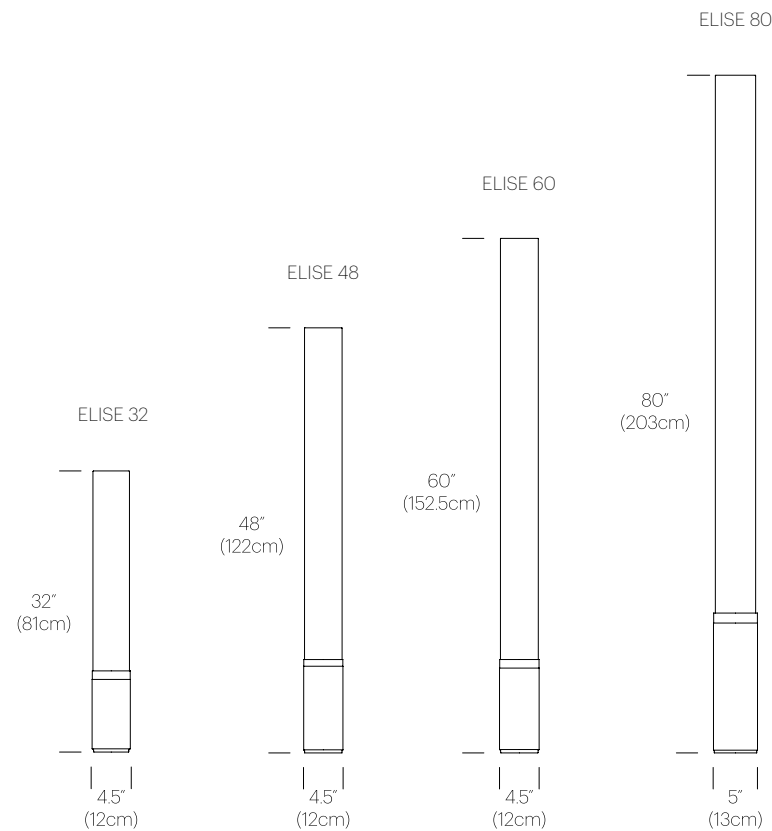


FROSTED WHITE/  
CARRARA WHITE



FROSTED WHITE/  
MARQUINA BLACK

## DIMENSIONS



# LANA

Inspired by a fusion of craft and advanced manufacturing, the Lana series is designed to adapt to any space. Lana is comprised of a unique magnetic felt shade that provides limitless attachment possibilities. The new collection debuts with a magnetic LED module which guarantees maximum freedom allowing the light to be attached to any ferrous surface bringing three distinct personalities: wall, table, and floor (with adjustable pedestal).

Designer:  
Pablo Studios 2015

Awards:  
2015 IDEX Gold Innovation Award





# LANA TABLE

## DESCRIPTION

Inspired by a fusion of craft and advanced manufacturing, the Lana series is designed to adapt to any space. Lana is comprised of a unique magnetic felt shade that provides limitless attachment possibilities. The new collection debuts with a magnetic LED module which guarantees maximum freedom allowing the light to be attached to any ferrous surface bringing three distinct personalities: wall, table, and floor (with adjustable pedestal).

## FIXTURE TYPE

Table

## LIGHT SOURCE

LED High-Output chip on board

## LIGHT CONTROL

Full range dim control 100%-10% (optical switch)  
2-stage step dim (100/40%)

## FEATURES

360° shade rotation  
Unlimited height adjustability  
Magnetic attachment

## SPECIFICATIONS

Voltage: 120-240V 50-60Hz  
Power consumption: 5.5W  
Color temperature: 3000K  
Luminosity: 350 Lumens  
Luminaire efficacy: 64 Lumens/Watt  
Color Rendition Index: 90+ CRI  
50K Hour lifespan  
Cable length: 9' (274cm)

## CERTIFICATIONS



## PRODUCT CODES

Table MINI White Stone/Grey:	LANA MINI TBL STN/GRY WHT
Table MINI White Charcoal/Grey:	LANA MINI TBL CHR/GRY WHT
Table MINI White Arctic Blue/Grey:	LANA MINI TBL ARCT/GRY WHT
Table MINI White Moss/Grey:	LANA MINI TBL MOSS/GRY WHT
Table MINI White Plum/Grey:	LANA MINI TBL PLUM/GRY WHT

Table MINI Chrome Stone/Grey:	LANA MINI TBL STN/GRY CRM
Table MINI Chrome Charcoal/Grey:	LANA MINI TBL CHR/GRY CRM
Table MINI Chrome Arctic Blue/Grey:	LANA MINI TBL ARCT/GRY CRM
Table MINI Chrome Moss/Grey:	LANA MINI TBL MOSS/GRY CRM
Table MINI Chrome Plum/Grey:	LANA MINI TBL PLUM/GRY CRM

Table SM White Stone/Grey:	LANA SML TBL STN/GRY WHT
Table SM White Charcoal/Grey:	LANA SML TBL CHR/GRY WHT
Table SM White Arctic Blue/Grey:	LANA SML TBL ARCT/GRY WHT
Table SM White Moss/Grey:	LANA SML TBL MOSS/GRY WHT
Table SM White Plum/Grey:	LANA SML TBL PLUM/GRY WHT

Table SM Chrome Stone/Grey:	LANA SML TBL STN/GRY CRM
Table Chrome Charcoal/Grey:	LANA SML TBL CHR/GRY CRM
Table Chrome Arctic Blue/Grey:	LANA SML TBL ARCT/GRY CRM
Table Chrome Moss/Grey:	LANA SML TBL MOSS/GRY CRM
Table Chrome Plum/Grey:	LANA SML TBL PLUM/GRY CRM

Table LG White Stone/Grey:	LANA LRG TBL STN/GRY WHT
Table LG White Charcoal/Grey:	LANA LRG TBL CHR/GRY WHT
Table LG White Arctic Blue/Grey:	LANA LRG TBL ARCT/GRY WHT
Table LG White Moss/Grey:	LANA LRG TBL MOSS/GRY WHT
Table LG White Plum/Grey:	LANA LRG TBL PLUM/GRY WHT

Table LG Chrome Stone/Grey:	LANA LRG TBL STN/GRY CRM
Table LG Chrome Charcoal/Grey:	LANA LRG TBL CHR/GRY CRM
Table LG Chrome Arctic Blue/Grey:	LANA LRG TBL ARCT/GRY CRM
Table LG Chrome Moss/Grey:	LANA LRG TBL MOSS/GRY CRM
Table LG Chrome Plum/Grey:	LANA LRG TBL PLUM/GRY CRM

## PACKAGING WEIGHT AND DIMENSIONS

Lana Table Mini:	5.8LBS	12" X 9.5" X 17"
	2.64KGS	30cm X 24cm X 52cm
Lana Table SM:	8.6LBS	12" X 9.5" X 17"
	4KGS	30cm X 24cm X 52cm
Lana Table LG:	10.9LBS	13.5" X 11" X 22"
	5KGS	34cm X 28cm X 56cm

## NOTES

Custom requests can be considered on volume orders

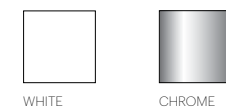


## FINISHES

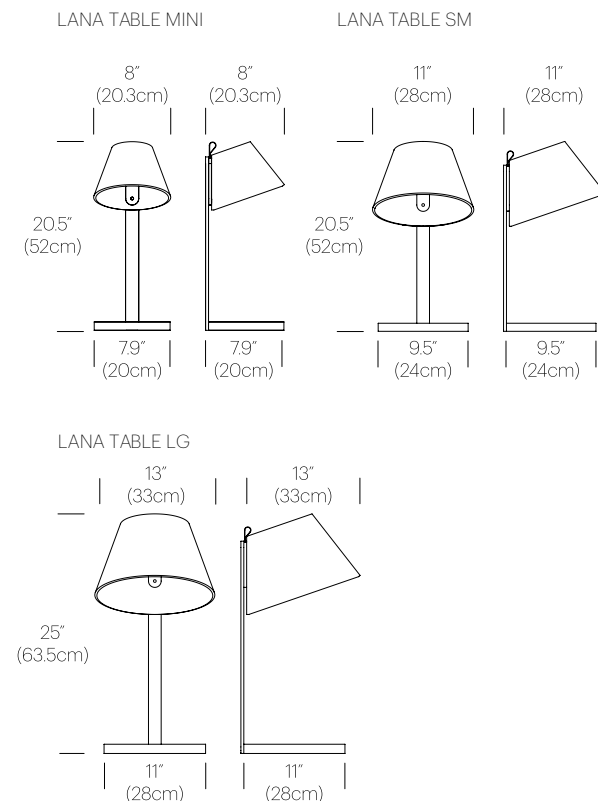
### SHADE



### BASE



## DIMENSIONS





# LANA FLOOR

## DESCRIPTION

Inspired by a fusion of craft and advanced manufacturing, the Lana series is designed to adapt to any space. Lana is comprised of a unique magnetic felt shade that provides limitless attachment possibilities. The new collection debuts with a magnetic LED module which guarantees maximum freedom allowing the light to be attached to any ferrous surface bringing three distinct personalities: wall, table, and floor.

## FIXTURE TYPE

Floor

## LIGHT SOURCE

LED High-Output chip on board

## LIGHT CONTROL

Full range dim control 100%-10% (optical switch)  
2-stage step dim (100/40%)

## FEATURES

360° shade rotation  
Unlimited height adjustability  
Magnetic attachment

## SPECIFICATIONS

Voltage: 120-240V 50-60Hz  
Power consumption: 5.5W  
Color temperature: 3000K  
Luminosity: 350 Lumens  
Luminaire efficacy: 64 Lumens/Watt  
Color Rendition Index: 90+ CRI  
50K Hour lifespan  
Cable length: 9' (274cm)  
Patent pending

## CERTIFICATIONS



## FINISHES

### SHADE



STONE/  
GREY



CHARCOAL/  
GREY



ARCTIC BLUE/  
GREY



MOSS/  
GREY



PLUM/  
GREY

### BASE



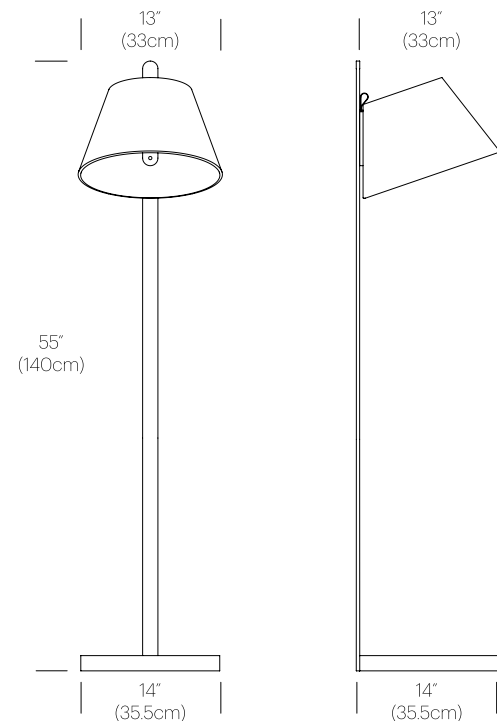
WHITE



CHROME

## DIMENSIONS

### LANA FLOOR



## PRODUCT CODES

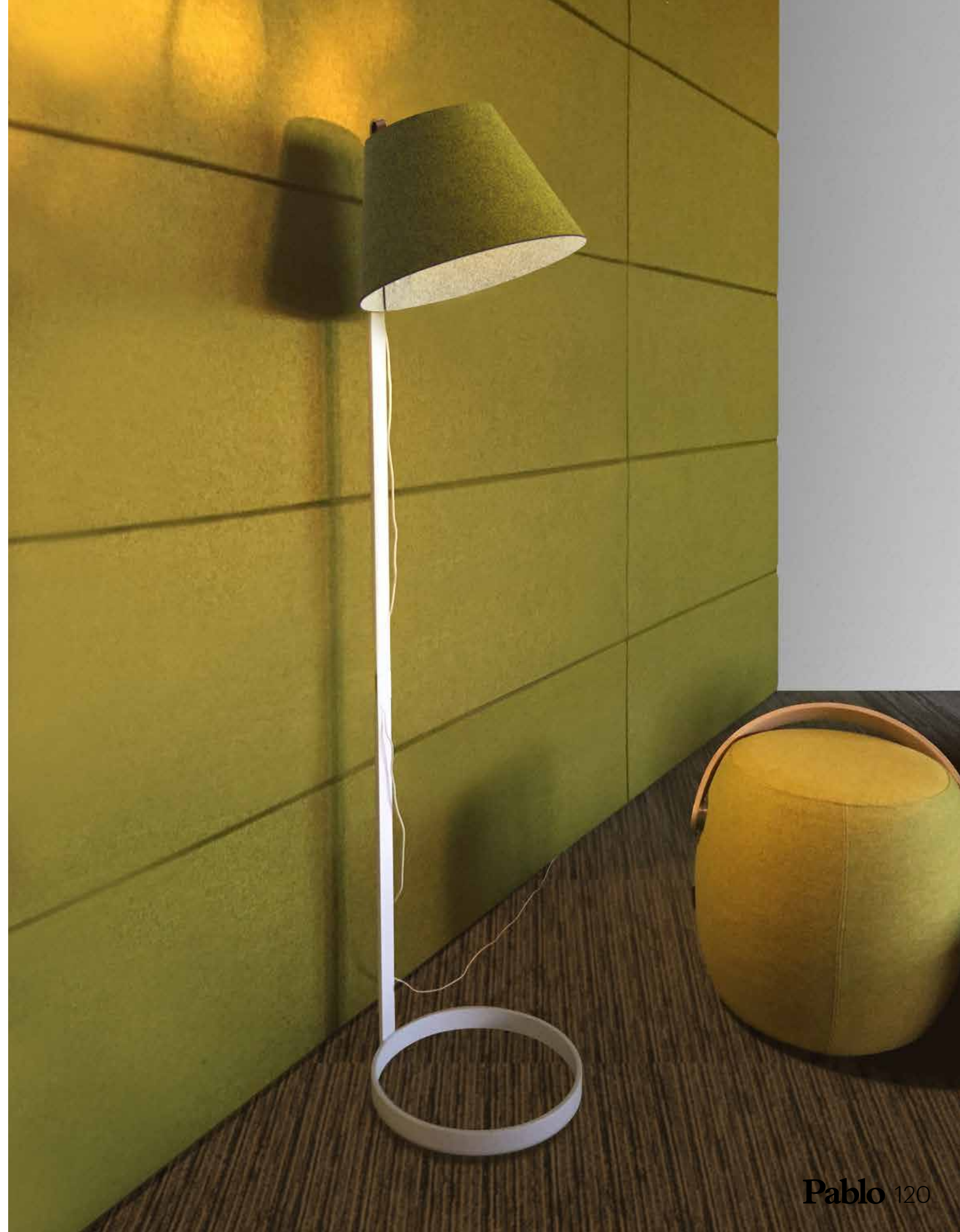
Floor White Stone/Grey:	LANA FLR STN/GRY WHT
Floor White Charcoal/Grey:	LANA FLR CHR/GRY WHT
Floor White Arctic Blue/Grey:	LANA FLR ARCT/GRY WHT
Floor White Moss/Grey:	LANA FLR MOSS/GRY WHT
Floor White Plum/Grey:	LANA FLR PLUM/GRY WHT
Floor Chrome Stone/Grey:	LANA FLR STN/GRY CRM
Floor Chrome Charcoal/Grey:	LANA FLR CHR/GRY CRM
Floor Chrome Arctic Blue/Grey:	LANA FLR ARCT/GRY CRM
Floor Chrome Moss/Grey:	LANA FLR MOSS/GRY CRM
Floor Chrome Plum/Grey:	LANA FLR PLUM/GRY CRM

## PACKAGING WEIGHT AND DIMENSIONS

Lana Floor:	7LBS	14" X 14" X 55"
	3.2KGS	35.5cm X 35.5cm X 140cm

## NOTES

Custom requests can be considered on volume orders



# LANA WALL

## DESCRIPTION

Inspired by a fusion of craft and advanced manufacturing, the Lana series is designed to adapt to any space. Lana is comprised of a unique magnetic felt shade that provides limitless attachment possibilities. The new collection debuts with a magnetic LED module which guarantees maximum freedom allowing the light to be attached to any ferrous surface bringing three distinct personalities: wall, table, and floor.

## FIXTURE TYPE

Wall

## LIGHT SOURCE

LED High-Output chip on board

## LIGHT CONTROL

Full range dim control 100%-10% (optical switch)  
2-stage step dim (100/40%)

## FEATURES

360° shade rotation  
Unlimited height adjustability  
Magnetic attachment

## SPECIFICATIONS

Voltage: 120-240V 50-60Hz  
Power consumption: 5.5W  
Color temperature: 3000K  
Luminosity: 350 Lumens  
Luminaire efficacy: 64 Lumens/Watt  
Color Rendition Index: 90+ CRI  
50K Hour lifespan  
Cable length: 9' (274cm)  
Patent pending

## CERTIFICATIONS



## FINISHES

### SHADE

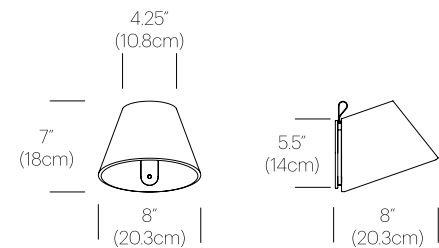


### WALL PLATE

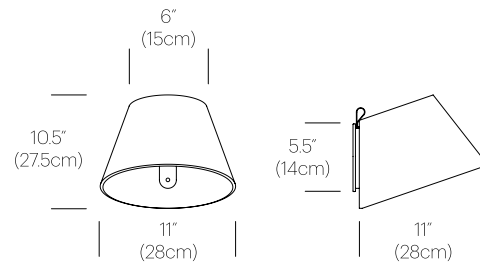


## DIMENSIONS

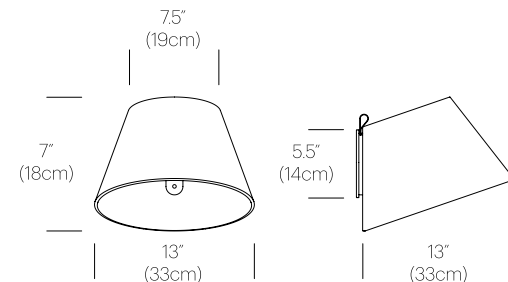
### LANA WALL MINI



### LANA WALL SM



### LANA WALL LG



## PRODUCT CODES

Wall MINI Stone/Grey:	LANA WALL MINI STN/GRY
Wall MINI Charcoal/Grey:	LANA WALL MINI CHR/GRY
Wall MINI Arctic Blue/Grey:	LANA WALL MINI ARCT/GRY
Wall MINI Moss/Grey:	LANA WALL MINI MOSS/GRY
Wall MINI Plum/Grey:	LANA WALL MINI PLUM/GRY

Wall SM Stone/Grey:	LANA WALL SML STN/GRY
Wall SM Charcoal/Grey:	LANA WALL SML CHR/GRY
Wall SM Arctic Blue/Grey:	LANA WALL SML ARCT/GRY
Wall SM Moss/Grey:	LANA WALL SML MOSS/GRY
Wall SM Plum/Grey:	LANA WALL SML PLUM/GRY

Wall LG Stone/Grey:	LANA WALL LRG STN/GRY
Wall LG Charcoal/Grey:	LANA WALL LRG CHR/GRY
Wall LG Arctic Blue/Grey:	LANA WALL LRG ARCT/GRY
Wall LG Moss/Grey:	LANA WALL LRG MOSS/GRY
Wall LG Plum/Grey:	LANA WALL LRG PLUM/GRY

## PACKAGING WEIGHT AND DIMENSIONS

Lana Wall SM:	2.65LBS	11.5" X 11.5" X 7.5"
	3KGS	29cm X 29cm X 19cm
Lana Wall LG:	3.05LBS	13" X 13" X 8.5"
	3KGS	33cm X 33cm X 21.5cm

## NOTES

Custom requests can be considered on volume orders





# LIM360 | LIM

A study in reductionism, LIM is not so much a lamp as it is a conduit of light. Its minimalist form shapes a plane of illumination powered by an equally minimalist light source — a continuous array of high-output, energy-efficient LEDs discreetly concealed in its armature. Along with a slim, rotatable arm that enables the user to redirect the light, LIM employs a magnetic attachment system that makes it effortlessly portable and adjustable. LIM is available in up to five different form factors enabling tabletop, floor, and undersurface mount applications.

Designer:

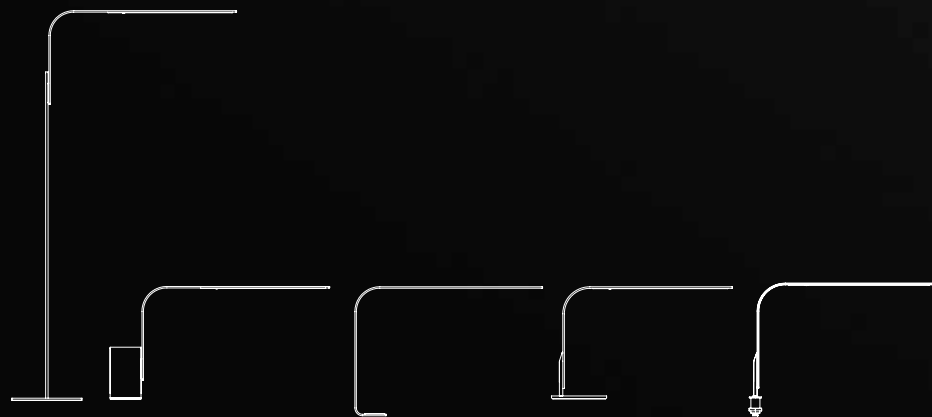
LIM: Pablo Pardo 2009

LIM360: Pablo Studio 2012

Awards:

2010 iF Product Design Award

2009 Best of Neocon Silver Award





# M TABLE

## DESCRIPTION

LIM is a revolutionary ultra-slim LED task light that is as fun to use as it is functional. LIM's "L" shaped arm discreetly conceals an array of high-output LEDs and utilizes a magnetic attachment system for effortless adjustment. LIM is available in four models: LIM table, LIM floor, LIM360 and LIM C under-surface.

## FIXTURE TYPE

Table

## LIGHT SOURCE

(91x) High-output LED array

## LIGHT CONTROL

Full range dim control 100%-10% (optical switch)

## FEATURES

- Magnetic attachment
- Advanced LED array eliminates multiple shadows
- Ships flat-packed
- OCC model available upon request

## SPECIFICATIONS

- Voltage: 120-240V 50-60Hz
- Power consumption: 7W
- Color temperature: 3000K
- Luminosity: 325 Lumens
- Luminaire efficacy: 46 Lumens/Watt
- Color Rendition Index: 85 CRI
- 50K Hour lifespan
- Cable length: 10' (304cm)
- Global multi-plug adapter available

## CERTIFICATIONS



## FINISHES



BRUSHED ALUMINUM

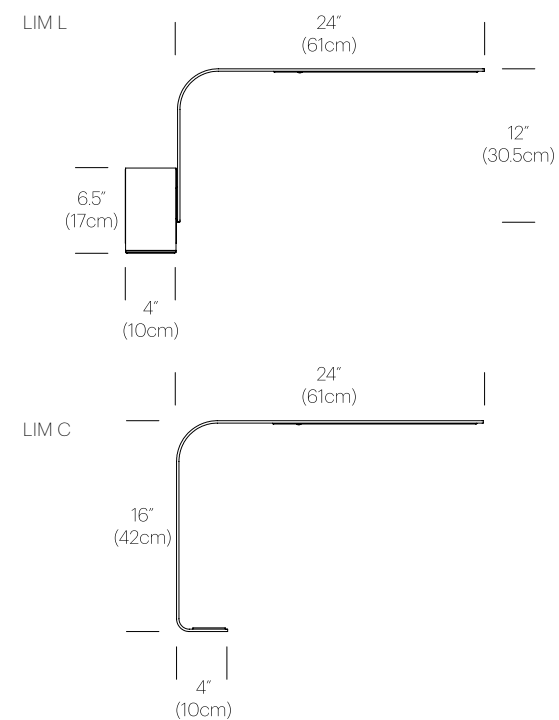


GRAPHITE



WHITE

## DIMENSIONS



## PRODUCT CODES

LIM L Table Brushed Silver:	LIM L TBL SLV BR
LIM L Table Black:	LIM L TBL BLK
LIM L Table White:	LIM L TBL WHT
LIM C Brushed Silver:	LIM C SLV
LIM C Black:	LIM C BLK
LIM C White:	LIM C WHT

## PACKAGING WEIGHT AND DIMENSIONS

LIM:	8.95LBS	25.5" X 13.5" X 2.5"
	4.1KGS	65cm X 34cm X 6cm

## NOTES

Occupancy sensor model available upon request  
Custom requests can be considered on volume orders



# LIM360 TABLE

## DESCRIPTION

LIM360 is an inspiringly simple and intelligently functional task lamp. Combining seamless movement with the most advanced LED technology and an integrated USB port for charging mobile devices, LIM360 brings thoughtful design to the forefront. Available in a range of sophisticated neutrals and expressive colors, LIM360 will elevate any environment.

## FIXTURE TYPE

Table

## LIGHT SOURCE

(91x) High-output LED array

## LIGHT CONTROL

Full range dim control 100%-10% (optical switch)

## FEATURES

- 360° arm rotation
- Advanced LED array eliminates multiple shadow
- USB-A charging port
- Ships flat-packed
- Removable insert
- OCC model available upon request

## SPECIFICATIONS

- Voltage: 120-240V 50-60Hz
- Power consumption: 7W
- Color temperature: 3000K
- Luminosity: 325 Lumens
- Luminaire efficacy: 46 Lumens/Watt
- Color Rendition Index: 85 CRI
- 50K Hour lifespan
- Cable length: 10' (304cm)
- Global multi-plug adapter available

## CERTIFICATIONS



## PRODUCT CODES

LIM 360 Aluminum/Silver:	LIM 360 ALU/SLV OPT
LIM 360 Aluminum/Walnut:	LIM 360 ALU/WAL OPT
LIM 360 Naranja/Walnut:	LIM 360 ORG/WAL OPT
LIM 360 White/Walnut:	LIM 360 WHT/WAL OPT
LIM 360 White/Silver:	LIM 360 WHT/SLV OPT
LIM 360 Black/Black:	LIM 360 BLK/BLK OPT
LIM 360 Black/Walnut:	LIM 360 BLK/WAL OPT
LIM 360 Brass/Brass:	LIM 360 BRA/BRA OPT
LIM 360 Copper/Copper:	LIM 360 COP/COP OPT
LIM 360 Surface Mount:	Special Order only

## PACKAGING WEIGHT AND DIMENSIONS

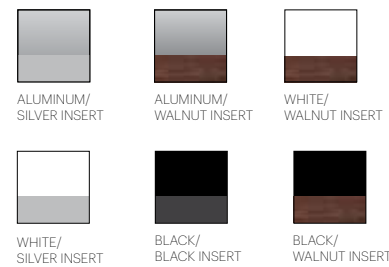
LIM360:	4.9LBS	25.5" X 10" X 2.5"
	2.2KGS	65cm X 25cm X 6cm

## NOTES

- Occupancy sensor model available upon request
- Custom requests can be considered on volume orders

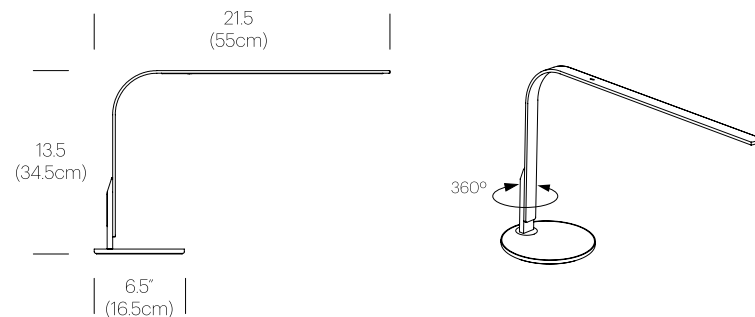


## FINISHES

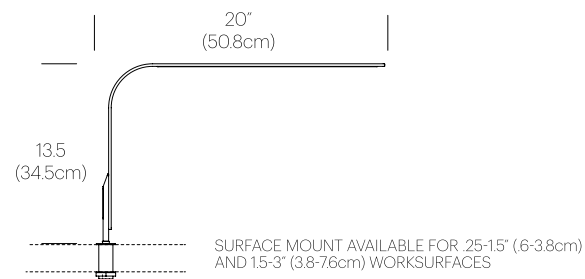


## DIMENSIONS

LIM 360 TABLE



LIM 360 SURFACE MOUNT



# LIM FLOOR

## DESCRIPTION

LIM is a revolutionary ultra-slim LED task light that is as fun to use as it is functional. LIM's "L" shaped arm discreetly conceals an array of high-output LEDs and utilizes a magnetic attachment system for effortless adjustment. LIM is available in four models: LIM table, LIM floor, LIM360 and LIM C under-surface.

## FIXTURE TYPE

Floor

## LIGHT SOURCE

(91x) High-output LED array

## LIGHT CONTROL

Full range dim control 100%-10% (optical switch)

## FEATURES

Magnetic attachment  
Advanced LED array eliminates multiple shadows  
Ships flat-packed  
OCC model available upon request

## SPECIFICATIONS

Voltage: 120-240V 50-60Hz  
Power consumption: 7W  
Color temperature: 3000K  
Luminosity: 325 Lumens  
Luminaire efficacy: 46 Lumens/Watt  
Color Rendition Index: 85 CRI  
50K Hour lifespan  
Cable length: 10' (304cm)  
Global multi-plug adapter available

## CERTIFICATIONS



## PRODUCT CODES

LIM L Floor Brushed Silver:	LIM L FLR SLV BR OPT
LIM L Floor Black:	LIM L FLR BLK OPT
LIM L Floor White:	LIM L FLR WHT OPT
LIM L (arm only) Brushed Silver:	LIM L ARM SLV OPT
LIM L (arm only) Black:	LIM L ARM BLK OPT
LIM L (arm only) White:	LIM L ARM WHT OPT

## PACKAGING WEIGHT AND DIMENSIONS

LIM Floor:	12.85LBS	45" X 13.5" X 2.5"
	5.8KGS	114cm X 34cm X 6cm

## NOTES

Occupancy sensor model available upon request  
Custom requests can be considered on volume orders

129 **Pablo**



## FINISHES



BRUSHED ALUMINUM



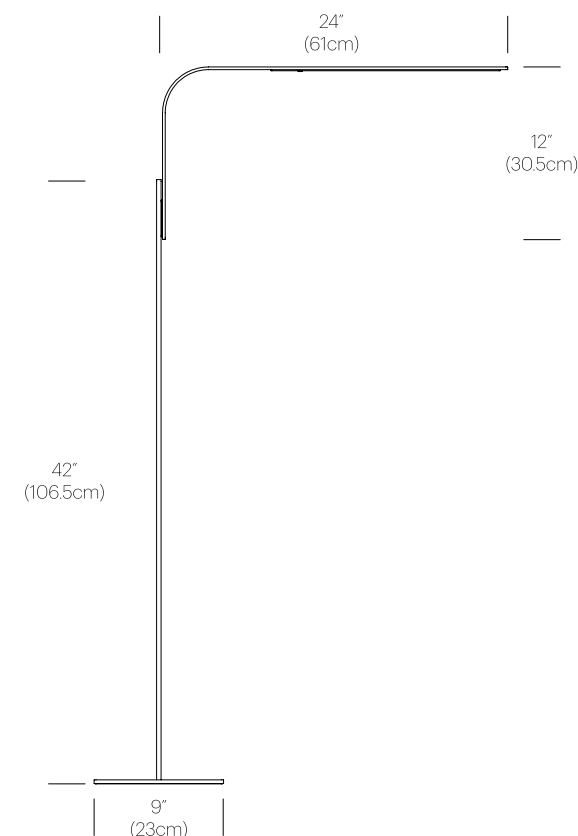
GRAPHITE



WHITE

## DIMENSIONS

### LIM FLOOR



**Pablo** 130

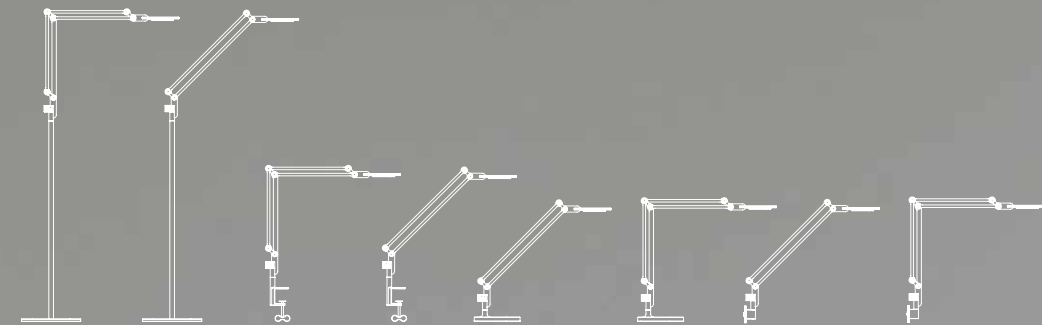


# LINK

Link modernizes the classic pantograph task lamp, incorporating the most advanced LED lighting technology to date. Designed with a dual-purpose shade/handle, Link seamlessly balances performance and style to satisfy focused lighting needs in any environment. The wide range of Link models include medium and small table, floor, clamp, and wall mount options to accommodate all residential, office, and hospitality task lighting applications.

Designer:  
Peter Stathis 2008/2009

Awards:  
2009 IDEA Silver Award  
2009 I.D Annual Design Review Honoree  
2009 Spark Design Award  
2008 ICFF Editor's Choice Award



# LINK TABLE

## DESCRIPTION

Link modernizes the classic pantograph task lamp, incorporating the most advanced LED lighting technology to date. Designed with a dual-purpose shade/handle, Link seamlessly balances performance and style to satisfy focused lighting needs in any environment. The wide range of Link models include medium and small table, floor, clamp, and wall mount options to accommodate all residential, office, and hospitality task lighting applications.

## FIXTURE TYPE

Table

## LIGHT SOURCE

(99x) High-output LED array

## LIGHT CONTROL

Rocker switch (high, low, off)

## FEATURES

- 360° rotation at base
- Full-range height adjustability
- 180° front to back head tilt
- Advanced LED array eliminates multiple shadows
- Ships flat-packed
- OCC model available upon request

## SPECIFICATIONS

- Voltage: 120-240V 50-60Hz
- Power Consumption: 7.5W
- Color Temperature: 3000K
- Luminosity: 350 Lumens
- Luminaire efficacy: 47 Lumens/Watt
- Color Rendition Index: 90 CRI
- 50K hour lifespan
- Cable length: 8' (244cm)
- Global multi-plug adapter available

## CERTIFICATIONS



## PRODUCT CODES

Link Medium Table (Silver):	LINK MED TBL SLV
Link Medium Table (White):	LINK MED TBL WHT
Link Medium Table (Black):	LINK MED TBL BLK
Link Small Table (Silver):	LINK SML TBL SLV
Link Small Table (White):	LINK SML TBL WHT
Link Small Table (Black):	LINK SML TBL BLK

Link USB (White)	LINK USB
Link Small Surface Mount:	Special order only
Link Medium Surface Mount:	Special order only

## PACKAGING WEIGHT AND DIMENSIONS

Link Small:	3.05LBS	33" X 6.5" X 4.5"
	1.4KGS	84cm X 17cm X 11cm
Link Medium:	3.25LBS	33" X 6.5" X 4.5"
	1.5KGS	84cm X 17cm X 11cm
Link Table Base:	7.65LBS	12.5" X 12" X 4"
	3.5KGS	32cm X 30cm X 10cm

## NOTES

Occupancy sensor model available upon request  
 Custom requests can be considered on volume orders  
 Link USB sold separately



## FINISHES



WHITE



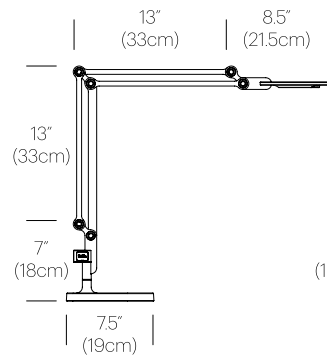
BLACK



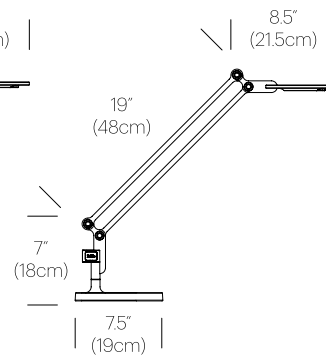
SILVER

## DIMENSIONS

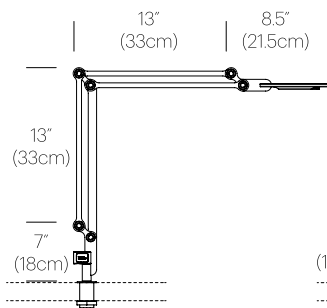
LINK MEDIUM TABLE



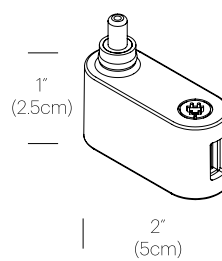
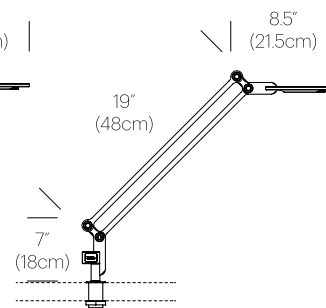
LINK SMALL TABLE



LINK MEDIUM SURFACE MOUNT



LINK SMALL SURFACE MOUNT



LINK USB PORT ADD-ON

SURFACE MOUNT AVAILABLE FOR 2-12" (5-3cm)  
 AND 1.2-3" (3-7.6cm) WORKSURFACES



# LINK CLAMP

## DESCRIPTION

Link modernizes the classic pantograph task lamp, incorporating the most advanced LED lighting technology to date. Designed with a dual-purpose shade/handle, Link seamlessly balances performance and style to satisfy focused lighting needs in any environment. The wide range of Link models include medium and small table, floor, clamp, and wall mount options to accommodate all residential, office, and hospitality task lighting applications.

## FIXTURE TYPE

Table

## LIGHT SOURCE

(99x) High-output LED array

## LIGHT CONTROL

Rocker switch (high, low, off)

## FEATURES

- 360° rotation at base
- Full-range height adjustability
- 180° front to back head tilt
- Advanced LED array eliminates multiple shadows
- Hi-low dim control
- Ships flat-packed
- OCC model available upon request

## SPECIFICATIONS

- Voltage: 120-240V 50-60Hz
- Power Consumption: 7.5W
- Color Temperature: 3000K
- Luminosity: 350 Lumens
- Luminaire efficacy: 47 Lumens/Watt
- Color Rendition Index: 90 CRI
- 50K hour lifespan
- Cable length: 8' (244cm)
- Global multi-plug adapter available

## CERTIFICATIONS



## PRODUCT CODES

Link Medium Clamp (Silver):	LINK MED CLP SLV
Link Medium Clamp (White):	LINK MED CLP WHT
Link Medium Clamp (Black):	LINK MED CLP BLK
Link Small Clamp (Silver):	LINK SML CLP SLV
Link Small Clamp (White):	LINK SML CLP WHT
Link Small Clamp (Black):	LINK SML CLP BLK
Link USB (White):	LINK USB
Link Small Surface Mount:	Special order only
Link Medium Surface Mount:	Special order only

## PACKAGING WEIGHT AND DIMENSIONS

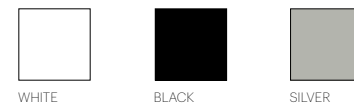
Link Clamp Small:	3.4LBS	33.5" X 7" X 4.5"
	1.5KGS	85cm X 18cm X 11cm
Link Clamp Medium:	3.6LBS	33" X 6.5" X 4.5"
	1.6KGS	84cm X 17cm X 11cm

## NOTES

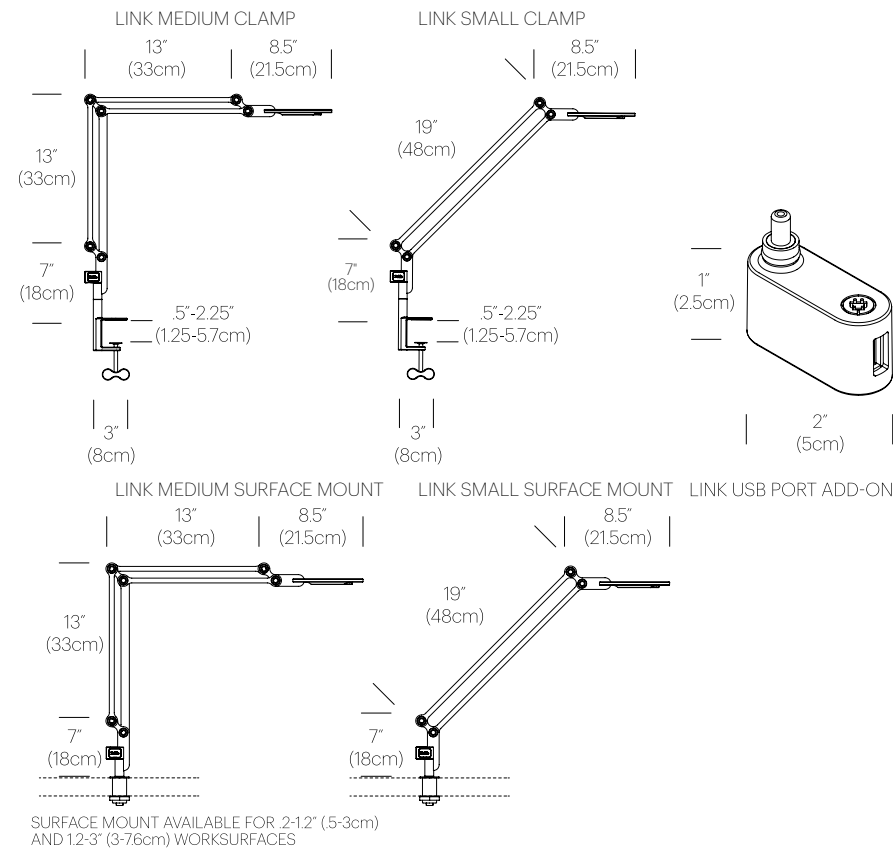
Occupancy sensor model available upon request  
 Custom requests can be considered on volume orders  
 Link USB sold separately



## FINISHES



## DIMENSIONS





# LINK FLOOR

## DESCRIPTION

Link modernizes the classic pantograph task lamp, incorporating the most advanced LED lighting technology to date. Designed with a dual-purpose shade/handle, Link seamlessly balances performance and style to satisfy focused lighting needs in any environment. The wide range of Link models include medium and small table, floor, clamp, and wall mount options to accommodate all residential, office, and hospitality task lighting applications.

## FIXTURE TYPE

Floor

## LIGHT SOURCE

(99x) High-output LED array

## LIGHT CONTROL

Rocker switch (high, low, off)

## FEATURES

360° rotation at base  
Full-range height adjustability  
180° front to back head tilt  
Advanced LED array eliminates multiple shadows  
Ships flat-packed  
OCC model available upon request

## SPECIFICATIONS

Voltage: 120-240V 50-60Hz  
Power Consumption: 7.5W  
Color Temperature: 3000K  
Luminosity: 350 Lumens  
Luminaire efficacy: 47 Lumens/Watt  
Color Rendition Index: 90 CRI  
50K hour lifespan  
Cable length: 8' (244cm)  
Global multi-plug adapter available

## CERTIFICATIONS



## FINISHES



WHITE



BLACK

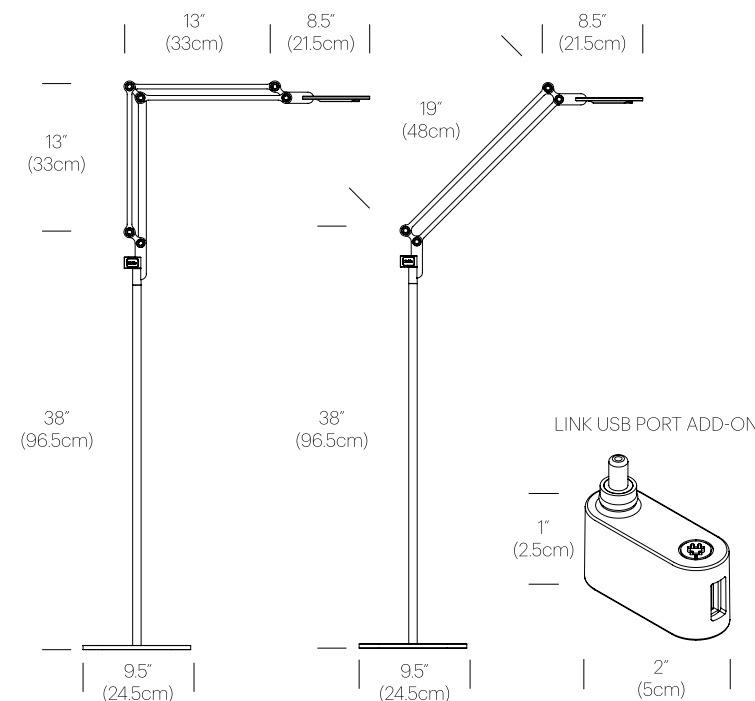


SILVER

## DIMENSIONS

LINK MEDIUM FLOOR

LINK SMALL FLOOR



## PRODUCT CODES

Link Medium Floor (Silver):	LINK MED FLR SLV
Link Medium Floor (White):	LINK MED FLR WHT
Link Medium Floor (Black):	LINK MED FLR BLK
Link Small Floor (Silver):	LINK SML FLR SLV
Link Small Floor (White):	LINK SML FLR WHT
Link Small Floor (Black):	LINK SML FLR BLK
Link USB (White):	LINK USB

## PACKAGING WEIGHT AND DIMENSIONS

Link Small:	3.05LBS 1.4KGS	33" X 6.5" X 4.5" 84cm X 17cm X 11cm
Link Medium:	3.25LBS 1.5KGS	33" X 6.5" X 4.5" 84cm X 17cm X 11cm
Link Floor Base:	10.1LBS 4.6KGS	12.5" X 12" X 1.5" 32cm X 30cm X 4cm

## NOTES

Occupancy sensor model available upon request  
Custom requests can be considered on volume orders



# LINK WALL

## DESCRIPTION

Link modernizes the classic pantograph task lamp, incorporating the most advanced LED lighting technology to date. Designed with a dual-purpose shade/handle, Link seamlessly balances performance and style to satisfy focused lighting needs in any environment. The wide range of Link models include medium and small table, floor, clamp, and wall mount options to accommodate all residential, office, and hospitality task lighting applications.

## FIXTURE TYPE

Wall

## LIGHT SOURCE

(99x) High-output LED array

## LIGHT CONTROL

Rocker switch (high, low, off)

## FEATURES

- 180° rotation at base
- Full-range height adjustability
- 180° front to back head tilt
- Advanced LED array eliminates multiple shadows
- Ships flat-packed
- OCC model available upon request

## SPECIFICATIONS

- Voltage: 120-240V 50-60Hz
- Power Consumption: 7.5W
- Color Temperature: 3000K
- Luminosity: 350 Lumens
- Luminaire efficacy: 47 Lumens/Watt
- Color Rendition Index: 90 CRI
- 50K hour lifespan
- Cable length: 8' (244cm)
- Global multi-plug adapter available

## CERTIFICATIONS



## PRODUCT CODES

Link Medium Wall (Silver):	LINK MED WAL SLV
Link Medium Wall (White):	LINK MED WAL WHT
Link Medium Wall (Black):	LINK MED WAL BLK
Link Small Wall (Silver):	LINK SML WAL SLV
Link Small Wall (White):	LINK SML WAL WHT
Link Small Wall (Black):	LINK SML WAL BLK
Link USB (White):	LINK USB

## PACKAGING WEIGHT AND DIMENSIONS

Link Wall Small:	3.4LBS 1.5KGS	33.5" X 7" X 4.5" 85cm X 18cm X 11cm
Link Wall Medium:	3.6LBS 1.6KGS	33" X 6.5" X 4.5" 84cm X 17cm X 11cm

## NOTES

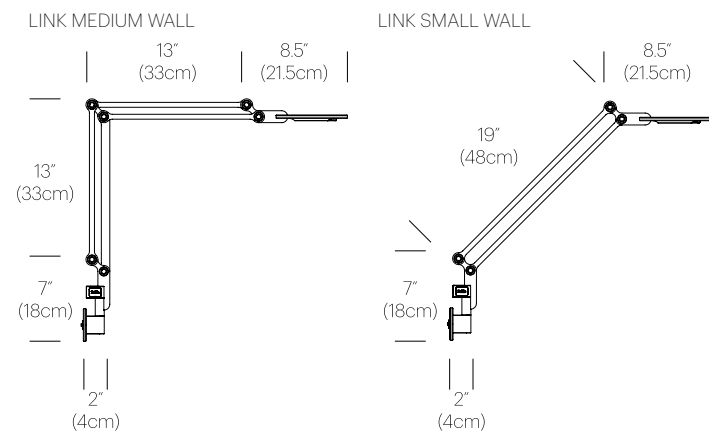
- Occupancy sensor model available upon request
- Custom requests can be considered on volume orders
- Link USB sold separately



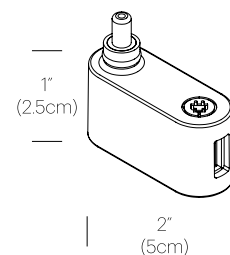
## FINISHES



## DIMENSIONS



## LINK USB PORT ADD-ON



# LUCI

Luci is a fully rechargeable portable luminaire that allows you to take your ambiance wherever you go indoors and out. Defined by its simplicity of form and high tactile feel, Luci features an all-machined aluminum body that's premium to the touch and brings elegance to any intimate moment or social gathering. Representing the future of illumination, Luci features state of the art Warm Dim light technology with 3 preset light level plus full range dimming which are activated via optical switch atop the shade. Luci also boasts a best-in-class battery life to provide many hours of untethered illumination between charges. Available in both table and floor standing models, Luci is offered in three anodized machine trace finishes in Silver, Brass, Black and textured Matte White.

Designer:  
Pablo Pardo + Pablo Studio 2021





# LUCI TABLE

## DESCRIPTION

Luci is a fully rechargeable portable luminaire that allows you to take your ambiance wherever you go indoors and out. Defined by its simplicity of form and high tactile feel, Luci features an all-machined aluminum body that's premium to the touch and brings elegance to any intimate moment or social gathering. Representing the future of illumination, Luci features state of the art Dim to Warm light technology with 3 preset light level plus full range dimming which are activated via optical switch atop the shade. Luci also boasts a best-in-class battery life to provide many hours of untethered illumination between charges. Luci Table is recharged via USB-C charging port located on the base. Available in both table and floor standing models, Luci is offered in three anodized machine trace finishes in Silver, Brass, Black and textured Matte White.

## FIXTURE TYPE

Table

## LIGHT SOURCE

Flat Panel LED

## LIGHT CONTROL

Optical switch

Full range dimming (100-10%)

3-stage dimming (100/40/10%)

## FEATURES

Portable and rechargeable

24-230 hr Battery life

USB-C charging cable included

## SPECIFICATIONS

Power Consumption: 2.1W

Color Temperature: 2700K - 2200K (Warm dim)

Luminosity: 150 Lumens

Luminaire efficacy: 72 Lumens/Watt

Color Rendition Index: 90+ CRI

Cable Length: 6' (182cm)(included)

6 hr charge time (using 10W power block, not included)

IP54 damp rated

## CERTIFICATIONS



## PRODUCT CODES

Luci Table Black :	LUCI TBL BLK
Luci Table Brass:	LUCI TBL BRA
Luci Table Silver:	LUCI TBL SLV
Luci Table White:	LUCI TBL WHT

## PACKAGING WEIGHTS AND DIMENSIONS

Luci Table:	2.5LBS	5.5" X 5.5" X 11.5"
	1.1KG	14cm X 14cm X 30cm

## NOTES

Custom requests can be considered on volume orders



## FINISHES

LUCI TABLE



BLACK



WHITE



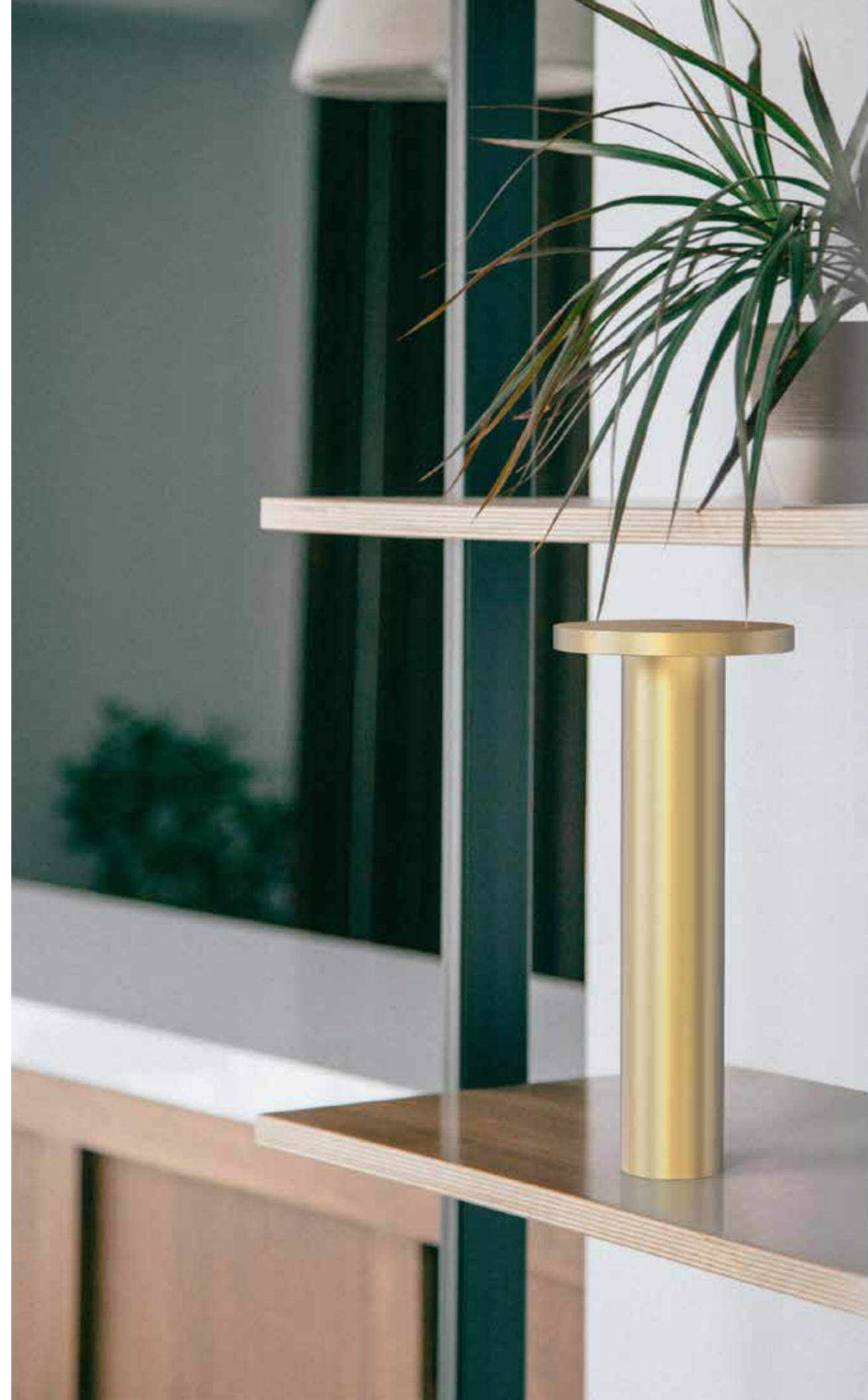
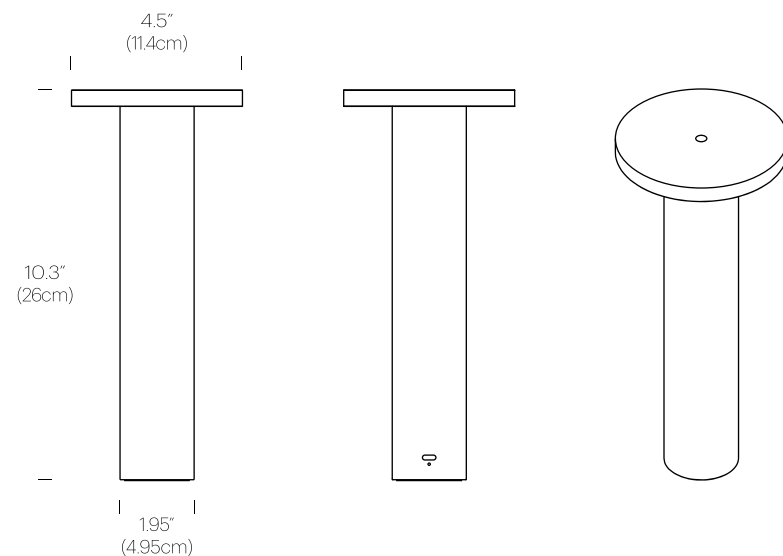
SILVER



BRASS

## DIMENSIONS

LUCI TABLE



# LUCI FLOOR

## DESCRIPTION

Luci is a fully rechargeable portable luminaire that allows you to take your ambiance wherever you go indoors and out. Defined by its simplicity of form and high tactile feel, Luci features an all-machined aluminum body that's premium to the touch and brings elegance to any intimate moment or social gathering. Representing the future of illumination, Luci features state of the art Warm Dim light technology with 3 preset light level plus full range dimming which are activated via optical switch atop the shade. Luci also boasts a best-in-class battery life to provide many hours of untethered illumination between charges. Available in both table and floor standing models, Luci is offered in three anodized machine trace finishes in Silver, Brass, Black and textured Matte White.

## FIXTURE TYPE

Floor

## LIGHT SOURCE

Flat panel LED

## LIGHT CONTROL

Optical switch

Full range dimming (100-10%)

3-stage dimming (100/40/10%)

## FEATURES

Portable and rechargeable

11-110 hr Battery life

## SPECIFICATIONS

Voltage: 120-240V 50/60Hz

Power Consumption: 5.3W

Color Temperature: 2700K-2200K (warm dim)

Luminosity: 350 Lumens

Luminaire efficacy: 66 Lumens/Watt

Color Rendition Index: 90+ CRI

Cable Length: 9'(2.7m)

5 hr charge time (using included 24W power block)

IP54 damp rated

## CERTIFICATIONS



## PRODUCT CODES

Luci Floor Black:	LUCI FLR BLK
Luci Floor Brass:	LUCI FLR BRA
Luci Floor Silver:	LUCI FLR SLV
Luci Floor White:	LUCI FLR WHT

## PACKAGING WEIGHTS AND DIMENSIONS

Luci Floor:	9LBS	11" X 23" X 3"
	4KG	28cm X 58cm X 7.6cm

## NOTES

Custom requests can be considered on volume orders



## FINISHES

LUCI FLOOR



WHITE



BLACK



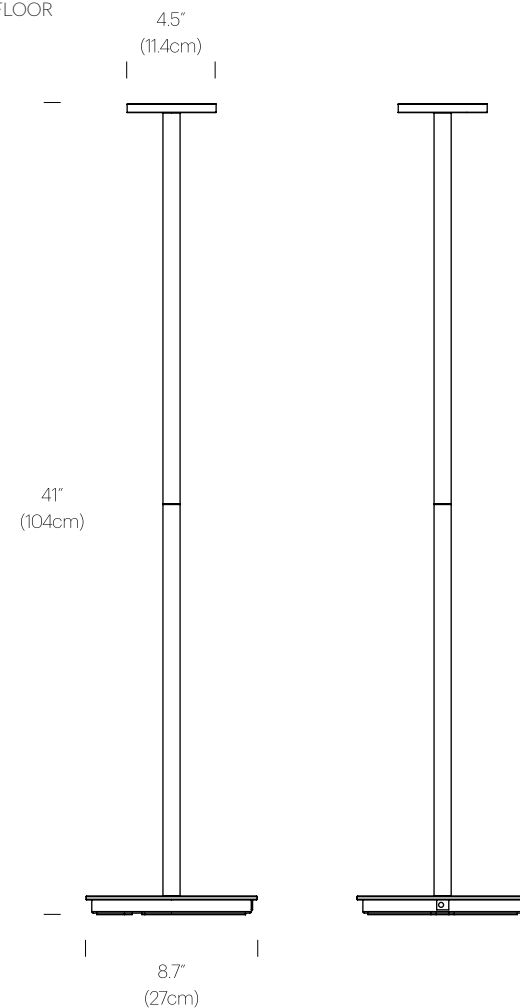
BRASS



SILVER

## DIMENSIONS

LUCI FLOOR





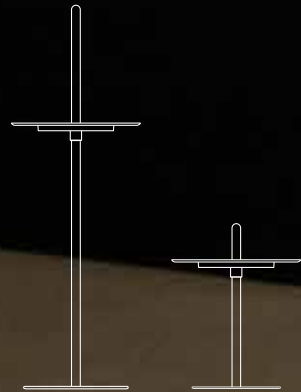




# NIVÉL PEDESTAL

At the intersection of functional lighting and furniture, you find Nivel. As an adjustable height side table, Nivel provides a totem to gather around. Portable and rechargeable, Nivel enables users to bring light to areas not serviced by power outlets. Sturdy enough to rest a few beverages atop while nimble enough to be raised or lowered at a moment's notice. Its cleverly designed light module rests securely fastened around a solid wood post fastened to a powder-coated steel base for added footing. A soft ambient downward facing light panel completes the package, bringing an unobtrusive light source to your home or office space. The post is offered in both solid oak and walnut and can be paired with a powder-coated tray in white, terracotta, and black.

Designer:  
Pablo Pardo + Pablo Studio 2022





# NIVÉL PEDESTAL SM & LG

## DESCRIPTION

At the intersection of functional lighting and furniture, you find Nivel. As an adjustable height side table, Nivel provides a totem to gather around. Portable and rechargeable, Nivel enables users to bring light to areas not serviced by power outlets. Sturdy enough to rest a few beverages atop while nimble enough to be raised or lowered at a moment's notice. Its cleverly designed light module rests securely fastened around a solid wood post fastened to a powder-coated steel base for added footing. A soft ambient downward facing light panel completes the package, bringing an unobtrusive light source to your home or office space. The post is offered in both solid oak and walnut and can be paired with a powder-coated tray in white, terracotta, and black.

## FIXTURE TYPE

Floor

## LIGHT SOURCE

Flat Panel LED

## LIGHT CONTROL

Capacitive touch switch (3-stage dimming: 100/40/5%)

## FEATURES

Portable and rechargeable  
Adjustable height tray surface  
USB-C charging port  
8-160 hr Battery life

## SPECIFICATIONS

Voltage: 120-240V 50/60Hz  
Power Consumption: 6W  
Color Temperature: 2700-2200K (warm dim)  
Luminosity: 350 Lumens  
Luminaire Efficacy: 58 Lumens/Watt  
Color Rendition Index: 95 CRI  
Cord length 9' (2.7m)  
8 hr charge time (using included 10W power plug)  
IP54 damp rated

## CERTIFICATIONS



## PRODUCT CODES

Nivel Pedestal Small(Oak/Black):	NIVE PED SML OAK BLK
Nivel Pedestal Small(Oak/Terracotta):	NIVE PED SML OAK TER
Nivel Pedestal Small(Oak/White):	NIVE PED SML OAK WHT
Nivel Pedestal Small(Walnut/Black):	NIVE PED SML WAL BLK
Nivel Pedestal Small(Walnut/Terracotta):	NIVE PED SML WAL TER
Nivel Pedestal Small(Walnut/White):	NIVE PED SML WAL WHT
Nivel Pedestal Large(Oak/Black):	NIVE PED LRG OAK BLK
Nivel Pedestal Large(Oak/Terracotta):	NIVE PED LRG OAK TER
Nivel Pedestal Large(Oak/White):	NIVE PED LRG OAK WHT
Nivel Pedestal Large(Walnut/Black):	NIVE PED LRG WAL BLK
Nivel Pedestal Large(Walnut/Terracotta):	NIVE PED LRG WAL TER
Nivel Pedestal Large(Walnut/White):	NIVE PED LRG WAL WHT

## PACKAGING WEIGHTS AND DIMENSIONS

Item	Weight	Dimensions
Nivel Pedestal SM	4.5LBS 2KG	17" X 18" X 5.25" 43cm X 46cm X 13cm
Nivel Pedestal LG	1.5LBS .7KG	2" X 2" X 50" 5cm X 5cm X 127cm
Nivel Pedestal LG (Lamp, base and tray)	4.5LBS 2KG	17" X 18" X 5.25" 43cm X 46cm X 13cm

## NOTES

Custom requests can be considered on volume orders  
Global plug adapters available upon request



## FINISHES

### POST



OAK



WALNUT

### TRAY



WHITE



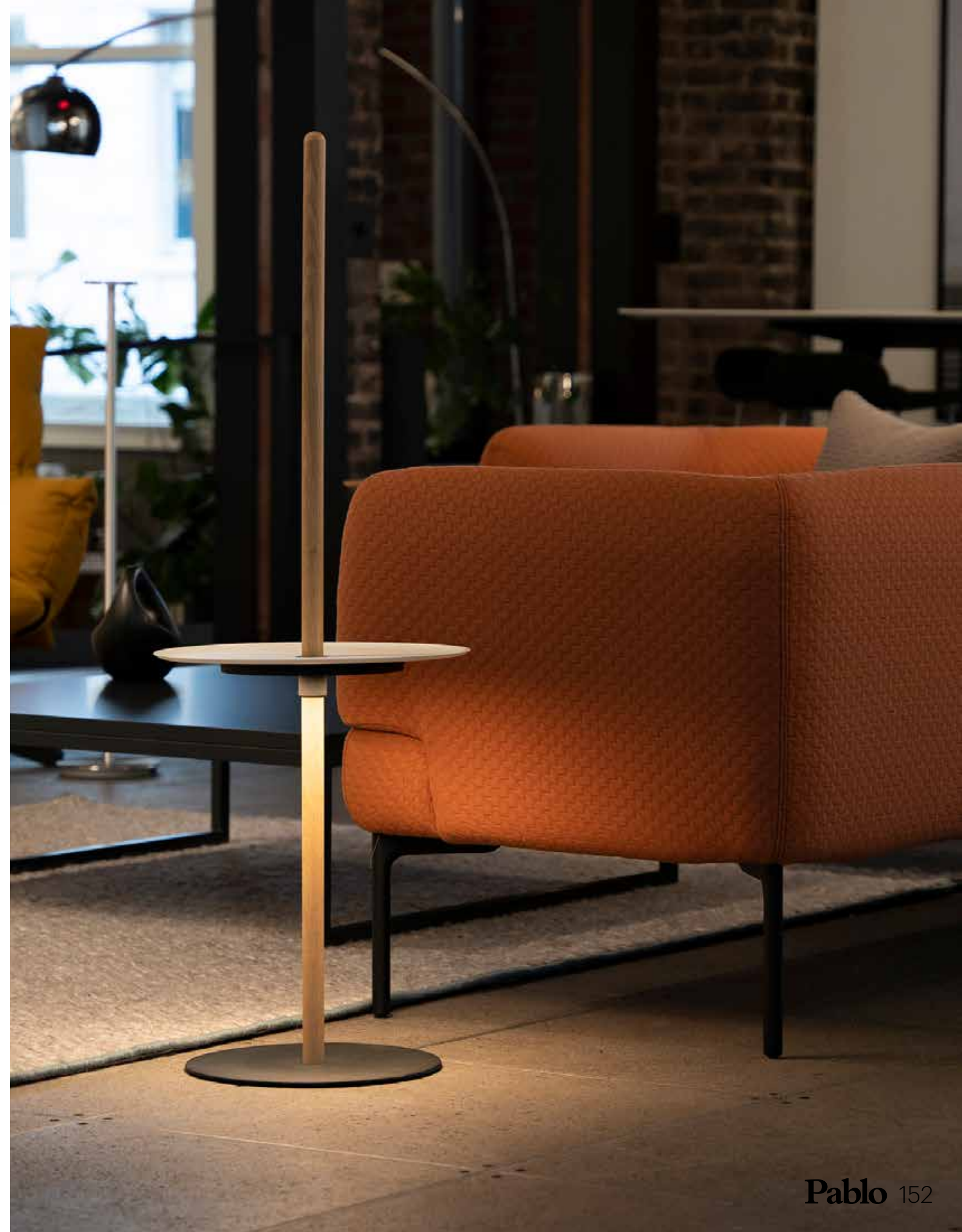
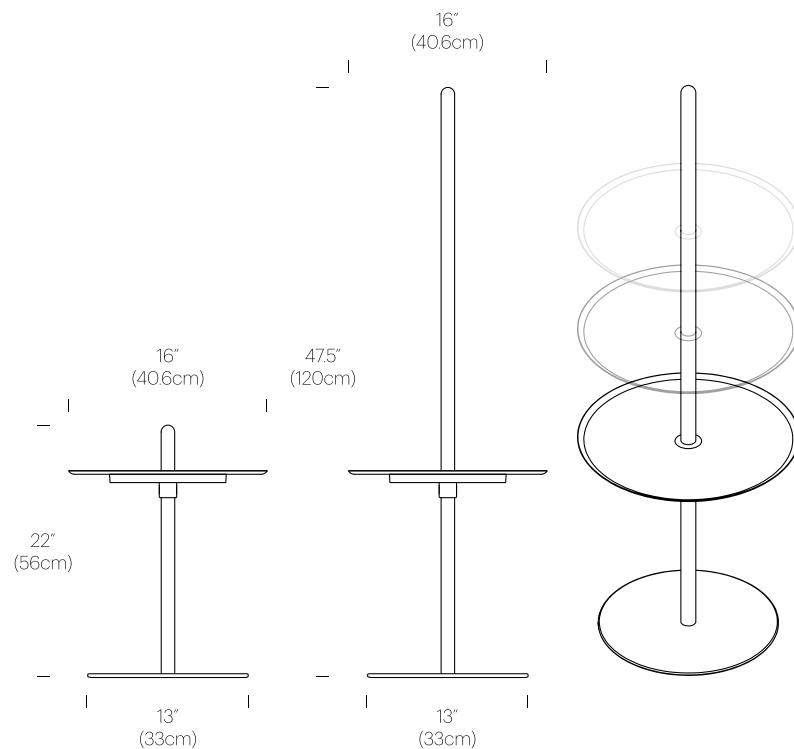
TERRACOTTA



BLACK

## DIMENSIONS

NIVÉL PEDESTAL SMALL & LARGE

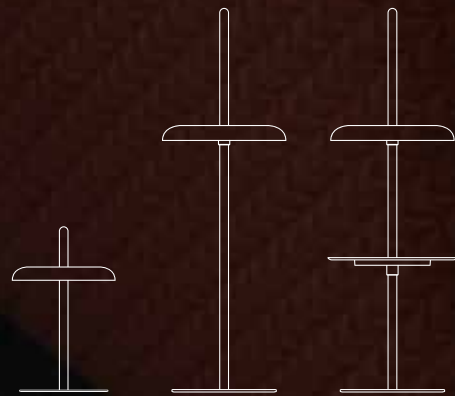




# NIVÉL TABLE AND FLOOR

At the intersection of functional lighting and furniture, Nivel brings warm and dynamic illumination to any residential, hospitality or work space. The Nivel portable collection consists of rechargeable, battery powered table and floorstanding lights that allow for freedom of movement to bring light to areas not serviced by power outlets. Perfect for indoor and outdoor entertaining, Nivel instantly becomes the focal point of any social gathering and can be easily toted by its solid wood post handle. Its cleverly designed shade/light engine assembly can be easily raised and lowered to any desired height around its crafted wooden post to provide maximum light control depending on user preference. Nivel table and floor shades are offered in 6 painted colorways: matted white, terracotta, forest green, slate blue, espresso and textured black and can be paired with either a white oak or walnut post. LED light engine features glare free flat panel light technology with best in class battery life of between 8-160 hours depending on light level.

Designer:  
Pablo Pardo + Pablo Studio 2022





# NIVÉL FLOOR

## DESCRIPTION

At the intersection of functional lighting and furniture, you find Nivel. Nivel Floor is an adjustable height portable floor lamp. Perfect for indoor or outdoor use, Nivel provides a totem to gather around. Portable and rechargeable, Nivel enables users to bring light to areas not serviced by power outlets. Its cleverly designed light module rests securely fastened around a solid wood post fastened to a powdercoated steel base for added footing. A soft ambient downward facing light panel completes the package, bringing an unobtrusive light source to your home or office space. The post is offered in both solid oak and walnut and can be paired with a powder-coated shade in white, terracotta, forrest green, slate blue, espresso and textured black.

## FIXTURE TYPE

Floor

## LIGHT SOURCE

Flat Panel LED

## LIGHT CONTROL

Capacitive touch switch (3-stage dimming: 100/40/5%)

## FEATURES

Portable and rechargeable  
Adjustable height tray surface  
USB-C charging port  
8-160 hr Battery life

## SPECIFICATIONS

Voltage: 120-240V 50/60Hz  
Power Consumption: 6W  
Color Temperature: 2700-2200K (warm dim)  
Luminosity: 350 Lumens  
Luminaire Efficacy: 58 Lumens/Watt  
Color Rendition Index: 95 CRI  
Cord length 9' (2.7m)  
8 hr charge time (using included 10W power plug)  
IP54 damp rated

## CERTIFICATIONS



## PRODUCT CODES

Nivel Floor (Oak/Black):	NIVE FLR OAK BLK
Nivel Floor (Oak/Slate Blue):	NIVE FLR OAK BLU
Nivel Floor (Oak/Espresso):	NIVE FLR OAK BRN
Nivel Floor (Oak/Forest):	NIVE FLR OAK GRN
Nivel Floor (Oak/Terracotta):	NIVE FLR OAK TER
Nivel Floor (Oak/White):	NIVE FLR OAK WHT
Nivel Floor (Walnut/Black):	NIVE FLR WAL BLK
Nivel Floor (Walnut/Slate Blue):	NIVE FLR WAL BLU
Nivel Floor (Walnut/Espresso):	NIVE FLR WAL BRN
Nivel Floor (Walnut/Forest):	NIVE FLR WAL GRN
Nivel Floor (Walnut/Terracotta):	NIVE FLR WAL TER
Nivel Floor (Walnut/White):	NIVE FLR WAL WHT

## PACKAGING WEIGHTS AND DIMENSIONS

Nivel Floor	4.5LBS	17" X 18" X 5.25"
(Lamp, base and tray)	2KG	43cm X 46cm X 13cm
Nivel Floor	1.5LBS	2" X 2" X 50"
(Post)	.7KG	5cm X 5cm X 127cm

## NOTES

Custom requests can be considered on volume orders



## FINISHES

### WOOD



OAK



WALNUT

### SHADE



BLACK



WHITE



TERRACOTTA



FOREST



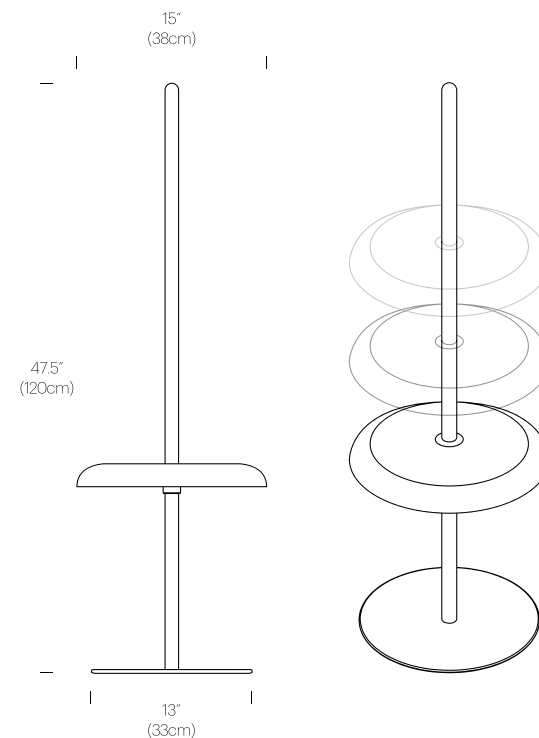
SLATE BLUE



ESPRESSO

## DIMENSIONS

### NIVÉL FLOOR





NIVEL FLOOR + PEDESTAL



# NIVÉL TABLE

## DESCRIPTION

At the intersection of functional lighting and furniture, you find Nivel. Nivel Table is an adjustable height portable light companion. Perfect for indoor or outdoor use, Nivel provides a totem to gather around. Portable and rechargeable, Nivel enables users to bring light to areas not serviced by power outlets. Its cleverly designed light module rests securely fastened around a solid wood post fastened to a powder-coated steel base for added footing. A soft ambient downward facing light panel completes the package, bringing an unobtrusive light source to your home or office space. The post is offered in both solid oak and walnut and can be paired with a powder-coated shade in white, terracotta, forest green, slate blue, espresso and textured black.

## FIXTURE TYPE

Portable-rechargeable

## LIGHT SOURCE

High output LED array

## LIGHT CONTROL

Capacitive touch switch (3-stage dimming: 100/40/5%)

## FEATURES

Portable and rechargeable  
Adjustable height tray surface  
USB-C charging port  
8-160 hr Battery life

## SPECIFICATIONS

Voltage: 120-240V 50/60Hz  
Power Consumption: 6W  
Color Temperature: 2700-2200K (warm dim)  
Luminosity: 350 Lumens  
Luminaire Efficacy: 58 Lumens/Watt  
Color Rendition Index: 95 CRI  
Cord length 6' (1.8m)  
8 hr charge time (using included 10W power plug)  
IP54 damp rated

## CERTIFICATIONS



## PRODUCT CODES

Nivel Table (Oak/Black):	NIVE TBL OAK BLK
Nivel Table (Oak/Slate Blue):	NIVE TBL OAK BLU
Nivel Table (Oak/Espresso):	NIVE TBL OAK BRN
Nivel Table (Oak/Forest):	NIVE TBL OAK GRN
Nivel Table (Oak/Terracotta):	NIVE TBL OAK TER
Nivel Table (Oak/White):	NIVE TBL OAK WHT
Nivel Table (Walnut/Black):	NIVE TBL WAL BLK
Nivel Table (Walnut/Slate Blue):	NIVE TBL WAL BLU
Nivel Table (Walnut/Espresso):	NIVE TBL WAL BRN
Nivel Table (Walnut/Forest):	NIVE TBL WAL GRN
Nivel Table (Walnut/Terracotta):	NIVE TBL WAL TER
Nivel Table (Walnut/White):	NIVE TBL WAL WHT

## PACKAGING WEIGHTS AND DIMENSIONS

Nivel Table	4.5LBS	14" X 14" X 4"
(Lamp, base and tray)	2KG	35cm X 35cm X 10cm
Nivel Table	1.5LBS	2" X 2" X 24"
(Post)	.7KG	5cm X 5cm X 61cm

## NOTES

Custom requests can be considered on volume orders



## FINISHES

### WOOD



OAK



WALNUT

### SHADE



BLACK



WHITE



TERRACOTTA



FOREST



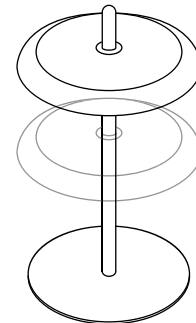
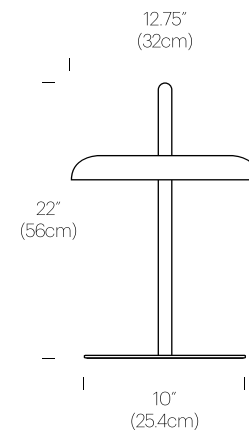
SLATE BLUE



ESPRESSO

## DIMENSIONS

### NIVÉL TABLE

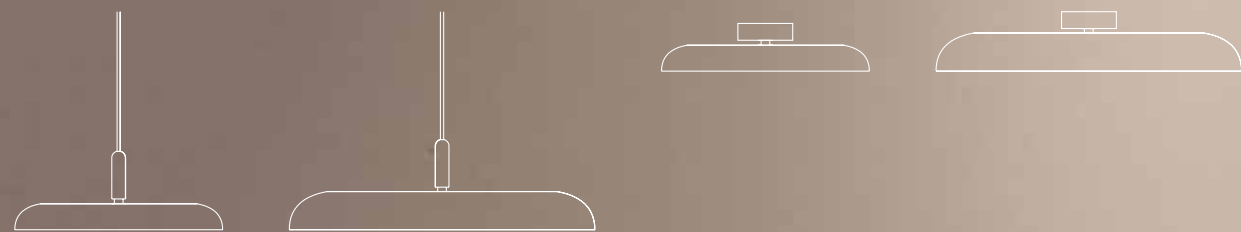




# NIVÉL PENDANT

Redefining the future in pendant illumination, Nivel's pure and elegant silhouette features a colorful pallet of spun shade forms combined with an articulating flat panel LED light engine that pivots gracefully on axis to focus light downward or as a wall wash to provide seamless light control for any space. Nivel pendant can be suspended individually or in large multi-light clusters powered by a single hardwired canopy allowing the user to reposition the lights to any desired height, span and directionality. Available in 2 sizes: 15"(38cm) and 22"(56cm) and 6 powder coated finishes in matte white, Terracotta, Forest Green, Slate Blue, Espresso and textured black with choice of black or white fabric cord and ceiling canopy. Nivel is also available in flush-mount variations for both sizes.

Designer:  
Pablo Pardo + Pablo Studio 2022



# NIVÉL PENDANT

## DESCRIPTION

Redefining the future in pendant illumination, Nivél's pure and elegant silhouette features a colorful pallet of spun shade forms combined with an articulating flat panel LED light engine that pivots gracefully on axis to focus light downward or as a wall wash to provide seamless light control for any space. Nivél pendant can be suspended individually or in large multi-light clusters powered by a single hardwired canopy allowing the user to reposition the lights to any desired height, span and directionality. Available in 2 sizes: 15" (38cm) and 22" (56cm) and 6 powder coated finishes in matte white, terracotta, forest green, slate blue, espresso and textured black with choice of black or white fabric cord and ceiling canopy.

## FIXTURE TYPE

Pendant

## LIGHT SOURCE

LED Flat-Panel

## LIGHT CONTROL

Full-range dim (ELV dimmer recommended)

## FEATURES

45° shade tilt in two directions

## SPECIFICATIONS

Voltage: 120-240V 50/60Hz

Power Consumption: 10.5W

Color Temperature: 2700K

Luminosity: 15" (500Lm), 22" (800 Lm)

Luminaire Efficacy: 15" (47Lm/W), 22" (76 Lm/W)

Color Rendition Index: 90 CRI

Title 20 compliant

50K hour lifespan

Cord length 10' (305cm)

## CERTIFICATIONS



## PRODUCT CODES

Nivél Pendant 15 Black Shade Black Cord:	NIVE PND 15 BLK BLK
Nivél Pendant 15 Black Shade White Cord:	NIVE PND 15 BLK WHT
Nivél Pendant 15 Slate Shade Black Cord:	NIVE PND 15 BLU BLK
Nivél Pendant 15 Slate Shade White Cord:	NIVE PND 15 BLU WHT
Nivél Pendant 15 Espresso Shade Black Cord:	NIVE PND 15 BRN BLK
Nivél Pendant 15 Espresso Shade White Cord:	NIVE PND 15 BRN WHT
Nivél Pendant 15 Forest Shade Black Cord:	NIVE PND 15 GRN BLK
Nivél Pendant 15 Forest Shade White Cord:	NIVE PND 15 GRN WHT
Nivél Pendant 15 Terracotta Shade Black Cord:	NIVE PND 15 TER BLK
Nivél Pendant 15 Terracotta Shade White Cord:	NIVE PND 15 TER WHT
Nivél Pendant 15 White Shade Black Cord:	NIVE PND 15 WHT BLK
Nivél Pendant 15 White Shade White Cord:	NIVE PND 15 WHT WHT
Nivél Pendant 22 Black Shade Black Cord:	NIVE PND 22 BLK BLK
Nivél Pendant 22 Black Shade White Cord:	NIVE PND 22 BLK WHT
Nivél Pendant 22 Slate Shade Black Cord:	NIVE PND 22 BLU BLK
Nivél Pendant 22 Slate Shade White Cord:	NIVE PND 22 BLU WHT
Nivél Pendant 22 Espresso Shade Black Cord:	NIVE PND 22 BRN BLK
Nivél Pendant 22 Espresso Shade White Cord:	NIVE PND 22 BRN WHT
Nivél Pendant 22 Forest Shade Black Cord:	NIVE PND 22 GRN BLK
Nivél Pendant 22 Forest Shade White Cord:	NIVE PND 22 GRN WHT
Nivél Pendant 22 Terracotta Shade Black Cord:	NIVE PND 22 TER BLK
Nivél Pendant 22 Terracotta Shade White Cord:	NIVE PND 22 TER WHT
Nivél Pendant 22 White Shade Black Cord:	NIVE PND 22 WHT BLK
Nivél Pendant 22 White Shade White Cord:	NIVE PND 22 WHT WHT

## PACKAGING WEIGHTS AND DIMENSIONS

Nivél Pendant 15:	7LBS	17" X 18" X 5.25"
	3KG	43cm X 46cm X 13cm
Nivél Pendant 22:	2LBS	24" X 24" X 6"
	.9KG	60cm X 60cm X 15cm

## NOTES

Custom requests can be considered on volume orders



## FINISHES

### CORD



BLACK



WHITE

### SHADE



BLACK



WHITE



TERRACOTTA



FOREST



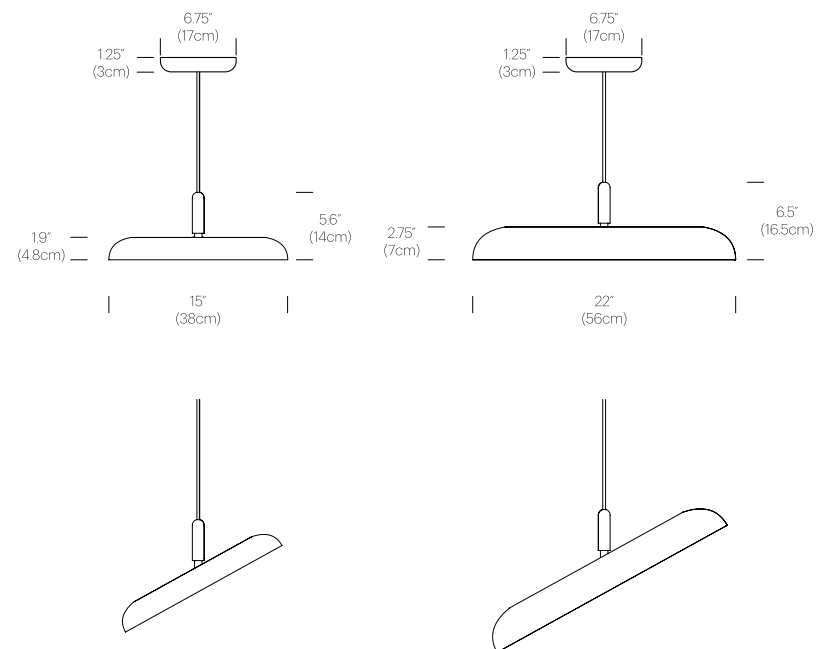
SLATE



ESPRESSO

## DIMENSIONS

### NIVÉL PENDANT







# NIVÉL FLUSH

## DESCRIPTION

Nivél's pure and elegant silhouette features a colorful pallet of spun shade forms combined with a flat panel LED light engine. Nivél flush can be mounted in both ceiling and wall situations. Available in 2 sizes: 15" (38cm) and 22" (56cm) and 6 powder coated finishes in matte white, Terracotta, Forest Green, Slate Blue, Espresso and textured black paired with a white canopy assembly.

## FIXTURE TYPE

Wall/Ceiling

## LIGHT SOURCE

LED Flat-Panel

## LIGHT CONTROL

Hard wired (Triac transformer) full range dim  
ELV dimmer recommended

## FEATURES

Full-range dim

## SPECIFICATIONS

Voltage: 120-240V 50/60Hz

Power Consumption: 10.5W

Color Temperature: 2700K

Luminosity: 15" (500Lm), 22" (800 Lm)

Luminaire Efficacy: 15" (47Lm/W), 22" (76 Lm/W)

Color Rendition Index: 90 CRI

Title 20 compliant

50K hour lifespan

## CERTIFICATIONS



## PRODUCT CODES

Nivél Flush 15 Black Shade:	NIVE FSH 15 BLK
Nivél Flush 15 Slate Shade:	NIVE FSH 15 BLU
Nivél Flush 15 Espresso Shade:	NIVE FSH 15 BRN
Nivél Flush 15 Forest Shade:	NIVE FSH 15 GRN
Nivél Flush 15 Terracotta Shade:	NIVE FSH 15 TER
Nivél Flush 15 White Shade:	NIVE FSH 15 WHT
Nivél Flush 22 Black Shade:	NIVE FSH 22 BLK
Nivél Flush 22 Slate Shade:	NIVE FSH 22 BLU
Nivél Flush 22 Espresso Shade:	NIVE FSH 22 BRN
Nivél Flush 22 Forest Shade:	NIVE FSH 22 GRN
Nivél Flush 22 Terracotta Shade:	NIVE FSH 22 TER
Nivél Flush 22 White Shade:	NIVE FSH 22 WHT

## PACKAGING WEIGHTS AND DIMENSIONS

Nivél Flush 15:	7LBS	17" X 17" X 5"
	3KG	43cm X 43cm X 12cm
Nivél Flush 22:	11LBS	24" X 24" X 6"
	5KG	60cm X 60cm X 15cm

## NOTES

Custom requests can be considered on volume orders



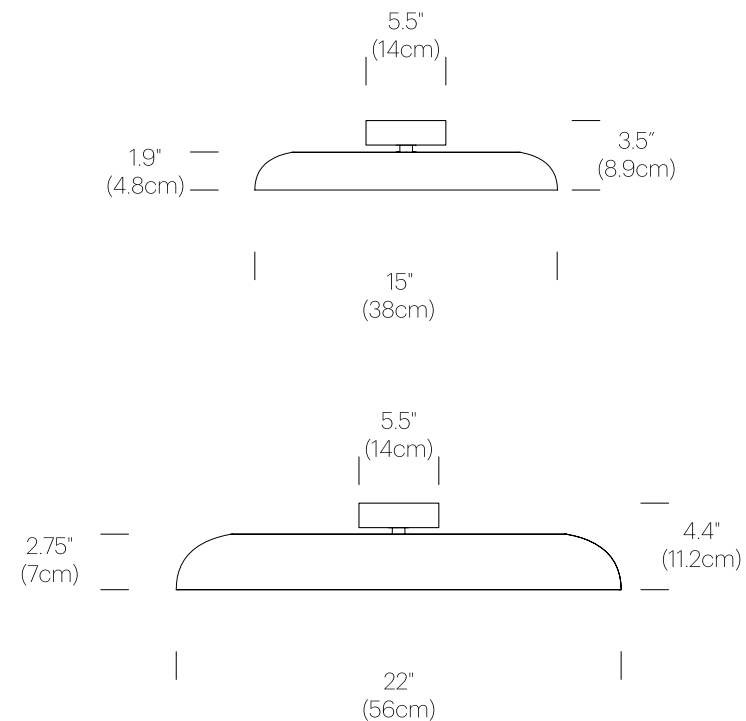
## FINISHES

SHADE



## DIMENSIONS

NIVÉL FLUSH



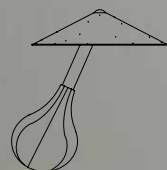


# PICCOLA

As his very first product, Piccola is the original embodiment of Pablo Pardo's "less is more" design philosophy. Created as a personal utility lamp, Piccola's form is minimal, but also tactile, playful, and inviting of interaction. Supple Italian glove leather covers its soft, pliable base, which a user can tilt to any angle while its aluminum shade floats to remain level. It is this malleable base that maintains Piccola's sensitivity to any position - sensitivity intended to make every articulation organic and personal. Piccola is part of the San Francisco Museum of Modern Art's permanent collection.

Designer:  
Pablo Pardo 1993

Awards:  
[1993 ID Magazine Gold Award](#)  
[SF MOMA permanent collection](#)



# PICCOLA

## DESCRIPTION

Piccola is limited only by your imagination. Its soft pliable base is covered in supple Italian glove leather and can be tilted to any angle while its hand-spun aluminum shade floats freely to remain level in all positions. It is as playful as it is intelligent. Piccola is part of the SFMOMA permanent collection.

## FIXTURE TYPE

Table

## LIGHT SOURCE

(1) 2900K bi pin 35W 120V GY6.35 bulb: 380lm

## LIGHT CONTROL

Full range dim (in-line rotary dimmer)

## FEATURES

Adjustable to any desired angle

## SPECIFICATIONS

Voltage: 120V

Cable length: 8' (244cm)

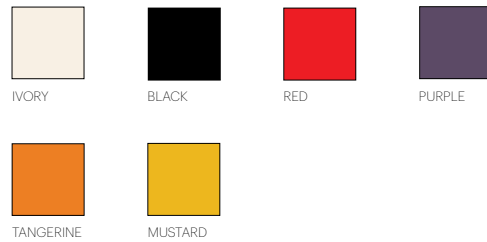
1 year warranty

## CERTIFICATIONS

UL listed components

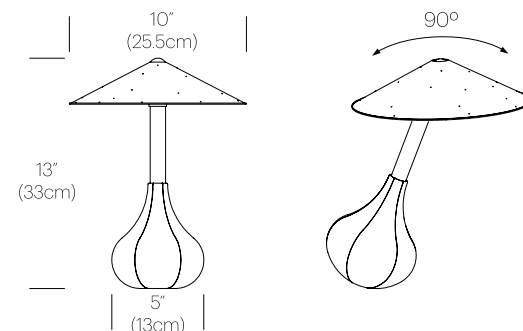


## FINISHES



## DIMENSIONS

PICCOLA



## PRODUCT CODES

Piccola (Ivory Leather):	PICC LS IVR
Piccola (Black Leather):	PICC LS BLK
Piccola (Purple Leather):	PICC LS PUR
Piccola (Red Leather):	PICC LS RED
Piccola (Mustard Leather):	PICC LS MUS
Piccola (Tangerine Leather):	PICC LS ORG

## PACKAGING WEIGHT AND DIMENSIONS

Piccola:	8.45LBS	15" X 11.5" X 9"
	3.8KGS	38cm X 29cm X 23cm

## NOTES

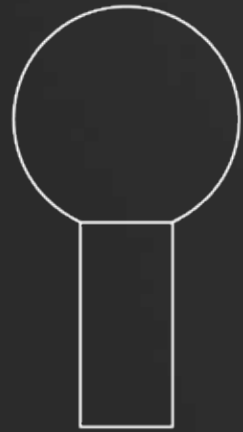
Custom requests can be considered on volume orders



# PILAR

Playful and sculptural in design, Pilar is a study in geometric proportions that meticulously bring out the character of its materials to create pure warm, ambient illumination for any range of spaces. Pilar embodies a harmonious dialogue between solidity and lightness featuring a monolithic column in marble with a hovering glass globe that define its iconic silhouette. Pilar is offered in both Carrara white and Marquina black marble bases with a mating 12" (30.5cm) frosted Opal glass globe and features an inline full-range dimmer to select any desired light setting and ambiance.

Designer:  
Pablo Pardo + Pablo Studio 2022



# PILAR

## DESCRIPTION

Playful and sculptural in design, Pilar is a study in geometric proportions that meticulously bring out the character of its materials to create pure warm, ambient illumination for any range of spaces. Pilar embodies a harmonious dialogue between solidity and lightness featuring a monolithic column in marble with a hovering glass globe that define its iconic silhouette. Pilar is offered in both Carrara white and Marquina black marble bases with a mating 12"(30.5cm) frosted Opal glass globe and features an inline full-range dimmer to select any desired light setting and ambiance.

## FIXTURE TYPE

Table

## LIGHT SOURCE

(1) 2700K BT-15 8W LED bulb (US)

(1) 2700K A60 E27 8.5W LED bulb (EU)

## LIGHT CONTROL

In-line dimmer

## FEATURES

Fully dimmable

## SPECIFICATIONS

Voltage: 120-240V 50/60Hz

Power Consumption: 8W

Color Temperature: 2700K

Luminosity: 800 Lumens

Luminaire Efficacy: 100 Lumens/Watt

Color Rendition Index: 100 CRI

Cord length 9' (2.7m)

## CERTIFICATIONS



## FINISHES

### MARBLE BASE



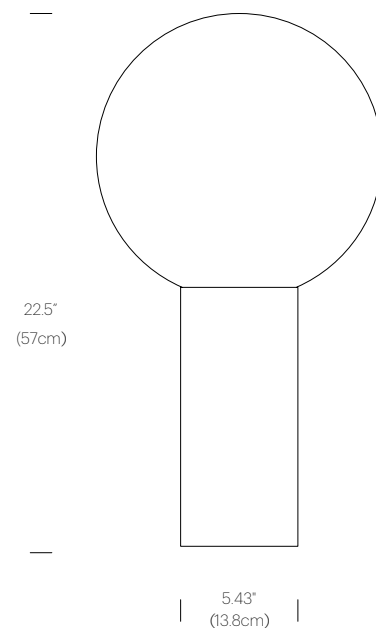
CARRARA  
WHITE



MARQUINA  
BLACK

## DIMENSIONS

### PILAR



## PRODUCT CODES

Pilar (Black Marble):

PILA MRBL BLK

Pilar (White Marble):

PILA MRBL WHT

## PACKAGING WEIGHTS AND DIMENSIONS

Pilar:	13LBS	8.25" X 8.25" X 17.5"
(Lamp base)	6KG	21cm X 21cm X 44cm
Pilar:	7.2LBS	18" X 18" X 18"
(Globe)	6KG	46cm X 46cm X 46cm

## NOTES

Custom requests can be considered on volume orders





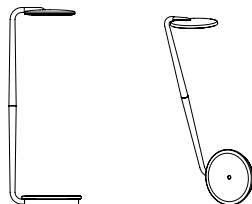


# PIXO

Although it embodies an emotive, humanistic form, Pixo, at its conceptual core, is an ultra-efficient task light. Functionality and necessity drive its design. It makes the most of its frame and its space through every feature: Pixo's swiveling light shade and highly maneuverable arm lend it maximum utility within a minimal footprint. Its compact, energy-saving LED light is infinitely adjustable, allowing the user to focus warm, glare-free light wherever needed. For added convenience, the elegant form factor features full-range dimming via its easy to use optical switch. The base integrates ultra-convenient wireless charging technology + USB port for the ultimate task lighting experience. Even more, the upper and lower pieces ship detached from one another to reduce packing materials and shipping costs. Pixo Plus is 97% recyclable. Pixo is also available for wall mount application and features only a USB charging port.

Designer:  
Fernando Pardo and Pablo Pardo 2011/2019

Awards:  
[2012 Red Dot Award](#)



# PIXO PLUS

## DESCRIPTION

Pixo Plus now integrates ultra-convenient wireless charging technology + USB port for the ultimate task lighting experience. Designed for maximum utility in a minimal footprint, this compact and efficient LED task light is highly adjustable, allowing you to focus warm, glare-free light where you need it most. For added convenience, the elegant form factor features full-range dimming via its intuitive optical switch with a newly designed wireless charging base + USB port which can support all mobile phones equipped with wireless charging capability. Pixo Plus is available in an expansive array of expressive and sophisticated colors to suite every discerning taste.

## FIXTURE TYPE

Table

## LIGHT SOURCE

(78x) High-output LED array

## LIGHT CONTROL

Full range dim control 100%-10% (optical switch)

## FEATURES

- 360° arm rotation
- 180° arm tilt
- 360° shade rotation
- Wireless charging
- USB charging port
- Advanced LED array eliminates multiple shadows
- ADA compliant
- Ships flat-packed
- OCC model available upon request

## SPECIFICATIONS

- Voltage: 120-240V 50-60Hz
- Power consumption: 6W MAX
- Color temperature: 3000K
- Luminosity: 325 Lumens
- Luminaire efficacy: 54 Lumens/Watt
- Color Rendition Index: 90 CRI
- 50K hour lifespan
- Cable length: 6' (182cm)
- Global multi-plug adapter available

## CERTIFICATIONS



## PRODUCT CODES

Pixo Plus (White):	PIXO PLUS WHT
Pixo Plus (Silver):	PIXO PLUS SLV
Pixo Plus (Graphite):	PIXO PLUS BLK
Pixo Plus (Azure):	PIXO PLUS BLU
Pixo Plus (Glow):	PIXO PLUS GLW
Pixo Plus (Orange):	PIXO PLUS ORG
Pixo Plus (White/Brass):	PIXO PLUS WHT/BRA
Pixo Plus (Graphite/Brass):	PIXO PLUS BLK/BRA

## PACKAGING WEIGHT AND DIMENSIONS

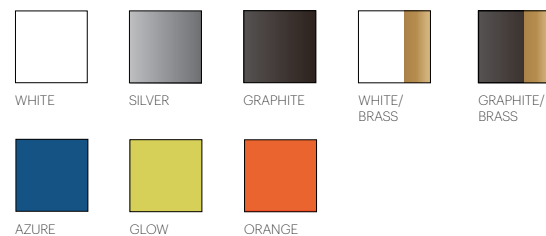
Pixo:	3.45LBS	17" X 9.5" X 2"
	1.6KGS	43cm X 24cm X 5cm

## NOTES

- Occupancy sensor model available upon request
- Custom requests can be considered on volume orders

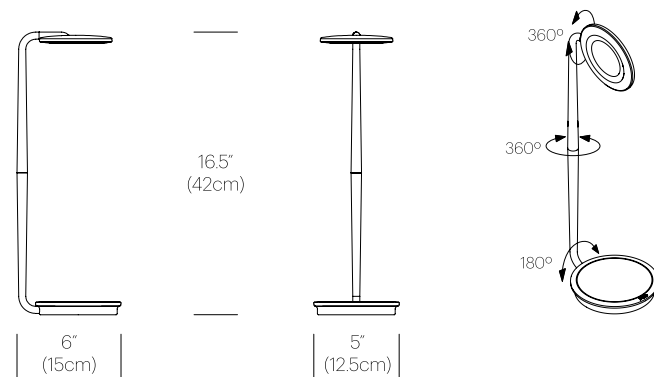


## FINISHES



## DIMENSIONS

PIXO



# PIXO WALL

## DESCRIPTION

Pixo offers maximum utility in a minimal footprint. The compact and efficient LED task light is highly adjustable, allowing you to focus warm, glare-free light where you need it most. For added convenience, the elegant form factor features full-range dimming via its easy to use optical switch. The base integrates a USB port for charging mobile devices.

## FIXTURE TYPE

Wall

## LIGHT SOURCE

(78x) High-output LED array

## LIGHT CONTROL

Full range dim control 100%-10%

## FEATURES

- 360° arm rotation
- 180° arm tilt
- 360° shade rotation
- USB charging port
- Advanced LED array eliminates multiple shadows
- ADA compliant
- Ships flat-packed

## SPECIFICATIONS

- Voltage: 120-240V 50-60Hz
- Power consumption: 6W MAX
- Color temperature: 3000K
- Luminosity: 325 Lumens
- Luminaire efficacy: 54 Lumens/Watt
- Color Rendition Index: 90 CRI
- 50K hour lifespan
- Cable length: 6' (182cm)
- Global multi-plug adapter available

## CERTIFICATIONS



## PRODUCT CODES

Pixo Wall Pin-up (White):	PIXO WALL WHT
Pixo Wall Hard-wired (White):	PIXO WALL HW WHT

## PACKAGING WEIGHT AND DIMENSIONS

Pixo Wall:	3.45LBS	17" X 9.5" X 2"
	1.6KGS	43cm X 24cm X 5cm

## NOTES

Additional finishes can be considered on volume orders



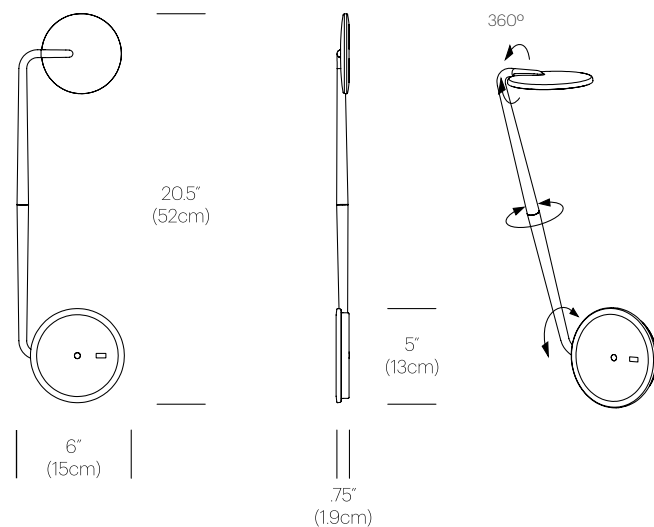
## FINISHES



WHITE

## DIMENSIONS

PIXO WALL



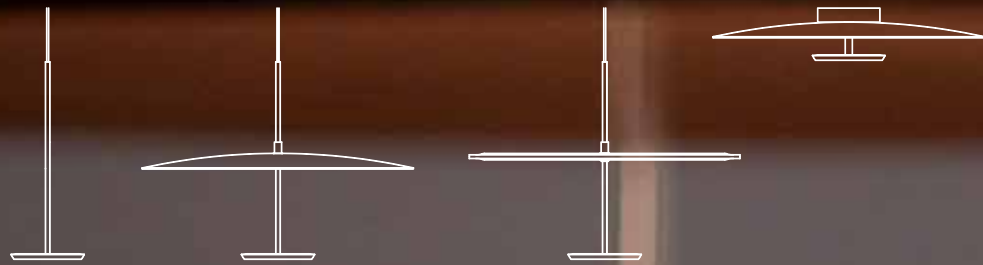


# SKY

The Sky Collection was inspired as a modular pendant lighting system and Sky Solo is the core foundational element. Its minimal all-aluminum design highlights a powerful two-sided flat panel light source with Dim to Warm LED technology that can deliver up to 1250 lumens of warm ambient light in all directions. Sky Solo can be suspended individually, in series, or as striking chandelier groupings for residential, contract, and hospitality settings alike. Solo's light element can also be combined with a wide range of premium shade reflectors in metal, wood, and acoustic felt to provide an extraordinary breadth of performance and decorative solutions for residential, office, and hospitality settings alike.

Designer:  
Pablo Pardo + Pablo Studio 2020

Awards:  
2020 IDA Award  
2020 NYCxDESIGN Award



# SKY SOLO

## DESCRIPTION

The Sky Collection was inspired as a modular pendant lighting system and Sky Solo is its core foundational element. Its minimal all-aluminum design highlights a powerful two-sided flat panel light source with Dim to Warm LED technology that can deliver up to 1250 lumens of warm ambient light in all directions. Sky Solo can be suspended individually, in series, or as striking chandelier groupings for residential, contract, and hospitality settings alike. Solo's light element can also be combined with a wide range of premium shade reflectors in metal, wood and acoustic felt to provide an extraordinary breadth of performance and decorative solutions.

## FIXTURE TYPE

Pendant

## LIGHT SOURCE

LED Flat-Panel

## LIGHT CONTROL

Fully dimmable Compatible with TRIAC/ELV dimmers (0-10V dimming available upon request)

## FEATURES

Dim-to-Warm (DTW) Light Source  
Uplight/Downlight  
Energy-efficient, flat panel technology  
Glare-free illumination

## SPECIFICATIONS

Voltage: 120 or 240V 50/60Hz  
(100-277V 50/60Hz Available upon request)  
Power Consumption: 18W MAX  
Color Temperature: 2700-2200K (warm dim) or 3000K CCT, Note: 2700K CCT and 3500K CCT models Available Upon Request on volume orders  
Luminosity: 1250 Lumens (850 down/400 up)  
Luminaire efficacy: 58 Lumens/Watt  
Color Rendition Index: 90 CRI  
50K hour lifespan  
Cable Length: 10' (3m) (Field cuttable)  
ELV Dimmer recommended

## CERTIFICATIONS



## PRODUCT CODES

Sky Solo (Polished):	SKY SOLO
Sky Solo (Matte Black):	SKY SOLO BLK

## PACKAGING WEIGHT AND DIMENSIONS

Sky Solo:	3.1LBS	10" X 19" X 2.4"
	1.4KGS	26cm X 48cm X 6cm

## NOTES

Additional finishes can be considered on volume orders



## FINISHES



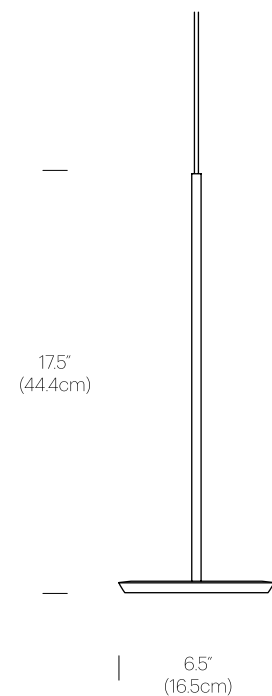
POLISHED ALUMINUM



MATTE BLACK

## DIMENSIONS

SKY SOLO



# SKY DOME METAL

## DESCRIPTION

The Sky Collection is a modular pendant lighting system featuring multiple shade reflector solutions for various decorative and performance benefits. Sky Dome is available in both spun aluminum and pressed wood shade reflectors that when combined with their powerful 2-sided LED light source gives the lamp a weightless appearance while providing unparalleled illumination in all directions. Sky Dome combined form and function with unsurpassed quality and is available in 3 sizes : 18" (45.8cm)/24" (61cm)/32" (81cm).

## FIXTURE TYPE

Pendant

## LIGHT SOURCE

LED Flat-Panel downlight/High-output LED array uplight

## LIGHT CONTROL

Fully dimmable Compatible with TRIAC/ELV dimmers (0-10V dimming available upon request)

## FEATURES

Uplight/Downlight  
Energy-efficient, flat panel technology (Glare-free illumination)

## SPECIFICATIONS

Voltage: 120 or 240V 50/60Hz  
(100-277V 50/60Hz Available upon request)  
Power Consumption: 18W MAX  
Color Temperature: 2700-2200K (warm dim) or 3000K CCT, Note: 2700K CCT and 3500K CCT models Available Upon Request on volume orders  
Luminosity: 1250 Lumens (850 down/400 up)  
Luminaire efficacy: 58 Lumens/Watt  
Color Rendition Index: 90 CRI  
50K hour lifespan  
Cable Length: 10' (3m) (Field cuttable)

## CERTIFICATIONS



## PRODUCT CODES

Sky Dome 18 (Black/Black):	SKY DOM 18 BLK BLK
Sky Dome 18 (Black/Brass):	SKY DOM 18 BLK BRA
Sky Dome 18 (Black/White):	SKY DOM 18 BLK WHT
Sky Dome 18 (Polished/Black):	SKY DOM 18 BLK
Sky Dome 18 (Polished/Brass):	SKY DOM 18 BRA
Sky Dome 18 (Polished/White):	SKY DOM 18 WHT
Sky Dome 24 (Black/Black):	SKY DOM 24 BLK BLK
Sky Dome 24 (Black/Brass):	SKY DOM 24 BLK BRA
Sky Dome 24 (Black/White):	SKY DOM 24 BLK WHT
Sky Dome 24 (Polished/Black):	SKY DOM 24 BLK
Sky Dome 24 (Polished/Brass):	SKY DOM 24 BRA
Sky Dome 24 (Polished/White):	SKY DOM 24 WHT
Sky Dome 32 (Black/Black):	SKY DOM 32 BLK BLK
Sky Dome 32 (Black/Brass):	SKY DOM 32 BLK BRA
Sky Dome 32 (Black/White):	SKY DOM 32 BLK WHT
Sky Dome 32 (Polished/Black):	SKY DOM 32 BLK
Sky Dome 32 (Polished/Brass):	SKY DOM 32 BRA
Sky Dome 32 (Polished/White):	SKY DOM 32 WHT

## PACKAGING WEIGHT AND DIMENSIONS

Sky Solo:	3.1LBS	10" X 19" X 2.4"
(Lamp)	1.4KGS	26cm X 48cm X 6cm
Sky Dome Metal 18:	3.1LBS	21.3" X 20.4" X 2.9"
(Shade)	1.4KGS	54cm X 52cm X 7.3cm
Sky Dome Metal 24:	5.1LBS	27.1" X 26.4" X 3.25"
(Shade)	2.3KGS	69cm X 67cm X 8.2cm
Sky Dome Metal 32:	9.5LBS	35" X 34.8" X 3.9"
(Shade)	4.3KGS	89cm X 88cm X 10cm

## NOTES

Additional finishes can be considered on volume orders



## FINISHES

### LAMP



POLISHED ALUMINUM



MATTE BLACK

### SHADE



BLACK



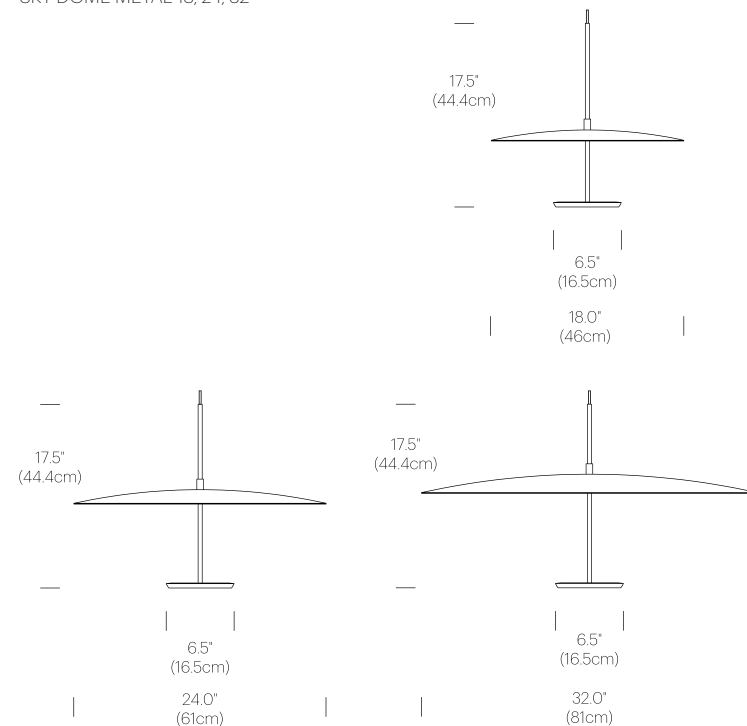
WHITE



SATIN BRASS

## DIMENSIONS

SKY DOME METAL 18, 24, 32





# SKY DOME WOOD

## DESCRIPTION

The Sky Collection is a modular pendant lighting system featuring multiple shade reflector solutions for various decorative and performance benefits. Sky Dome is available in both spun aluminum and pressed wood shade reflectors that when combined with their powerful 2-sided LED light source gives the lamp a weightless appearance while providing unparalleled illumination in all directions. Sky Dome combined form and function with unsurpassed quality and is available in 2 sizes : 18" (45.8cm) and 24" (61cm).

## FIXTURE TYPE

Pendant

## LIGHT SOURCE

LED Flat-Panel downlight/High-output LED array uplight

## LIGHT CONTROL

Fully dimmable Compatible with TRIAC/ELV dimmers (0-10V dimming available upon request)

## FEATURES

Dim-to-Warm (DTW) Light Source  
Uplight/Downlight  
Energy-efficient, flat panel technology  
Glare-free illumination

## SPECIFICATIONS

Voltage: 120 or 240V 50/60Hz  
(100-277V 50/60Hz Available upon request)  
Power Consumption: 18W MAX  
Color Temperature: 2700-2200K (warm dim) or 3000K CCT, Note: 2700K CCT and 3500K CCT models Available Upon Request on volume orders  
Luminosity: 1250 Lumens (850 down/400 up)  
Luminaire efficacy: 58 Lumens/Watt  
Color Rendition Index: 90 CRI  
50K hour lifespan  
Cable Length: 10' (3m) (Field cuttable)  
ELV Dimmer recommended

## CERTIFICATIONS



## PRODUCT CODES

Sky Dome 18 (Black/Oak):	SKY DOM 18 BLK OAK
Sky Dome 18 (Black/Walnut):	SKY DOM 18 BLK WLN
Sky Dome 18 (Polished/Oak):	SKY DOM 18 OAK
Sky Dome 18 (Polished/Walnut):	SKY DOM 18 WLN
Sky Dome 24 (Black/Oak):	SKY DOM 24 BLK OAK
Sky Dome 24 (Black/Walnut):	SKY DOM 24 BLK WLN
Sky Dome 24 (Polished/Oak):	SKY DOM 24 OAK
Sky Dome 24 (Polished/Walnut):	SKY DOM 24 WLN

## PACKAGING WEIGHT AND DIMENSIONS

Sky Solo:	3.1LBS	10" X 19" X 2.4"
(Lamp)	1.4KGS	26cm X 48cm X 6cm
Sky Dome Wood 18:	3.3LBS	21.3" X 20.4" X 2.9"
(Shade)	1.4KGS	54cm X 52cm X 7.3cm
Sky Dome Wood 24:	5.5LBS	27.1" X 26.4" X 3.25"
(Shade)	2.5KGS	69cm X 67cm X 8.2cm

## NOTES

Additional finishes can be considered on volume orders

191 **Pablo**

AVAILABLE GLOBALLY



## FINISHES

### LAMP



POLISHED ALUMINUM



MATTE BLACK

### DOME



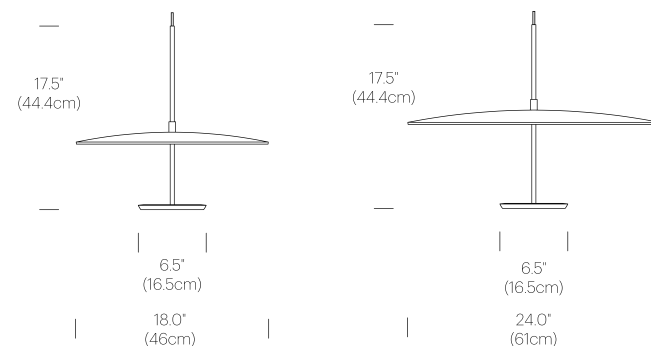
WALNUT



WHITE OAK

## DIMENSIONS

SKY DOME WOOD 18, 24



**Pablo** 192

# SKY SOUND

## DESCRIPTION

The Sky Collection is a modular pendant lighting system featuring multiple shade reflector solutions for various decorative and performance benefits. Sky Sound combines Acoustic performance with powerful omnidirectional illumination to provide a one of a kind pendant solution that minimizes ambient noise and contributes to a positive workspace. Its elegant PET felted disc shade is suspended by a polished aluminum mast and is available in 18" (45.8cm)/24" (61cm)/32" (81cm) sizes with rich and vibrant colorways to create a harmonious environment of light and quiet to enhance our wellbeing.

## FIXTURE TYPE

Pendant

## LIGHT SOURCE

LED Flat-Panel downlight/High-output LED array uplight

## LIGHT CONTROL

Fully dimmable Compatible with TRIAC/ELV dimmers (0-10V dimming available upon request)

## FEATURES

Uplight/Downlight  
Energy-efficient, flat panel technology (Glare-free illumination)

## SPECIFICATIONS

Voltage: 120 or 240V 50/60Hz  
(100-277V 50/60Hz Available upon request)  
Power Consumption: 18W MAX  
Color Temperature: 2700-2200K (warm dim) or 3000K CCT, Note: 2700K CCT and 3500K CCT models Available Upon Request on volume orders  
Luminosity: 1250 Lumens (850 down/400 up)  
Luminaire efficacy: 58 Lumens/Watt  
Color Rendition Index: 90 CRI  
50K hour lifespan  
Cable Length: 10' (3m) (Field cuttable)

CERTIFICATIONS  

## PRODUCT CODES

Sky Sound 18 (Black/Graphite):	SKY SND 18 BLK GPT
Sky Sound 18 (Black/Grey):	SKY SND 18 BLK GRY
Sky Sound 18 (Polished/Graphite):	SKY SND 18 GPT
Sky Sound 18 (Polished/Grey):	SKY SND 18 GRY
Sky Sound 24 (Black/Graphite):	SKY SND 24 BLK GPT
Sky Sound 24 (Black/Grey):	SKY SND 24 BLK GRY
Sky Sound 24 (Polished/Graphite):	SKY SND 24 GPT
Sky Sound 24 (Polished/Grey):	SKY SND 24 GRY
Sky Sound 32 (Black/Graphite):	SKY SND 32 BLK GPT
Sky Sound 32 (Black/Grey):	SKY SND 32 BLK GRY
Sky Sound 32 (Polished/Graphite):	SKY SND 32 GPT
Sky Sound 32 (Polished/Grey):	SKY SND 32 GRY

## PACKAGING WEIGHT AND DIMENSIONS

Sky Solo:	3.1LBS	10" X 19" X 2.4"
(Lamp)	1.4KGS	26cm X 48cm X 6cm
Sky Sound 18:	2.5LBS	21.3" X 20.4" X 2.9"
(Shade)	1.9KGS	54cm X 52cm X 7.3cm
Sky Sound 24:	4.1LBS	27.1" X 26.4" X 3.25"
(Shade)	2.4KGS	69cm X 67cm X 8.2cm
Sky Sound 32:	7.2LBS	35" X 34.8" X 3.9"
(Shade)	3.3KGS	89cm X 88cm X 10cm

## NOTES

Additional finishes can be considered on volume orders



## FINISHES

### LAMP



POLISHED ALUMINUM



MATTE BLACK

### SHADE



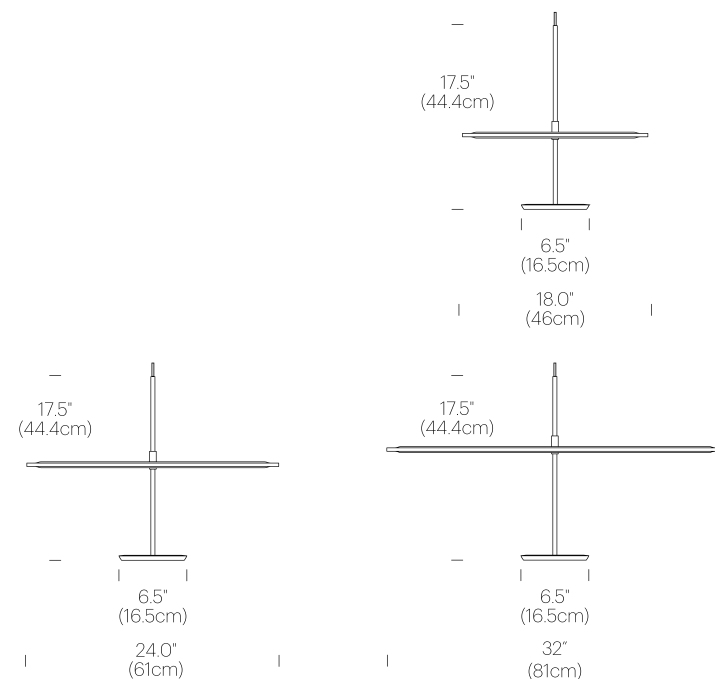
ANTHRACITE



STONE

## DIMENSIONS

SKY SOUND 18, 24, 32





# SKY DOME FLUSH WOOD

## DESCRIPTION

The Sky Collection is a modular pendant lighting system featuring multiple shade reflector solutions for various decorative and performance benefits. Sky Dome Flush is available in both spun aluminum and pressed wood shade reflectors that when combined with their powerful 2-sided LED light source gives the lamp a weightless appearance while providing unparalleled illumination in all directions. Sky Dome combined form and function with unsurpassed quality and is available in 2 sizes : 18" (45.8cm) and 24" (61cm).

## FIXTURE TYPE

Wall/Ceiling

## LIGHT SOURCE

LED Flat-Panel downlight/High-output LED array uplight

## LIGHT CONTROL

Fully dimmable Compatible with TRIAC/ELV dimmers (0-10V dimming available upon request)

## FEATURES

Bi-directional Light Source  
Energy-efficient, flat panel technology (Glare-free illumination)

## SPECIFICATIONS

Voltage: 120 or 240V 50/60Hz  
(100-277V 50/60Hz Available upon request)  
Power Consumption: 18W MAX  
Color Temperature: 2700-2200K (warm dim) or 3000K CCT, Note: 2700K CCT and 3500K CCT models Available Upon Request on volume orders  
Luminosity: 1250 Lumens (850 down/400 up)  
Luminaire efficacy: 58 Lumens/Watt  
Color Rendition Index: 90 CRI  
50K hour lifespan

## CERTIFICATIONS



## PRODUCT CODES

Sky Flush Dome 18 Wood (Black/Oak):	SKY FSH 18 DOM BLK BLK
Sky Flush Dome 18 Wood (Black/Walnut):	SKY FSH 18 DOM BLK BRA
Sky Flush Dome 18 Wood (Polished/Oak):	SKY FSH 18 DOM BLK
Sky Flush Dome 18 Wood (Polished/Walnut):	SKY FSH 18 DOM BRA
Sky Flush Dome 24 Wood (Black/Oak):	SKY FSH 24 DOM BLK BLK
Sky Flush Dome 24 Wood (Black/Walnut):	SKY FSH 24 DOM BLK BRA
Sky Flush Dome 24 Wood (Polished/Oak):	SKY FSH 24 DOM BLK
Sky Flush Dome 24 Wood (Polished/Walnut):	SKY FSH 24 DOM BRA

## PACKAGING WEIGHT AND DIMENSIONS

Sky Solo:	3.1LBS	10" X 19" X 2.4"
(Lamp)	1.4KGS	26cm X 48cm X 6cm
Sky Dome Wood 18:	3.3LBS	21.3" X 20.4" X 2.9"
(Shade)	1.4KGS	54cm X 52cm X 7.3cm
Sky Dome Wood 24:	5.5LBS	27.1" X 26.4" X 3.25"
(Shade)	2.5KGS	69cm X 67cm X 8.2cm

## NOTES

Additional finishes can be considered on volume orders



## FINISHES

### LAMP



POLISHED ALUMINUM



MATTE BLACK

### DOME



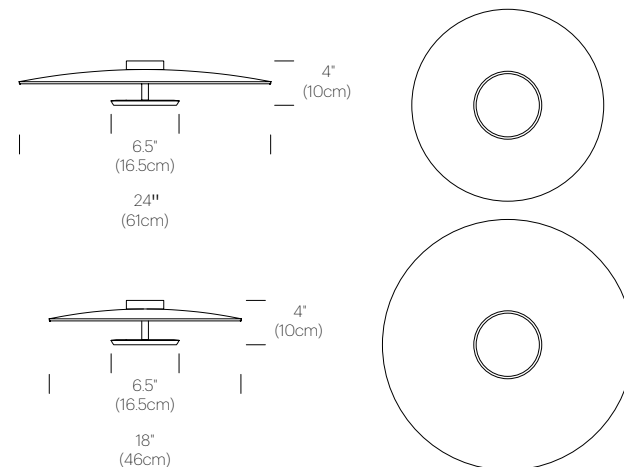
WALNUT



WHITE OAK

## DIMENSIONS

SKY DOME WOOD 18, 24





# SKY DOME FLUSH METAL

## DESCRIPTION

The Sky Collection is a modular pendant lighting system featuring multiple shade reflector solutions for various decorative and performance benefits. Sky Dome Flush is available in both spun aluminum and pressed wood shade reflectors that when combined with their powerful 2-sided LED light source gives the lamp a weightless appearance while providing unparalleled illumination in all directions. Sky Dome combined form and function with unsurpassed quality and is available in 2 sizes : 18" (45.8cm) and 24" (61cm).

## FIXTURE TYPE

Wall/Ceiling

## LIGHT SOURCE

LED Flat-Panel downlight/High-output LED array uplight

## LIGHT CONTROL

Fully dimmable Compatible with TRIAC/ELV dimmers (0-10V dimming available upon request)

## FEATURES

Uplight/Downlight  
Energy-efficient, flat panel technology(Glare-free illumination)

## SPECIFICATIONS

Voltage: 120 or 240V 50/60Hz

(100-277V 50/60Hz Available upon request)

Power Consumption: 18W MAX



Color Temperature: 2700-2200K (warm dim) or 3000K CCT, Note: 2700K CCT and 3500K CCT models Available Upon Request on volume orders

Luminosity: 1250 Lumens (850 down/400 up)

Luminaire efficacy: 58 Lumens/Watt

Color Rendition Index: 90 CRI

50K hour lifespan

CERTIFICATIONS  

## PRODUCT CODES

Sky Flush Dome 18 (Black/Black):	SKY FSH 18 DOM BLK BLK
Sky Flush Dome 18 (Black/Brass):	SKY FSH 18 DOM BLK BRA
Sky Flush Dome 18 (Black/White):	SKY FSH 18 DOM BLK WHT
Sky Flush Dome 18 (Polished/Black):	SKY FSH 18 DOM BLK
Sky Flush Dome 18 (Polished/Brass):	SKY FSH 18 DOM BRA
Sky Flush Dome 18 (Polished/White):	SKY FSH 18 DOM WHT
Sky Flush Dome 24 (Black/Black):	SKY FSH 24 DOM BLK BLK
Sky Flush Dome 24 (Black/Brass):	SKY FSH 24 DOM BLK BRA
Sky Flush Dome 24 (Black/White):	SKY FSH 24 DOM BLK WHT
Sky Flush Dome 24 (Polished/Black):	SKY FSH 24 DOM BLK
Sky Flush Dome 24 (Polished/Brass):	SKY FSH 24 DOM BRA
Sky Flush Dome 24 (Polished/White):	SKY FSH 24 DOM WHT
Sky Flush Dome 32 (Black/Black):	SKY FSH 32 DOM BLK BLK
Sky Flush Dome 32 (Black/Brass):	SKY FSH 32 DOM BLK BRA
Sky Flush Dome 32 (Black/White):	SKY FSH 32 DOM BLK WHT
Sky Flush Dome 32 (Polished/Black):	SKY FSH 32 DOM BLK
Sky Flush Dome 32 (Polished/Brass):	SKY FSH 32 DOM BRA
Sky Flush Dome 32 (Polished/White):	SKY FSH 32 DOM WHT

## PACKAGING WEIGHT AND DIMENSIONS

Sky Solo:	3.1LBS	10" X 19" X 2.4"
(Lamp)	1.4KGS	26cm X 48cm X 6cm
Sky Dome Metal 18:	3.1LBS	21.3" X 20.4" X 2.9"
(Shade)	1.4KGS	54cm X 52cm X 7.3cm
Sky Dome Metal 24:	5.1LBS	27.1" X 26.4" X 3.25"
(Shade)	2.3KGS	69cm X 67cm X 8.2cm
Sky Dome Metal 32:	9.5LBS	35" X 34.8" X 3.9"
(Shade)	4.3KGS	89cm X 88cm X 10cm

## NOTES

Additional finishes can be considered on volume orders

197 **Pablo**

AVAILABLE GLOBALLY 



## FINISHES

### LAMP



POLISHED ALUMINUM



MATTE BLACK

### DOME



BLACK



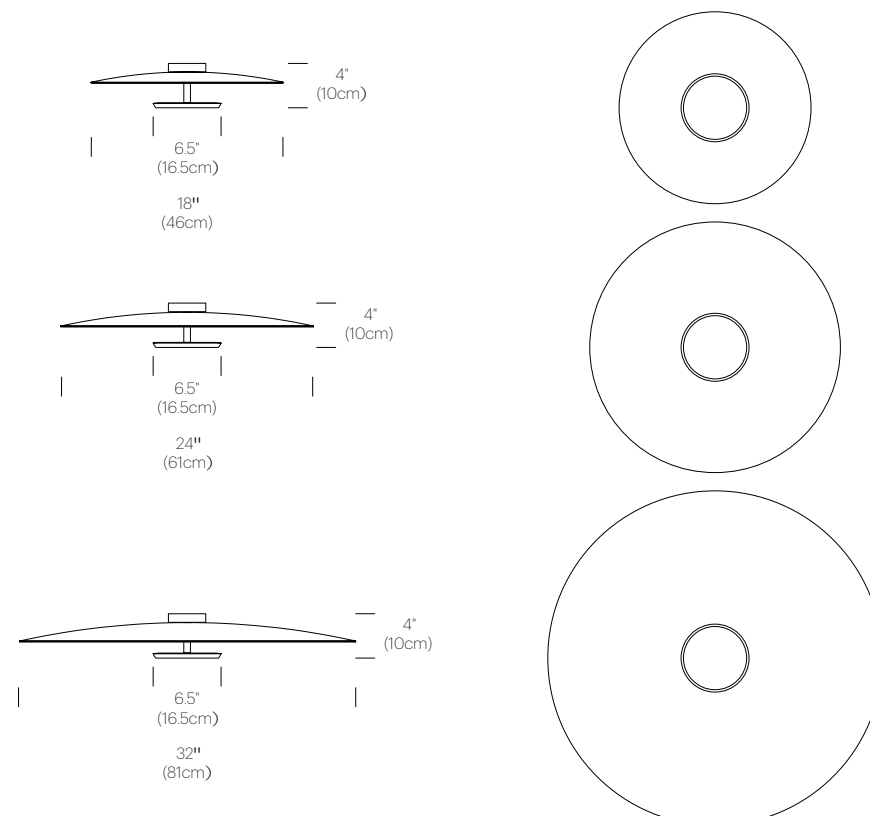
WHITE



SATIN BRASS

## DIMENSIONS

SKY DOME FLUSH METAL 18, 24, 32



**Pablo** 198



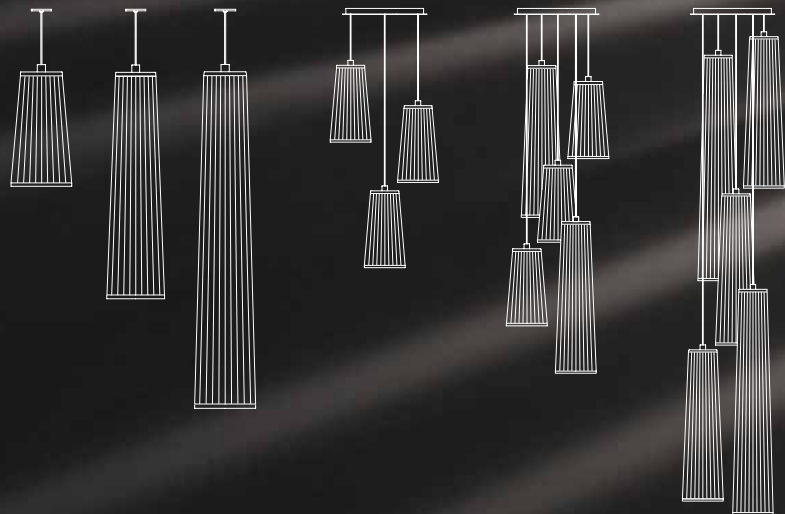




# SOLIS

In creating Solis, designer Carmine Deganello set out to engage with light in its archetypal form: the sun's rays. The resulting piece is an engaging blend of light and shadows, casting shimmering rays and radiating patterns onto a space. The effect is a sense of weightlessness — and a redefined environment that invites a new kind of relationship with the light source. A suspension lamp made of lightweight polyester fabric and stainless steel, Solis can be used as a pendant or hung from a wall.

Designer:  
Carmine Deganello 2009/2010





# SOLIS PENDANT

## DESCRIPTION

Solis is an innovatively simple and elegant suspension lamp that can be used as a pendant or hung from a wall to create a distinctive ambiance. The resulting piece is an engaging blend of light and shadow, casting shimmering rays and radiating patterns onto a space.

## FIXTURE TYPE

Pendant

## LIGHT SOURCE

(1) 3000K E26 60W PAR30 NSP halogen bulb: 1090lm(US)  
 (1) 2700K E27 9.5W PAR30S LED bulb: 740lm(EU)

## LIGHT CONTROL

Full range dim (in-line slide dimmer)  
 Compatible with TRIAC/ELV dimmers  
 Can be hard-wired

## FEATURES

Ships flat-packed  
 Full-range dim

## SPECIFICATIONS

Voltage: 120V or 240V 50/60Hz  
 Fire retardant polyester fabric  
 Cable length: 16' (488cm) (Field Cuttable)

## CERTIFICATIONS

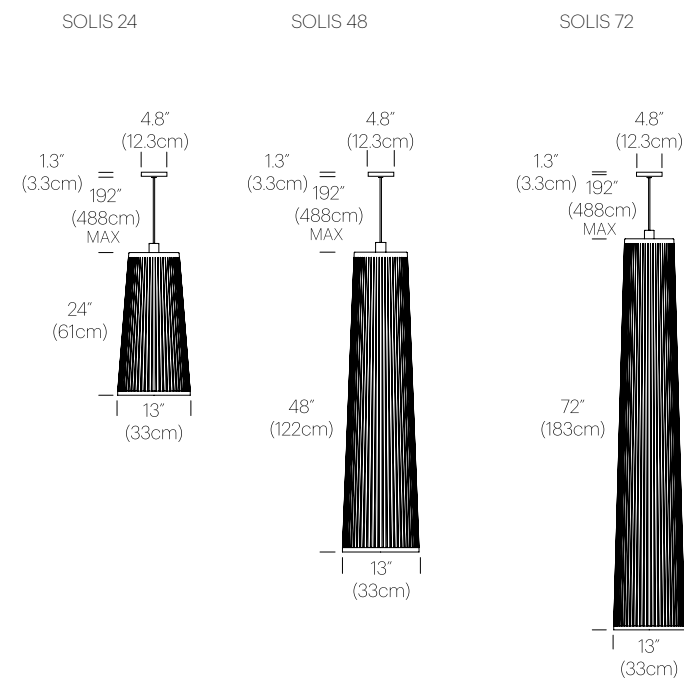
UL listed components



## FINISHES



## DIMENSIONS



## PRODUCT CODES

Solis 24 (White):	SOLI 24 WHT
Solis 24 (Black):	SOLI 24 BLK
Solis 24 (Silver):	SOLI 24 SLV
Solis 48 (White):	SOLI 48 WHT
Solis 48 (Black):	SOLI 48 BLK
Solis 48 (Silver):	SOLI 48 SLV
Solis 72 (White):	SOLI 72 WHT
Solis 72 (Black):	SOLI 72 BLK
Solis 72 (Silver):	SOLI 72 SLV
Solis Wall Plate Cover:	SOLI WALL HW CVR

## PACKAGING WEIGHT AND DIMENSIONS

Solis 24/48/72:	8.6LBS	14.5" X 13.5" X 8.5"
	3.9KGS	37cm X 34cm X 22cm

## NOTES

Custom requests can be considered on volume orders



# SOLIS CHANDELIER

## DESCRIPTION

Solis is an innovatively simple and elegant suspension lamp that can be hung in groupings of 3 and 5 fixtures to create a striking composition. The resulting piece is an engaging blend of light and shadow, casting shimmering rays and radiating patterns onto a space.

## FIXTURE TYPE

Chandelier

## LIGHT SOURCE

(1) 3000K E26 base 60W PAR30 NSP halogen bulb: 1090lm per lamp  
LED equivalent available upon request

## LIGHT CONTROL

Hard-wired, dimmable  
Compatible with TRIAC/ELV dimmers

## FEATURES

Ships flat-packed  
Full-range dim

## SPECIFICATIONS

Voltage: 120V or 240V 50/60Hz  
Fire retardant polyester fabric  
Cable length: 16' (488cm) (Field Cuttable)

## CERTIFICATIONS

UL listed components



## PRODUCT CODES

Solis 24 (White):	SOLI 24 WHT
Solis 24 (Black):	SOLI 24 BLK
Solis 24 (Silver):	SOLI 24 SLV
Solis 48 (White):	SOLI 48 WHT
Solis 48 (Black):	SOLI 48 BLK
Solis 48 (Silver):	SOLI 48 SLV
Solis 72 (White):	SOLI 72 WHT
Solis 72 (Black):	SOLI 72 BLK
Solis 72 (Silver):	SOLI 72 SLV
26" Chandelier Canopy:	CHND CAN 26

## PACKAGING WEIGHT AND DIMENSIONS

Solis 24/48/72:	8.6LBS	14.5" X 13.5" X 8.5"
	3.9KGS	37cm X 34cm X 22cm
Chandelier canopy 26":	30LBS	32" X 32" X 6"
	13.6KGS	81cm X 81cm X 15cm

## NOTES

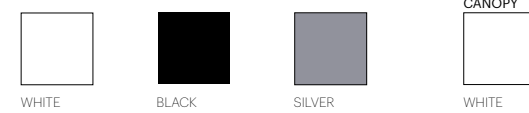
Custom requests can be considered on volume orders

205 **Pablo**

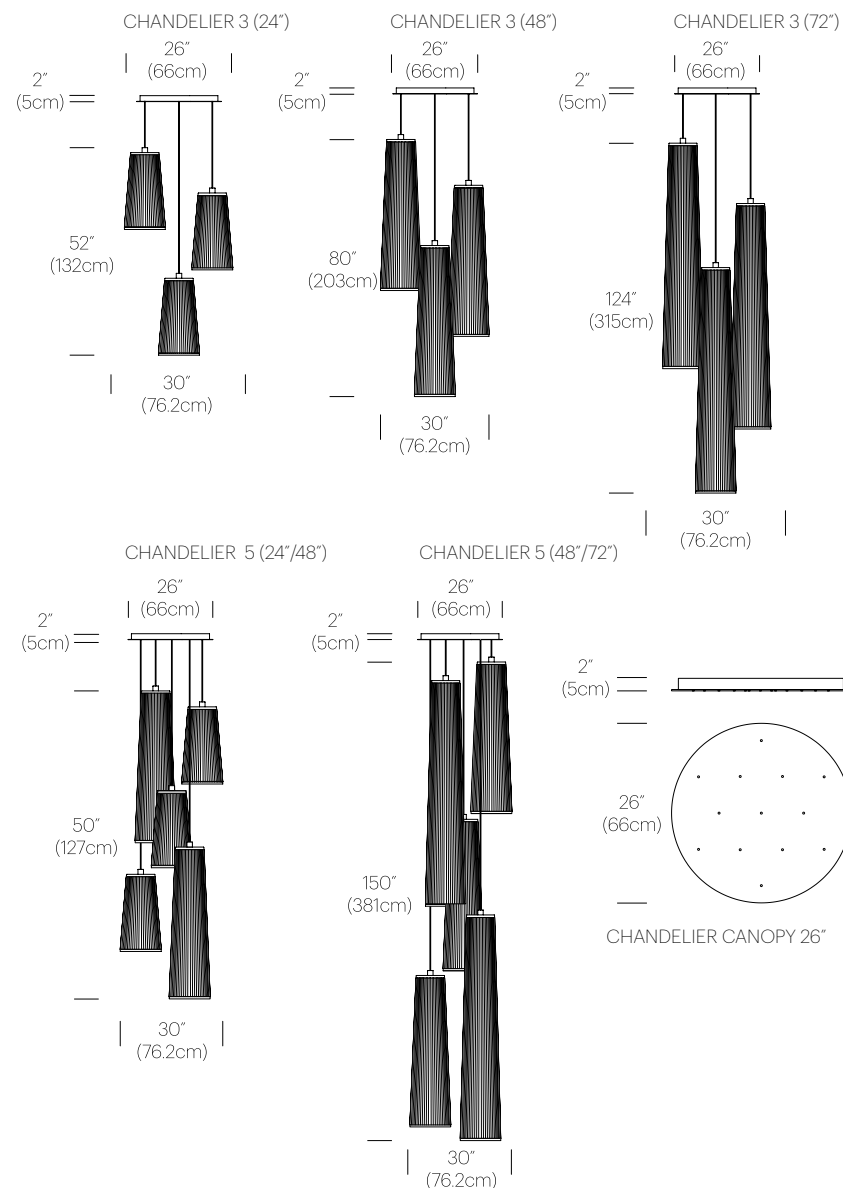
AVAILABLE GLOBALLY



## FINISHES



## DIMENSIONS



**Pablo** 206

# SOLIS DRUM

The new Solis Drum Pendant is the latest addition to the elegant Solis suspension family. Featuring a uniquely engaging blend of light and shadow, Solis Drum is made of laser cut polyester fabric combined with an aluminum top and bottom ring construction that allows the shade to hang under tension. Solis Drum also employs a stunning LED dome diffuser that spans the diameter of the top ring, radiating light down and sideways to cast shimmering warm patterns onto the space that surrounds it. The effect is a sense of weightlessness that invites a new kind of relationship with the light source. Perfect over a dining table, an entryway or in large groupings.

Designer:  
Carmine Deganello + Pablo Studio 2016





# SOLIS DRUM 24/36

## DESCRIPTION

The new Solis Drum Pendant is the latest addition to the elegant Solis suspension family. Featuring a uniquely engaging blend of light and shadow, Solis Drum is made of laser cut polyester fabric combined with an aluminum top and bottom ring construction that allows the shade to hang under tension. Solis Drum also employs a stunning LED dome diffuser that spans across the full diameter of the top ring, radiating light down and sideways to cast shimmering warm patterns onto the space that surrounds it. The effect is a sense of weightlessness that invites a new kind of relationship with the light source. Perfect over a dining table, an entryway or in large groupings.

## FIXTURE TYPE

Pendant

## LIGHT SOURCE

High-output LED array

## LIGHT CONTROL

Hard-wired, dimmable  
Compatible with TRIAC/ELV dimmers  
(0-10V dimming available upon request)

## FEATURES

Ships flat-packed  
Full-range dim with ELV dimmers  
Fire retardant polyester fabric

## SPECIFICATIONS

Voltage: 120-277V 50-60Hz  
Power Consumption: 35W (24"), 80W (36")  
Color Temperature: 2700K  
Luminosity: 2500 Lumens (24"), 5600 Lumens (36")  
Luminaire efficacy: 71 Lumens/Watt  
Color Rendition Index: 85 CRI  
50K hour lifespan  
Cable length: 10' (305cm) (Field Cuttable)

## CERTIFICATIONS



## PRODUCT CODES

Solis Drum 24 (White):	SOLI DR 24 WHT
Solis Drum 24 (Black):	SOLI DR 24 BLK
Solis Drum 24 (Silver):	SOLI DR 24 SLV
Solis Drum 36 (White):	SOLI DR 36 WHT
Solis Drum 36 (Black):	SOLI DR 36 BLK
Solis Drum 36 (Silver):	SOLI DR 36 SLV

## PACKAGING WEIGHT AND DIMENSIONS

Solis Drum 24:	11LBS	26" X 26" X 6"
	5KGS	61cm X 61cm X 15cm
Solis Drum 36:	16.4LBS	38" X 38" X 8"
	7.5KGS	96.5cm X 96.5cm X 20.3cm

## NOTES

Custom requests can be considered on volume orders  
3000K, 3500k and other color temperatures available upon request

209 **Pablo**

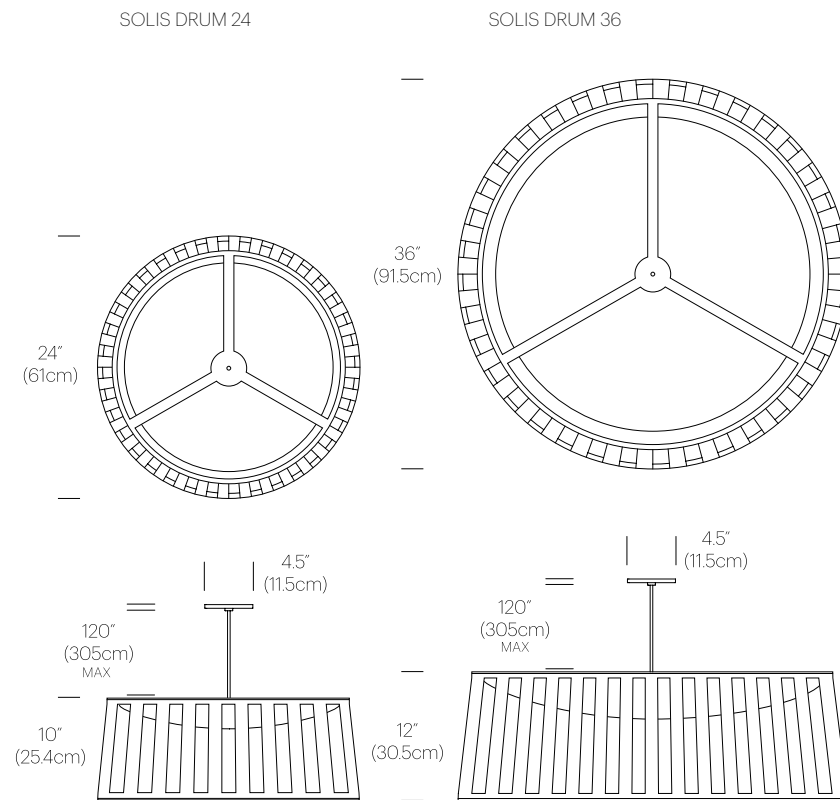
AVAILABLE GLOBALLY



## FINISHES



## DIMENSIONS



**Pablo** 210

# SOLIS DRUM FLUSH 24/36

## DESCRIPTION

The new Solis Drum Pendant is the latest addition to the elegant Solis suspension family. Featuring a uniquely engaging blend of light and shadow, Solis Drum is made of laser cut polyester fabric combined with an aluminum top and bottom ring construction that allows the shade to hang under tension. Solis Drum also employs a stunning LED dome diffuser that spans across the full diameter of the top ring, radiating light down and sideways to cast shimmering warm patterns onto the space that surrounds it. The effect is a sense of weightlessness that invites a new kind of relationship with the light source. Perfect over a dining table, an entryway or in large groupings.

## FIXTURE TYPE

Ceiling

## LIGHT SOURCE

High-output LED array

## LIGHT CONTROL

Hard-wired, dimmable  
Compatible with TRIAC/ELV dimmers  
(0-10V dimming available upon request)

## FEATURES

Ships flat-packed  
Full-range dim with ELV dimmers  
Fire retardant polyester fabric

## SPECIFICATIONS

Voltage: 120-277V 50-60Hz  
Power Consumption: 35W (24"), 80W (36")  
Color Temperature: 2700K  
Luminosity: 2500 Lumens (24"), 5600 Lumens (36")  
Luminaire efficacy: 71 Lumens/Watt  
Color Rendition Index: 85 CRI  
50K hour lifespan

## CERTIFICATIONS



## PRODUCT CODES

Solis Drum 24 (White):	SOLI DR FSH 24 WHT
Solis Drum 24 (Black):	SOLI DR FSH 24 BLK
Solis Drum 24 (Silver):	SOLI DR FSH 24 SLV
Solis Drum 36 (White):	SOLI DR FSH 36 WHT
Solis Drum 36 (Black):	SOLI DR FSH 36 BLK
Solis Drum 36 (Silver):	SOLI DR FSH 36 SLV

## PACKAGING WEIGHT AND DIMENSIONS

Solis Drum 24:	11LBS	26" X 26" X 6"
	5KGS	61cm X 61cm X 15cm
Solis Drum 36:	16.4LBS	38" X 38" X 8"
	7.5KGS	96.5cm X 96.5cm X 20.3cm

## NOTES

Custom requests can be considered on volume orders  
3000K, 3500k and other color temperatures available upon request



## FINISHES



WHITE



BLACK

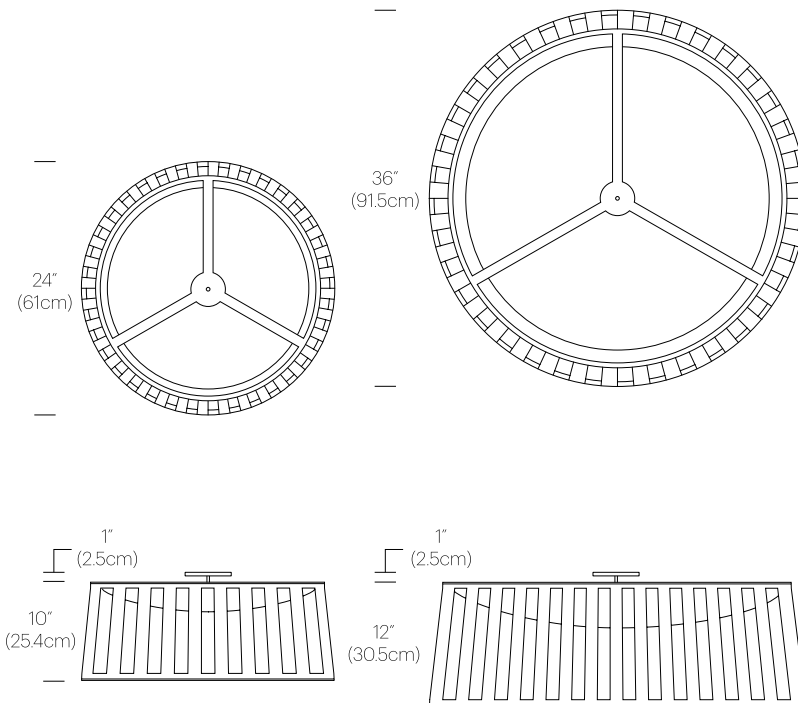


SILVER

## DIMENSIONS

SOLIS DRUM 24

SOLIS DRUM 36







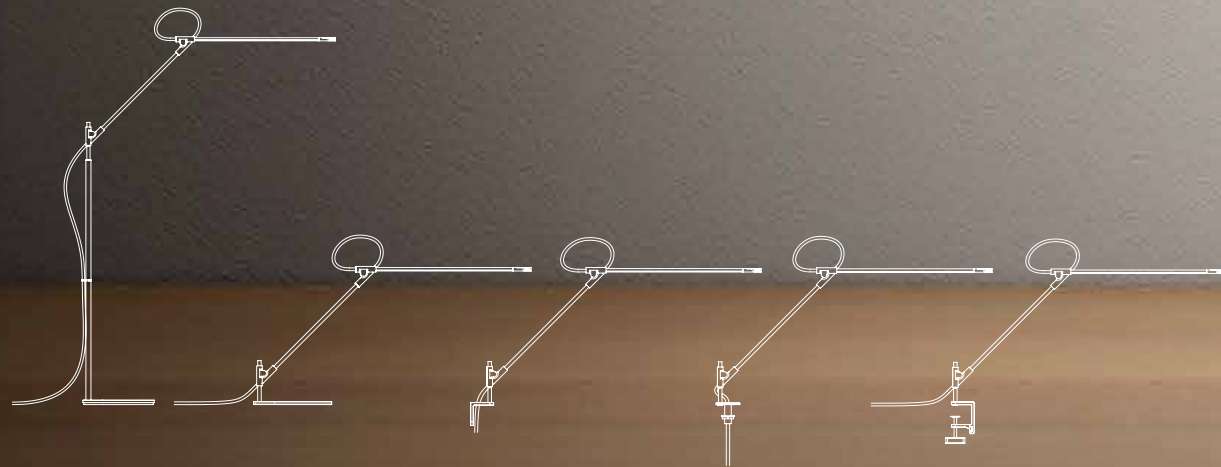


# SUPERLIGHT

Superlight balances the demands of both workplace and home with a combination of minimal form and maximal function. Superlight is a task light reduced to its essence. A gestural line in space resulting in a precise yet playful structure defying gravity with an appearance of near weightlessness. Superlight achieves fluid, sweeping movement in every direction with a full 3-axis range of motion providing warm, glare-free LED light exactly where you need it. Superlight is available as a desk, floor, wall, clamp or grommet mounted fixture.

Designers:  
Peter Stathis + Matthew Boyko 2017

Awards:  
2017 Good Design Award  
2017 Finalist HIP Award



# SUPERLIGHT TABLE

## DESCRIPTION

Superlight balances the demands of both workplace and home with a combination of minimal form and maximal function. Superlight is a task light reduced to its essence. A gestural line in space resulting in a precise yet playful structure defying gravity with an appearance of near weightlessness. Superlight achieves fluid, sweeping movement in every direction with a full 3-axis range of motion providing warm, glare-free LED light exactly where you need it. Superlight is available as a desk, floor, wall, clamp or grommet mounted fixture.

## FIXTURE TYPE

Table

## LIGHT SOURCE

High-output LED array

## LIGHT CONTROL

Full range dim control

## FEATURES

- 3-axis rotation at each joint
- Ultra-light minimal frame
- 4 colored base pads
- Advanced LED array eliminates multiple shadows
- Ships flat-packed

## SPECIFICATIONS

- Voltage: 120-240V 50-60Hz
- Power consumption: 8.5W
- Color temperature: 3000K
- Luminosity: 700 Lumens
- Luminaire efficacy: 81 Lumens/watt
- Color rendition index: 85+
- 50K hour lifespan
- Cable length: 9' (274cm)
- Global multi-plug adapter available
- Title 20 compliant
- Patent pending

## CERTIFICATIONS



## PRODUCT CODES

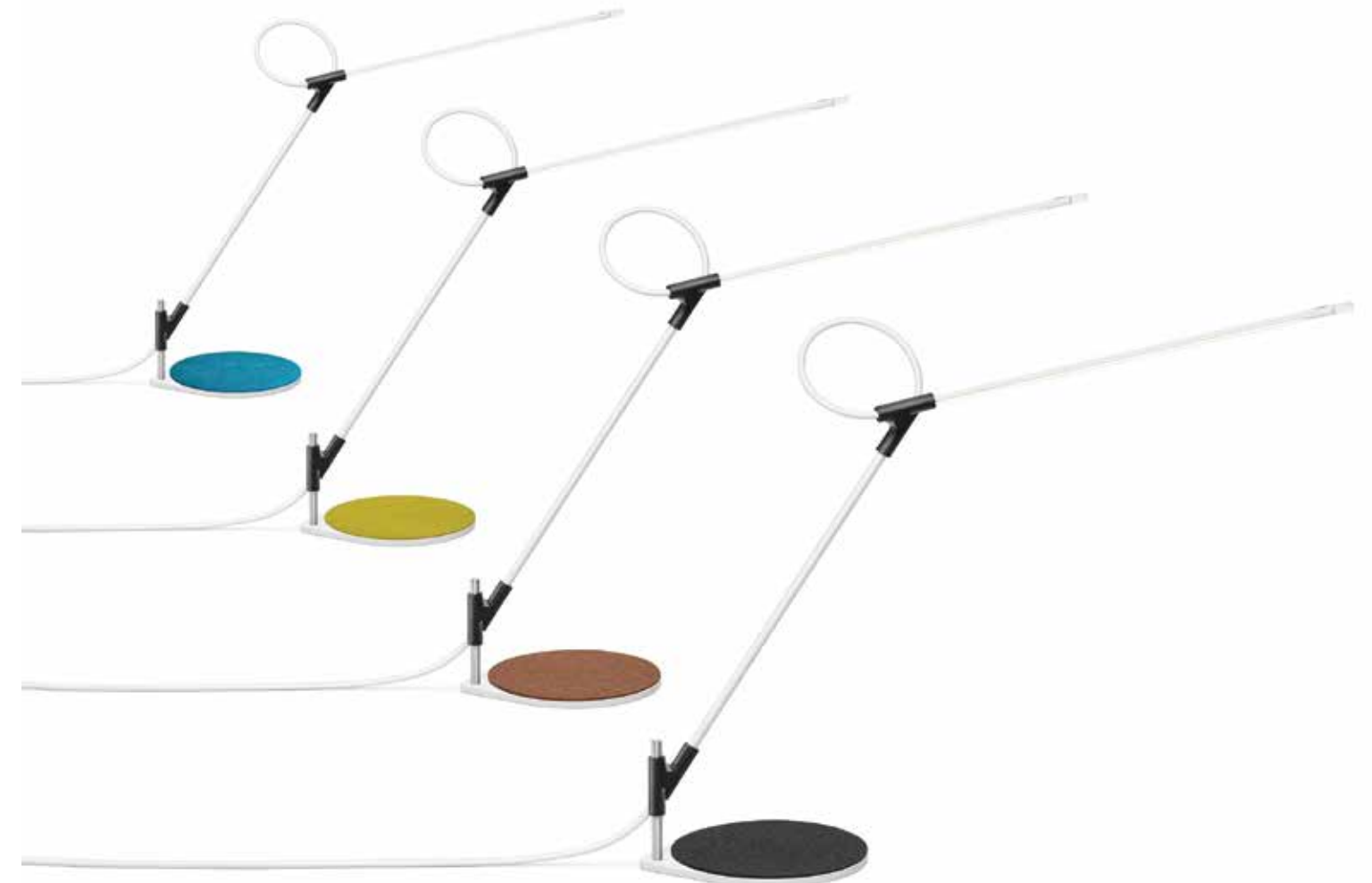
Superlight Table (White):	SUPE TBL WHT
Superlight Table (Black):	SUPE TBL BLK
Superlight Clamp (White):	SUPE CLP WHT
Superlight Clamp (Black):	SUPE CLP BLK
Superlight Grommet (White):	SUPE GROM WHT
Superlight Grommet (Black):	SUPE GROM BLK
Superlight Wall (White):	SUPE WALL WHT
Superlight Wall (Black):	SUPE WALL BLK

## PACKAGING WEIGHT AND DIMENSIONS

Superlight Table:	8.3LBS	28" X 9" X 3.5"
	3.7KGS	71cm X 23cm X 9cm

## NOTES

Custom requests can be considered on volume orders

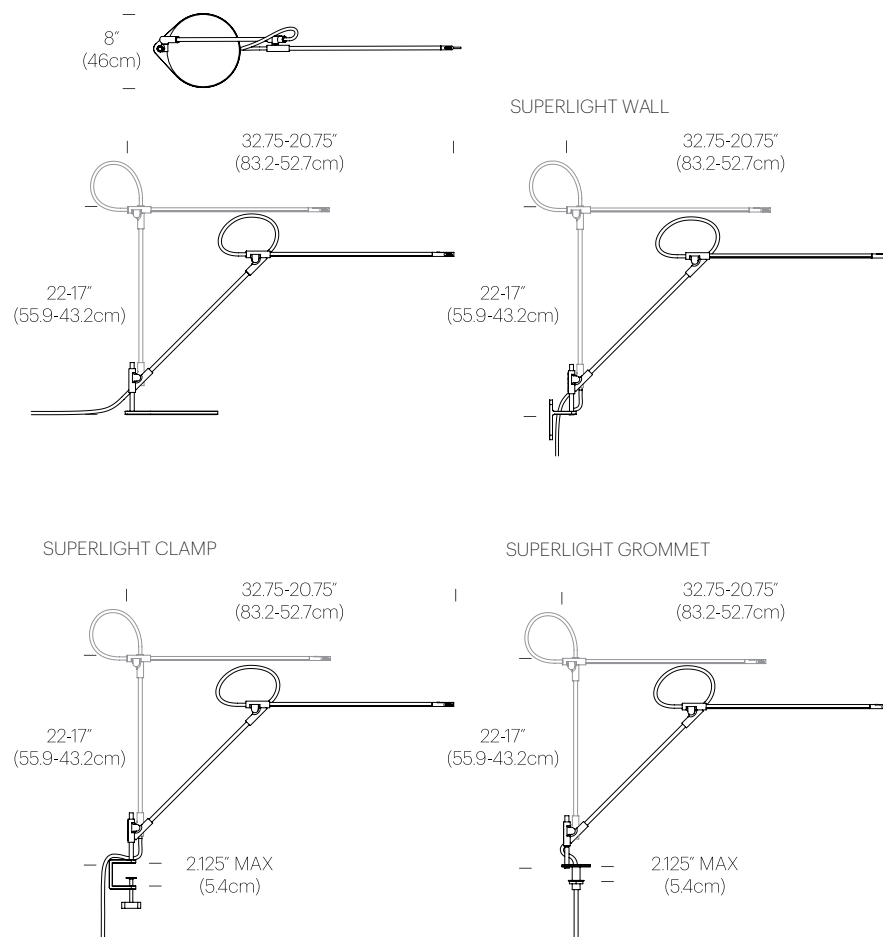


## FINISHES



## DIMENSIONS

SUPERLIGHT TABLE





# SUPERLIGHT FLOOR

## DESCRIPTION

Superlight balances the demands of both workplace and home with a combination of minimal form and maximal function. Superlight is a task light reduced to its essence. A gestural line in space resulting in a precise yet playful structure defying gravity with an appearance of near weightlessness. Superlight achieves fluid, sweeping movement in every direction with a full 3-axis range of motion providing warm, glare-free LED light exactly where you need it. Superlight is available as a desk, floor, wall, clamp or grommet mounted fixture.

## FIXTURE TYPE

Floor

## LIGHT SOURCE

High-output LED array

## LIGHT CONTROL

Full range dim control

## FEATURES

3-axis rotation at each joint

Ultra-light minimal frame

Felt base pad

Advanced LED array eliminates multiple shadows

Ships flat-packed

## SPECIFICATIONS

Voltage: 120-240V 50-60Hz

Power consumption: 8.5W

Color temperature: 3000K

Luminosity: 700 Lumens

Luminaire efficacy: 81 Lumens/watt

Color rendition index: 85+

50K hour lifespan

Cable length: 9' (274cm)

Global multi-plug adapter available

Title 20 compliant

Patent pending

## CERTIFICATIONS



## PRODUCT CODES

Superlight Floor (White):	SUPE FLR WHT
Superlight Floor (Black):	SUPE FLR BLK

## PACKAGING WEIGHT AND DIMENSIONS

Superlight Floor:	12.5LBS	28" X 9" X 3.5"
	5.7KGS	71cm X 23cm X 9cm

## NOTES

Custom requests can be considered on volume orders

219 Pablo

AVAILABLE GLOBALLY



## FINISHES



WHITE



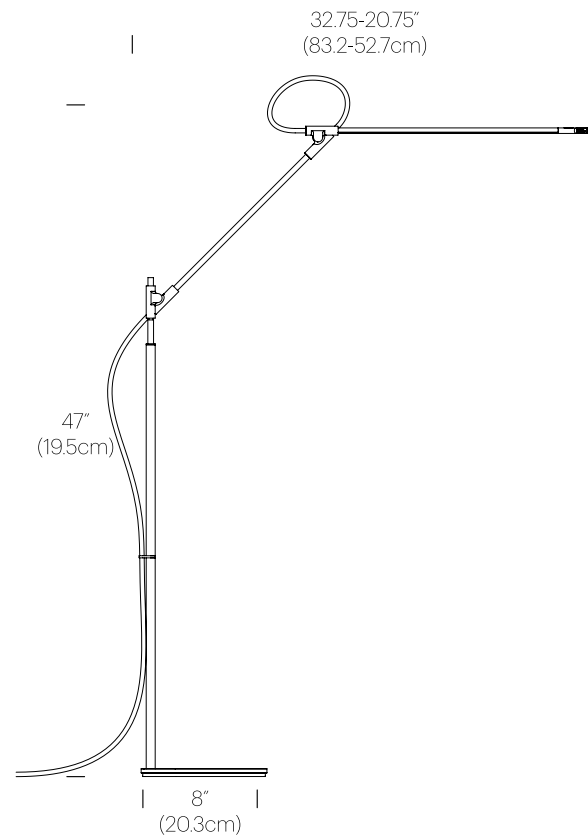
BLACK



CHARCOAL

## DIMENSIONS

### SUPERLIGHT FLOOR

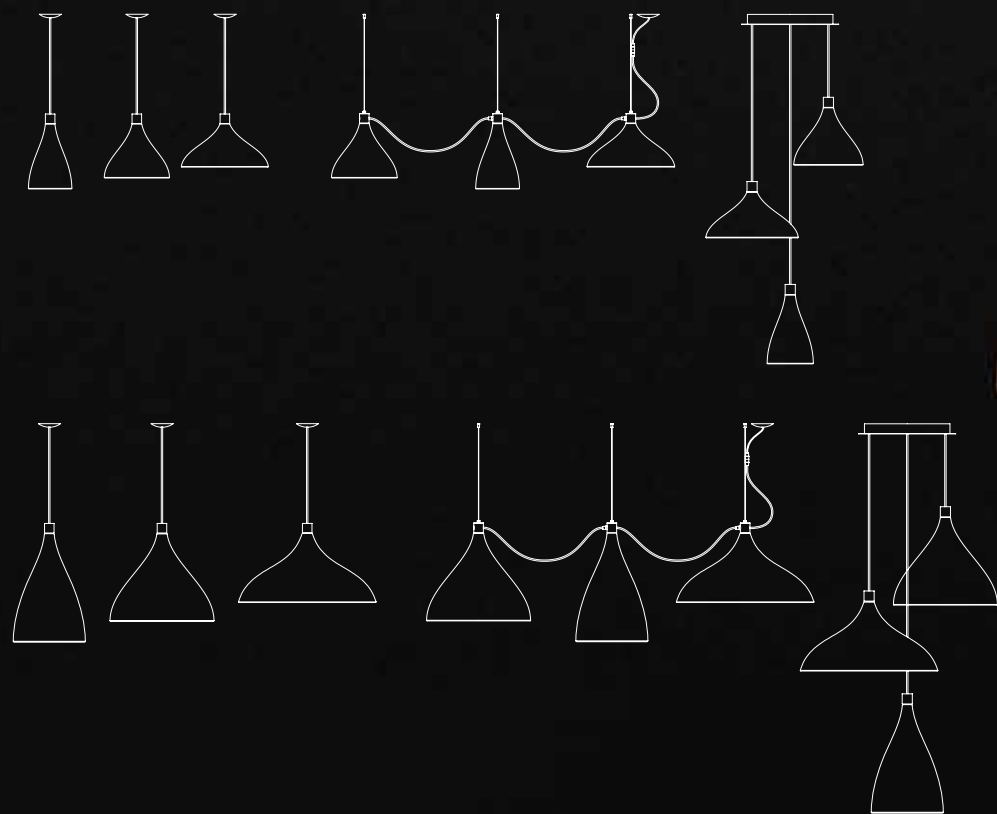


Pablo 220

# SWELL/SWELL XL

Elegant and infinitely flexible, Swell is a modular LED lighting system designed to seamlessly blend the line between indoor and outdoor lighting. Formed from spun aluminum, Swell's 3 shade designs pair fluid, undulating lines with a radiant brass interior and can be mixed and matched to create dynamic groupings. Swell can be suspended individually, as a chandelier or as inter-connectable shade strings to perfectly complement residential, commercial, lounge and hospitality settings alike. Swell is also available in stunning XL sizes for spaces that demand exceptional scale.

Designer:  
Pablo Studio 2015





# SWELL SINGLE

## DESCRIPTION

Elegant with undulating contours, Swell Single is an LED pendant designed to seamlessly blend the line between indoor and outdoor lighting. Swell single can be suspended individually or as a chandelier grouping to perfectly complement residential, commercial, lounge and hospitality settings alike. Swell is also available in stunning XL sizes for spaces that demand exceptional scale.

## FIXTURE TYPE

Pendant

## LIGHT SOURCE

(1) 3000K E26 13W PAR30 LED bulb: 1050lm(US)  
 (1) 2700K E27 9.5W PAR30S LED bulb: 740lm(EU)

## LIGHT CONTROL



Hard-wired, dimmable (Compatible with TRIAC/ELV dimmers)

## FEATURES

Fully dimmable  
 For indoor and outdoor use  
 Damp rated

## SPECIFICATIONS

Voltage: 120V or 240V 60Hz  
 Power consumption: 13W  
 Color temperature: 3000K  
 Luminosity: 1050 Lumens  
 Luminaire efficacy: 81 Lumens/Watt  
 Color Rendition Index: 82 CRI  
 40K hour lifespan  
 Cable length: 10' (305cm)  
 Title 20/Title 24 compliant  
 Dark Sky compliant

CERTIFICATIONS  

## PRODUCT CODES

Swell Single Narrow (White/Brass):	SWEL SNG NRW WHT/BRA
Swell Single Narrow (Black/Brass):	SWEL SNG NRW BLK/BRA
Swell Single Narrow (Brass/Brass):	SWEL SNG NRW BRA/BRA
Swell Single Medium (White/Brass):	SWEL SNG MED WHT/BRA
Swell Single Medium (Black/Brass):	SWEL SNG MED BLK/BRA
Swell Single Medium (Brass/Brass):	SWEL SNG MED BRA/BRA
Swell Single Wide (White/Brass):	SWEL SNG WID WHT/BRA
Swell Single Wide (Black/Brass):	SWEL SNG WID BLK/BRA
Swell Single Wide (Brass/Brass):	SWEL SNG WID BRA/BRA
Swell Single XL Narrow (White/Brass):	SWEL SNG XL NRW WHT/BRA
Swell Single XL Narrow (Black/Brass):	SWEL SNG XL NRW BLK/BRA
Swell Single XL Narrow (Brass/Brass):	SWEL SNG XL NRW BRA/BRA
Swell Single XL Medium (White/Brass):	SWEL SNG XL MED WHT/BRA
Swell Single XL Medium (Black/Brass):	SWEL SNG XL MED BLK/BRA
Swell Single XL Medium (Brass/Brass):	SWEL SNG XL MED BRA/BRA
Swell Single XL Wide (White/Brass):	SWEL SNG XL WID WHT/BRA
Swell Single XL Wide (Black/Brass):	SWEL SNG XL WID BLK/BRA
Swell Single XL Wide (Brass/Brass):	SWEL SNG XL WID BRA/BRA

## PACKAGING WEIGHT AND DIMENSIONS

Swell Narrow:	6LBS	17" X 17" X 15"
	2.7KGS	43cm X 43cm X 38cm
Swell Medium:	6LBS	17" X 17" X 15"
	2.7KGS	43cm X 43cm X 38cm
Swell Wide:	6LBS	17" X 17" X 15"
	2.7KGS	43cm X 43cm X 38cm
Swell XL Narrow:	6.6LBS	14" X 14" X 20"
	2.7KGS	36cm X 36cm X 51cm
Swell XL Medium:	7.6LBS	20" X 20" X 18"
	3.4KGS	51cm X 51cm X 46cm
Swell XL Wide:	10LBS	26" X 26" X 14"
	4.5KGS	66cm X 66cm X 36cm

## NOTES

Custom requests can be considered on volume orders

223 Pablo

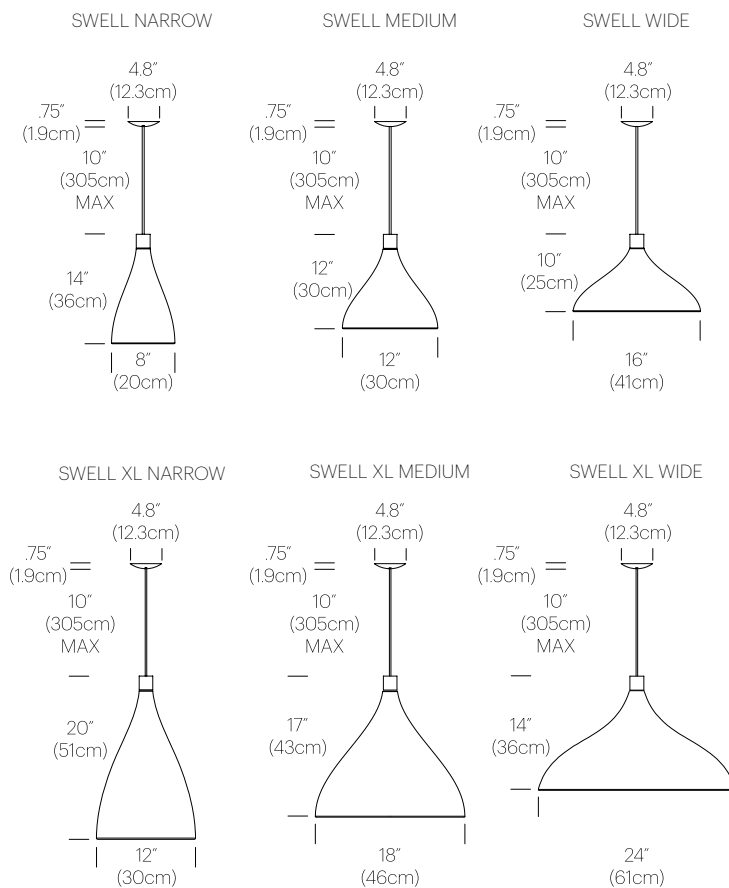
AVAILABLE GLOBALLY 



## FINISHES



## DIMENSIONS



Pablo 224



# SWELL STRING 3 MIXED

## DESCRIPTION

Elegant and infinitely flexible, Swell String is a modular LED lighting system designed to seamlessly blend the line between indoor and outdoor lighting. Swell String's three shade design can be mixed and matched to create dynamic groupings. Swell String can be suspended both vertically and horizontally in configurations of up to (34) lamps from a single power source to perfectly complement residential, commercial, lounge and hospitality settings alike. Swell is also available in stunning XL sizes for spaces that demand exceptional scale.

## FIXTURE TYPE

Pendant

## LIGHT SOURCE

(1) 3000K E26 base 13W PAR30 LED bulb: 1050lm

## LIGHT CONTROL

Hard-wired, dimmable (Compatible with TRIAC/ELV dimmers)

## FEATURES

Fully dimmable  
For indoor and outdoor use  
Damp rated  
Interconnectable sockets

## SPECIFICATIONS

Voltage: 120V or 240V 60Hz  
Power consumption: 13W  
Color temperature: 3000K  
Luminosity: 1050 Lumens  
Luminaire efficacy: 81 Lumens/Watt  
Color Rendition Index: 82 CRI  
40K hour lifespan  
(3x) 10' (305cm) vertical mounting kit cable included  
30' (915cm) horizontal mounting kit cable sold separately  
8' (244cm) power feed cable and canopy included  
Horizontal mounting kit supports 12 lamps MAX  
MAX interconnected 14.5W lamps: 34  
Title 20/Title 24 compliant  
Dark Sky compliant

## CERTIFICATIONS



## PRODUCT CODES

Swell String Mixed (White/Brass)	SWEL STR MIX WHT/BRA
Swell String Mixed (Black/Brass)	SWEL STR MIX BLK/BRA
Swell String Mixed (Brass/Brass)	SWEL STR MIX BRA/BRA
Swell XL String Mixed (White/Brass)	SWEL STR XL MIX WHT/BRA
Swell XL String Mixed (Black/Brass)	SWEL STR XL MIX BLK/BRA
Swell XL String Mixed (Brass/Brass)	SWEL STR XL MIX BRA/BRA
Swell 12" Extension Cable (White)	SWEL STR ACC EXT 12 WHT
Swell 12" Extension Cable (Black)	SWEL STR ACC EXT 12 BLK
Swell Horizontal Mounting Kit	SWEL HRZ MOUNT

## PACKAGING WEIGHT AND DIMENSIONS

Swell String 3 Mixed:	12.3LBS	16.5" X 16" X 14.5"
	5.6KGS	42cm X 41cm X 37cm
Swell XL Narrow:	6.6LBS	14" X 14" X 20"
	2.7KGS	36cm X 36cm X 51cm
Swell XL Medium:	7.6LBS	20" X 20" X 18"
	3.4KGS	51cm X 51cm X 46cm
Swell XL Wide:	10LBS	26" X 26" X 14"
	4.5KGS	66cm X 66cm X 36cm

## NOTES

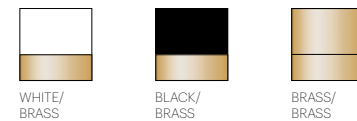
Custom requests can be considered on volume orders

225 Pablo

AVAILABLE GLOBALLY

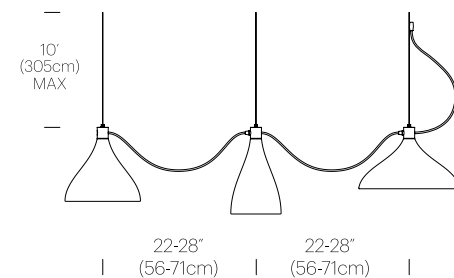


## FINISHES

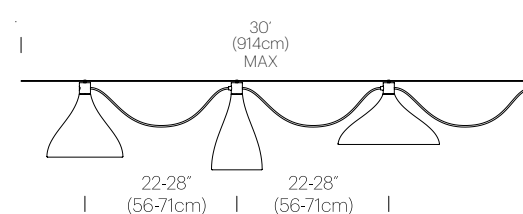


## DIMENSIONS

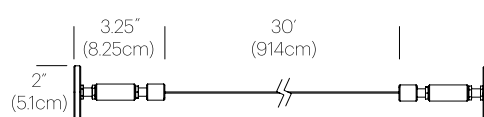
### SWELL STRING 3 MIXED VERTICAL



### SWELL STRING 3 MIXED HORIZONTAL



### HORIZONTAL MOUNTING KIT



### 12" JUMPER CABLE



Pablo 226



# SWELL STRING SINGLE

## DESCRIPTION

Elegant and infinitely flexible, Swell String Single is a modular LED lighting system designed to seamlessly blend the line between indoor and outdoor lighting. Swell String Single allows infinite customization, pick your own collection to create a dramatic and personal grouping to fit any environment. Swell String Single can be suspended both vertically and horizontally in configurations of up to (34) lamps from a single power source to perfectly complement residential, commercial, lounge and hospitality settings alike. Swell is also available in stunning XL sizes for spaces that demand exceptional scale.

## FIXTURE TYPE

Pendant

## LIGHT SOURCE

(1) 3000K E26 base 13W PAR30 LED bulb: 1050lm

## LIGHT CONTROL

Hard-wired, dimmable (Compatible with TRIAC/ELV dimmers)

## FEATURES

Fully dimmable  
For indoor and outdoor use  
Damp rated  
Interconnectable sockets

## SPECIFICATIONS

Voltage: 120V or 240V 60Hz  
Power consumption: 13W  
Color temperature: 3000K  
Luminosity: 1050 Lumens  
Luminaire efficacy: 81 Lumens/Watt  
Color Rendition Index: 82 CRI  
40K hour lifespan  
(1x) 10' (305cm) vertical mounting kit cable included  
30' (915cm) horizontal mounting kit cable sold separately  
8' (244cm) power feed cable and canopy sold separately  
Horizontal mounting kit supports 12 lamps MAX  
MAX interconnected 14.5W lamps: 34  
Title 20/Title 24 compliant  
Dark Sky compliant

## CERTIFICATIONS



## PRODUCT CODES

Swell String Single Narrow (White/Brass):	SWEL STR SNG NRW WHT/BRA
Swell String Single Narrow (Black/Brass):	SWEL STR SNG NRW BLK/BRA
Swell String Single Narrow (Brass/Brass):	SWEL STR SNG NRW BRA/BRA
Swell String Single Medium (White/Brass):	SWEL STR SNG MED WHT/BRA
Swell String Single Medium (Black/Brass):	SWEL STR SNG MED BLK/BRA
Swell String Single Medium (Brass/Brass):	SWEL STR SNG MED BRA/BRA
Swell String Single Wide (White/Brass):	SWEL STR SNG XL WID WHT/BRA
Swell String Single Wide (Black/Brass):	SWEL STR SNG XL WID BLK/BRA
Swell String Single Wide (Brass/Brass):	SWEL STR SNG XL WID BRA/BRA
Swell XL String Single Narrow (White/Brass):	SWEL STR SNG XL NRW WHT/BRA
Swell XL String Single Narrow (Black/Brass):	SWEL STR SNG XL NRW BLK/BRA
Swell XL String Single Narrow (Brass/Brass):	SWEL STR SNG XL NRW BRA/BRA
Swell XL String Single Medium (White/Brass):	SWEL STR SNG XL MED WHT/BRA
Swell XL String Single Medium (Black/Brass):	SWEL STR SNG XL MED BLK/BRA
Swell XL String Single Medium (Brass/Brass):	SWEL STR SNG XL MED BRA/BRA
Swell XL String Single Wide (White/Brass):	SWEL STR SNG XL WID WHT/BRA
Swell XL String Single Wide (Black/Brass):	SWEL STR SNG XL WID BLK/BRA
Swell XL String Single Wide (Brass/Brass):	SWEL STR SNG XL WID BRA/BRA
Swell Power Feed and Canopy (White):	SWEL STR_ACC KIT WHT
Swell Power Feed and Canopy (Black):	SWEL STR_ACC KIT BLK
Swell 12" Extension Cable (White):	SWEL STR_ACC EXT 12 WHT
Swell 12" Extension Cable (Black):	SWEL STR_ACC EXT 12 BLK
Swell Horizontal Mounting Kit:	SWEL HRZ MOUNT

## PACKAGING WEIGHT AND DIMENSIONS

Swell String Single:	5.25LBS	15.5" X 16" X 14.5"
	2.4KGS	39cm X 41cm X 37cm

## NOTES

Custom requests can be considered on volume orders

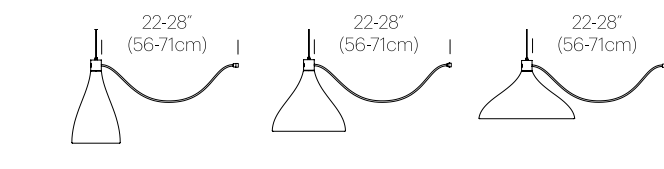


## FINISHES

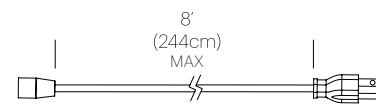


## DIMENSIONS

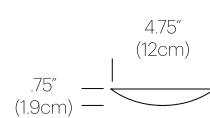
### SWELL STRING SINGLE



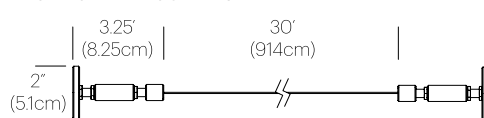
### POWER FEED CABLE



### CANOPY



### HORIZONTAL MOUNTING KIT



### 12" JUMPER CABLE



# SWELL CHANDELIER

## DESCRIPTION

Elegant with undulating contours, Swell Chandelier is an LED chandelier designed to seamlessly blend the line between indoor and outdoor lighting. Swell Chandelier is available in groupings of 3 and 6 lamps, creating a dramatic and personal grouping to fit any environment. Swell is also available in stunning XL sizes for spaces that demand exceptional scale.

## FIXTURE TYPE

Pendant

## LIGHT SOURCE

(1) 3000K E26 base 13W PAR30 LED bulb: 1050lm per lamp

## LIGHT CONTROL

Hard-wired, dimmable  
Compatible with TRIAC/ELV dimmers

## FEATURES

Fully dimmable  
For indoor and outdoor use  
Damp rated

## SPECIFICATIONS

Voltage: 120V or 240V 60Hz  
Power consumption: 13W per lamp  
Color temperature: 3000K  
Luminosity: 1050 Lumens per lamp  
Luminaire efficacy: 81 Lumens/Watt  
Color Rendition Index: 82 CRI  
40K hour lifespan  
Cable length: 10' (305cm)  
Title 20/Title 24 compliant  
Dark Sky compliant

## CERTIFICATIONS



## PRODUCT CODES

Swell Chandelier 3 (White/Brass):	SWEL SNG NRW WHT/BRA
Swell Chandelier 3 (Black/Brass):	SWEL SNG NRW BLK/BRA
Swell Chandelier 3 (Brass/Brass):	SWEL SNG NRW BRA/BRA
Swell Chandelier 6 (White/Brass):	SWEL SNG MED WHT/BRA
Swell Chandelier 6 (Black/Brass):	SWEL SNG MED BLK/BRA
Swell Chandelier 6 (Brass/Brass):	SWEL SNG MED BRA/BRA
Swell Single XL Narrow (White/Brass):	SWEL SNG XL NRW WHT/BRA
Swell Single XL Narrow (Black/Brass):	SWEL SNG XL NRW BLK/BRA
Swell Single XL Narrow (Brass/Brass):	SWEL SNG XL NRW BRA/BRA
Swell Single XL Medium (White/Brass):	SWEL SNG XL MED WHT/BRA
Swell Single XL Medium (Black/Brass):	SWEL SNG XL MED BLK/BRA
Swell Single XL Medium (Brass/Brass):	SWEL SNG XL MED BRA/BRA
Swell Single XL Wide (White/Brass):	SWEL SNG XL WID WHT/BRA
Swell Single XL Wide (Black/Brass):	SWEL SNG XL WID BLK/BRA
Swell Single XL Wide (Brass/Brass):	SWEL SNG XL WID BRA/BRA
17" Chandelier Canopy:	CHND CAN 17
26" Chandelier Canopy:	CHND CAN 26

## PACKAGING WEIGHT AND DIMENSIONS

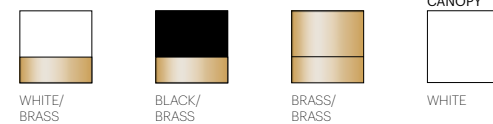
Swell Single:	5.25LBS 2.4KGS	15.5" X 16" X 14.5" 39cm X 41cm X 37cm
Swell XL Narrow:	6.6LBS 2.7KGS	14" X 14" X 20" 36cm X 36cm X 51cm
Swell XL Medium:	7.6LBS 3.4KGS	20" X 20" X 18" 51cm X 51cm X 46cm
Swell XL Wide:	10LBS 4.5KGS	26" X 26" X 14" 66cm X 66cm X 36cm
Chandelier canopy 26":	30LBS 13.6KGS	32" X 32" X 6" 81cm X 81cm X 15cm
Chandelier canopy 17":	15LBS 6.8KGS	22" X 22" X 6" 56cm X 56cm X 15cm

## NOTES

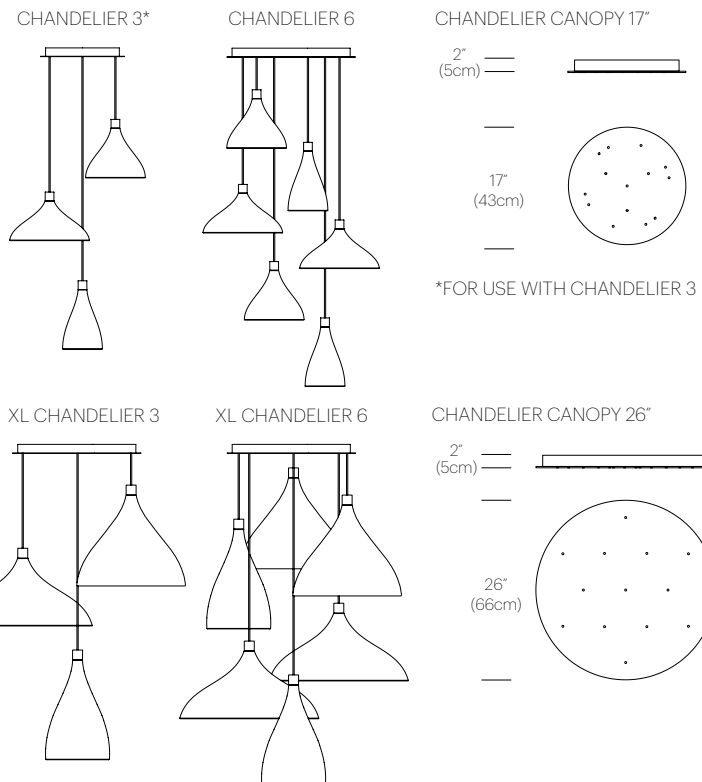
Custom requests can be considered on volume orders



## FINISHES



## DIMENSIONS





# TALIA

Talia's refined and compact design embraces only the essential elements to fulfill its purpose. Smart and powerful, Talia is designed for maximum light control, pairing fully dimmable and glare-free flat panel technology with 360° post rotation and 180° shade rotation to satisfy both task and ambient lighting needs alike. Talia Table also features wireless induction charging to accommodate mobile devices + USB port for added convenience. Available in both Table and Floor standing models, Talia is offered in 6 elegant colorway and metallic accent combinations to provide a refined touch to any setting and decor.

Designer:  
Pablo Pardo + Carmine Deganello + Pablo Studio 2020

Awards:  
2021 European Product Design Award





# TALIA TABLE

## DESCRIPTION

Talia's refined and compact design embraces only the essential elements to fulfill its purpose. Smart and powerful, Talia is designed for maximum light control, pairing fully dimmable and glare-free flat panel technology with 360° post rotation and 180° shade rotation to satisfy both task and ambient lighting needs alike. Talia Table also features wireless induction charging to accommodate mobile devices + USB port for added convenience. Available in both Table and Floor standing models, Talia is offered in 6 elegant colorway and metallic accent combinations to provide a refined touch to any setting and decor.

## FIXTURE TYPE

Table

## LIGHT SOURCE

Flat Panel LED

## LIGHT CONTROL

Optical switch

Full range dimming (100-10%)

2-stage dimming (100/40%)

## FEATURES

Wireless charging w/ indicator light

USB charging port

360° post rotation

180° shade rotation

ADA compliant

6 hour auto off

## SPECIFICATIONS

Voltage: 120/240V 50-60Hz

Power Consumption: 5.1W MAX

Color temperature: 3000K

Luminosity: 350 Lumens

Luminaire efficacy: 51 Lumens/Watt

Color Rendition Index: 90 CRI

Cable length: 6'(183cm)

Power supply: 24W

## CERTIFICATIONS



## PRODUCT CODES

Talia Table (Black):	TALI TBL BLK
Talia Table (Black/Brass):	TALI TBL BLK/BRA
Talia Table (Grey):	TALI TBL GRY
Talia Table (Grey/Silver):	TALI TBL GRY/SLV
Talia Table (White):	TALI TBL WHT
Talia Table (White/Silver):	TALI TBL WHT/SLV

## PACKAGING WEIGHT AND DIMENSIONS

Talia Table:	3.2LBS	18" X 8.1" X 2.2"
	1.5KGS	46cm X 20.5cm X 6cm

## NOTES

Custom requests can be considered on volume orders

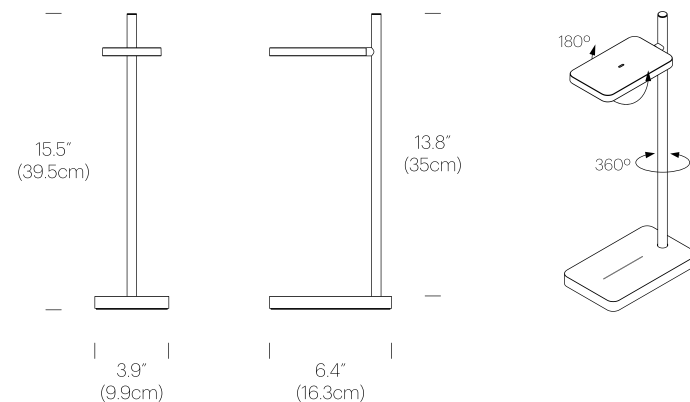


## FINISHES



## DIMENSIONS

TALIA TABLE





# TALIA FLOOR

## DESCRIPTION

Talia's refined and compact design embraces only the essential elements to fulfill its purpose. Smart and powerful, Talia is designed for maximum light control, pairing fully dimmable and glare-free flat panel technology with 360° post rotation and 180° shade rotation to satisfy both task and ambient lighting needs alike. Talia is offered in 6 elegant colorway and metallic accent combinations to provide a refined touch to any setting and decor.

## FIXTURE TYPE

Floor

## LIGHT SOURCE

Flat panel LED

## LIGHT CONTROL

Optical switch

Full range dimming (100-10%)

2-stage dimming (100/40%)

## FEATURES

360° post rotation

180° shade rotation

ADA compliant

Flat Panel LED

6 hour auto off

## SPECIFICATIONS

Voltage: 120/240V 50-60Hz

Power Consumption: 5.1W MAX

Color temperature: 3000K

Luminosity: 350 Lumens

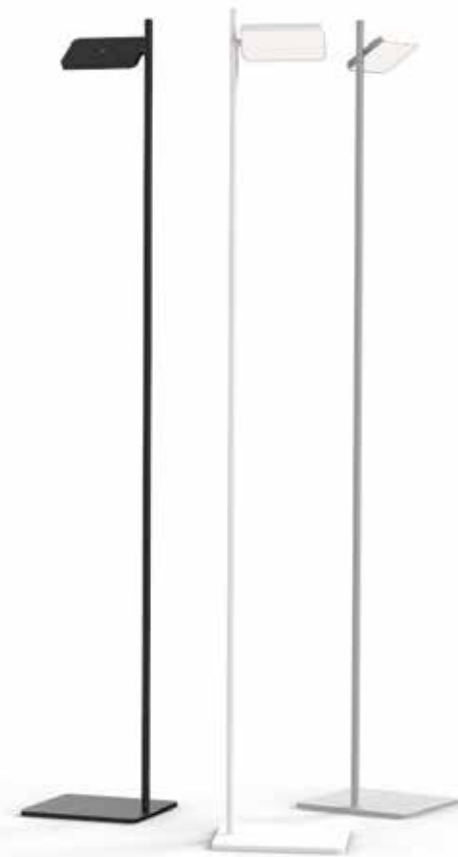
Luminaire efficacy: 51 Lumens/Watt

Color Rendition Index: 90 CRI

Cable length: 6'(183cm)

Power supply: 24W

## CERTIFICATIONS

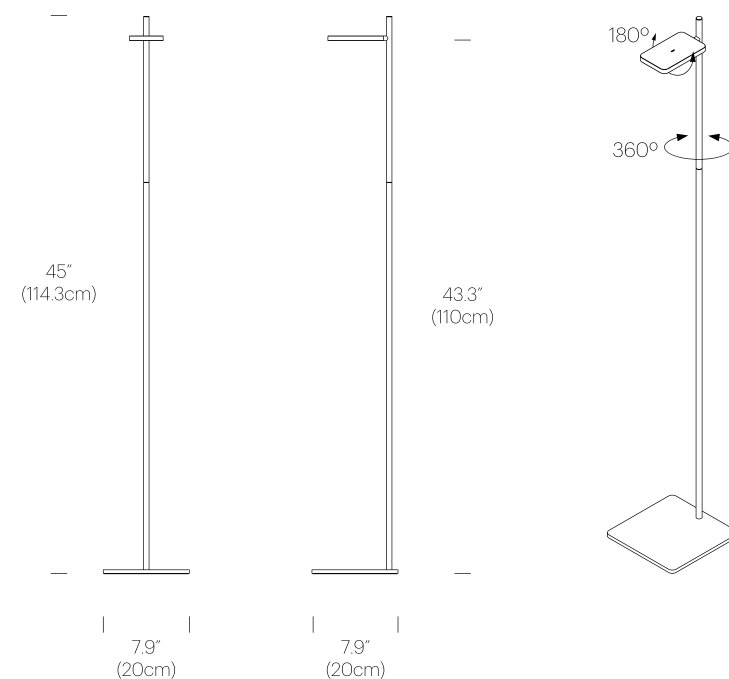


## FINISHES



## DIMENSIONS

TALIA FLOOR



## PRODUCT CODES

Talia Floor (Black):	TALI FLR BLK
Talia Floor (Black/Brass):	TALI FLR BLK/BRA
Talia Floor (Grey):	TALI FLR GRY
Talia Floor (Grey/Silver):	TALI FLR GRY/SLV
Talia Floor (White):	TALI FLR WHT
Talia Floor (White/Silver):	TALI FLR WHT/SLV

## PACKAGING WEIGHT AND DIMENSIONS

Talia Floor:	7.5LBS	33.2" X 11.9" X 2.1"
	3.5KGS	84cm X 30cm X 5.3cm

## NOTES

Custom requests can be considered on volume orders

235 **Pablo**

AVAILABLE GLOBALLY

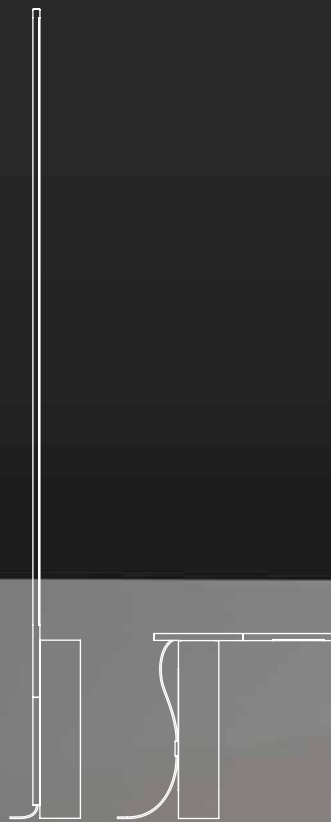
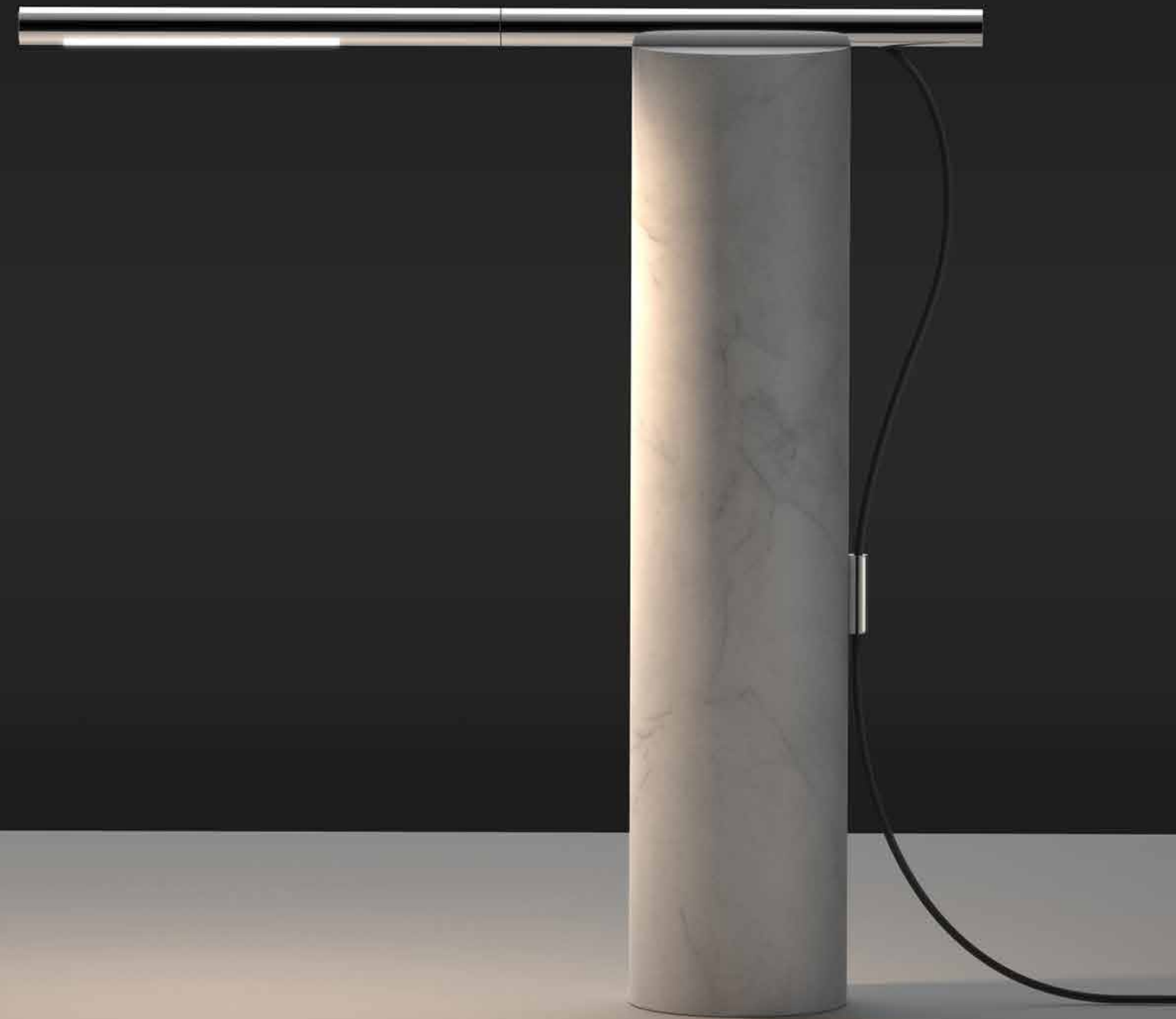


**Pablo** 236

# T.O

T.O celebrates and reinforces the importance of light as a pillar of our daily life. A monolithic column stands to support a horizontal and vertical line of light to provide precise light control in all directions. T.O embodies a harmonious dialogue between solidity and lightness offering unlimited contexts for use in residential and workplace environments, all within a minimal footprint. T.O features a fully dimmable LED light source with tactile push switch appropriately positioned at the end of arm. Both table and floor versions feature a magnetically attached light arm over a marble cylinder base while the light wand can be rotated up to 360 degrees to provide both direct and indirect light for task and ambient lighting needs alike. T.O is offered in 2 marble base finishes in Marquina black and Carrara white while the light arm is elegantly contrasted in polished surfaces in brass and chrome. T.O is a seamless integration of functional lighting and sculpture.

Designer:  
Carmine Deganello + Pablo Studio 2021





# T.O TABLE

## DESCRIPTION

T.O celebrates and reinforces the importance of light as a pillar of our daily life. A monolithic column stands to support a horizontal and vertical line of light to provide precise light control in all directions. T.O embodies a harmonious dialogue between solidity and lightness offering unlimited contexts for use in residential and workplace environments, all within a minimal footprint. T.O features a fully dimmable LED light source with tactile push switch appropriately positioned at the end of arm. Both table and floor versions feature a magnetically attached light arm over a marble cylinder base while the light wand can be rotated up to 360 degrees to provide both direct and indirect light for task and ambient lighting needs alike. T.O is offered in 2 matte base finishes in Marquina black and Carrara white while the light arm is elegantly contrasted in polished surfaces in brass and chrome. T.O is a seamless integration of functional lighting and sculpture.

## FIXTURE TYPE

Table

## LIGHT SOURCE

High output LED array

## LIGHT CONTROL

Mechanical push button  
Full range dimming (100-10%)  
2-stage dimming (100/40%)

## FEATURES

360° arm rotation  
Advanced LED array eliminates multiple shadows

## SPECIFICATIONS

Voltage: 120-240V 50/60Hz  
Power Consumption: 4.5W  
Color Temperature: 3000K  
Luminosity: 300 Lumens  
Luminaire efficacy: 67 Lumens/Watt  
Color Rendition Index: 90 CRI  
Cord length: 6' (1.8m)

## CERTIFICATIONS



## PRODUCT CODES

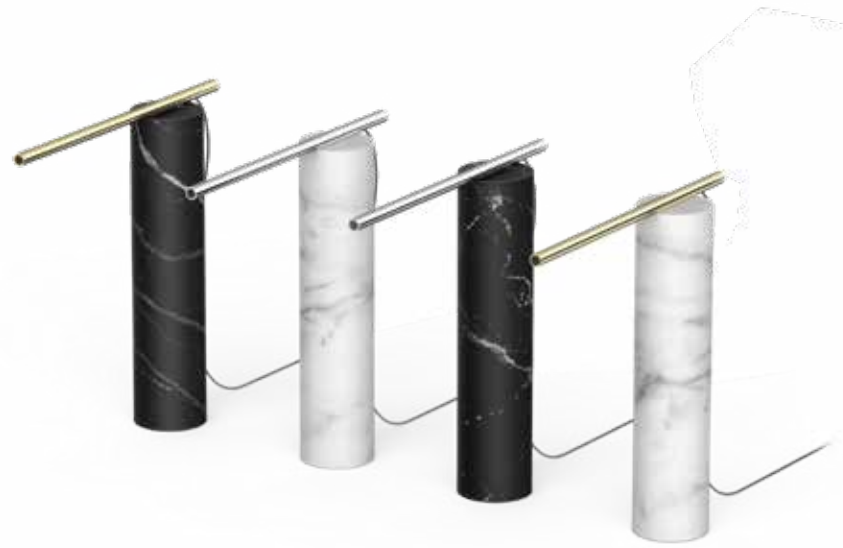
T.O Table (Black/Brass):	TO TBL BLK/BRA
T.O Table (Black/Chrome):	TO TBL BLK/CRM
T.O Table (White/Brass):	TO TBL WHT/BRA
T.O Table (White/Chrome):	TO TBL WHT/CRM

## PACKAGING WEIGHT AND DIMENSIONS

T.O Table:	9.5LBS	6.25" X 6.25" X 16"
	2.3KGS	16cm X 16cm X 40cm

## NOTES

Custom requests can be considered on volume orders



## FINISHES

### BASE



MARQUINA BLACK



CARRARA WHITE

### ARM



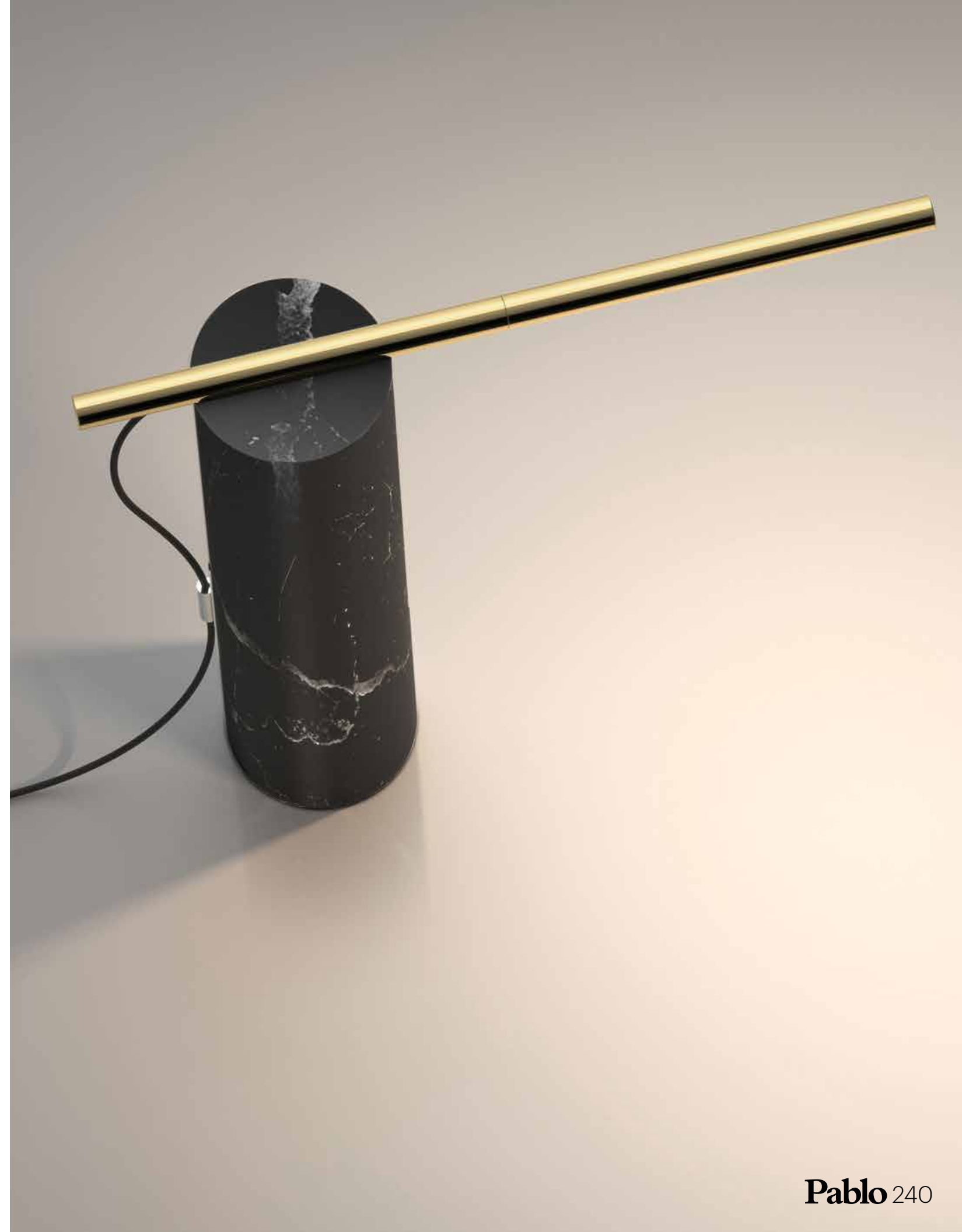
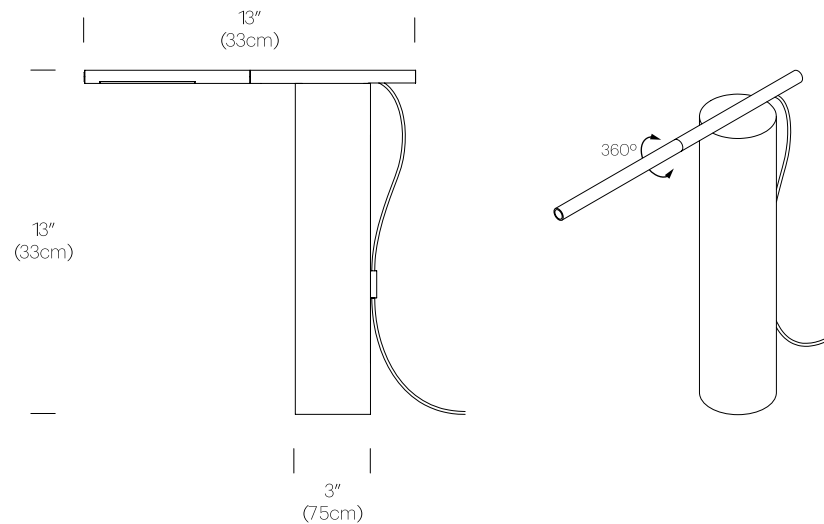
BRASS



CHROME

## DIMENSIONS

### T.O TABLE







# T.O FLOOR

## DESCRIPTION

T.O celebrates and reinforces the importance of light as a pillar of our daily life. A monolithic column stands to support a vertical line of light to provide precise light control. T.O embodies a harmonious dialogue between solidity and lightness offering unlimited contexts for use in residential and workplace environments, all within a minimal footprint. T.O features a fully dimmable LED light source with tactile push switch appropriately positioned at the end of arm. Both table and floor versions feature a magnetically attached light arm over a marble cylinder base while the light wand can be rotated up to 360 degrees to provide both direct and indirect light for task and ambient lighting needs alike. T.O is offered in 2 matte base finishes in Marquina black and Carrara white while the light arm is elegantly contrasted in polished surfaces in brass and chrome. T.O is a seamless integration of functional lighting and sculpture.

## FIXTURE TYPE

Floor

## LIGHT SOURCE

High output LED array

## LIGHT CONTROL

Mechanical push button

Full range dimming (100-10%)

2-stage dimming (100/40%)

## FEATURES

360° arm rotation

Advanced LED array eliminates multiple shadows

## SPECIFICATIONS

Voltage: 120-240V 50/60Hz

Power Consumption: 10W

Color Temperature: 3000K

Luminosity: 750 Lumens

Luminaire efficacy: 75 Lumens/Watt

Color Rendition Index: 90 CRI

Cable Length: 6' (1.8m)

## CERTIFICATIONS



## PRODUCT CODES

T.O Floor (Black/Brass):	TO FLR BLK/BRA
T.O Floor (Black/Chrome):	TO FLR BLK/CRM
T.O Floor (White/Brass):	TO FLR WHI/BRA
T.O Floor (White/Chrome):	TO FLR WHI/CRM

## PACKAGING WEIGHT AND DIMENSIONS

T.O Floor:	9.5LBS	6.25" X 6.25" X 16"
(Base)	2.3KGS	16cm X 16cm X 40cm
T.O Floor:	9.5LBS	6.25" X 6.25" X 16"
(Lamp Arm)	2.3KGS	16cm X 16cm X 40cm

## NOTES

Custom requests can be considered on volume orders



## FINISHES

### BASE



MARQUINA BLACK



CARRARA WHITE

### ARM



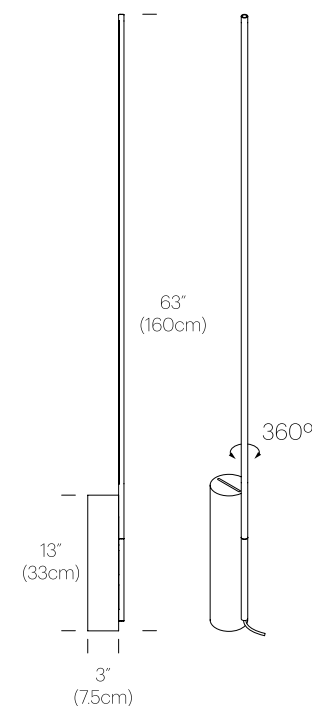
BRASS



CHROME

## DIMENSIONS

### TO FLOOR





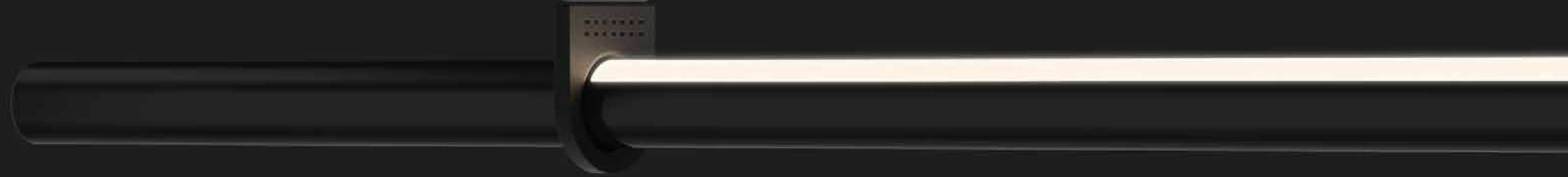
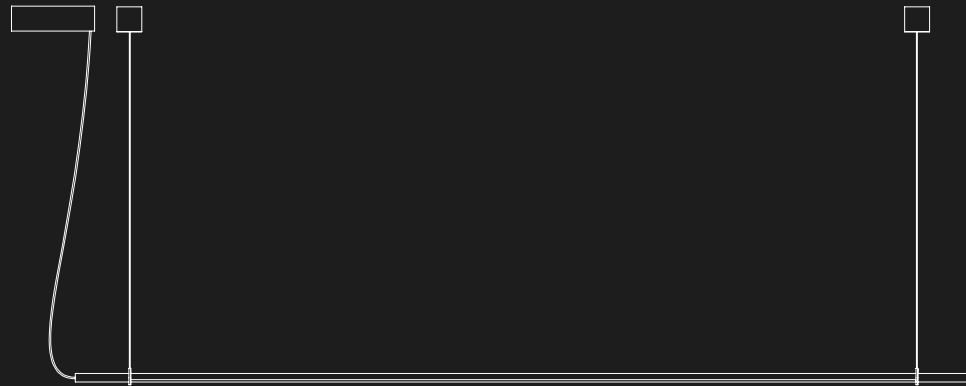
Minimalista



# T.O PENDANT

T.O Pendant celebrates the importance of light as a pillar of daily life. T.O features an elegant wand of light suspended by two decorative woven nylon belts finished with over-molded features that allow for full 360-degree rotation to direct light in all directions. T.O Pendant can transform from a direct task-oriented light to indirect ambience with minimal effort. It's suspension system allows for ultimate freedom and creativity to suspend in a wide variety of configurations from a linear series, to multi-axis and multi-level groupings to create stunning displays for residential and workplace environments alike. T.O Pendant's is offered in polished chrome, matte black, and matte grey finishes paired with suspension belts in burnt orange, graphite, and light grey and can be mixed and matched to any desire.

Designer:  
Carmine Deganello + Pablo Studio 2023



# T.O PENDANT

## DESCRIPTION

T.O Pendant celebrates the importance of light as a pillar of daily life. T.O features an elegant wand of light suspended by two decorative woven nylon belts finished with over-molded features that allow for full 360-degree rotation to direct light in all directions. T.O Pendant can transform from a direct task-oriented light to indirect ambience with minimal effort. It's suspension system allows for ultimate freedom and creativity to suspend in a wide variety of configurations from a linear series, to multi-axis and multi-level groupings to create stunning displays for residential and workplace environments alike. T.O Pendant's is offered in polished chrome, matte black, and matte grey finishes paired with colorful suspension belts in burnt orange, graphite, and light grey and can be mixed and matched to any desire.

## FIXTURE TYPE

Pendant

## LIGHT SOURCE

High output LED array

## LIGHT CONTROL

Mechanical push button  
Full range dimming (100-10%)  
2-stage dimming (100/40%)

## FEATURES

360° arm rotation  
Advanced LED array eliminates multiple shadows

## SPECIFICATIONS

Voltage: 120-277V 50/60Hz  
Power Consumption: 10W  
Color Temperature: 2700K  
Beam Angle : 110°  
Luminosity: 750 Lumens  
Luminaire efficacy: 75 Lumens/Watt  
Color Rendition Index: 90 CRI  
Cable Length: 10' (3m)  
Belt Length: 10' (3m)

## CERTIFICATIONS



## PRODUCT CODES

T.O Pendant (Black/Graphite):	TO PND BLK GPT
T.O Pendant (Black/Light Grey):	TO PND BLK GRY
T.O Pendant (Black/Burnt Orange):	TO PND BLK ORG
T.O Pendant (Chrome/Graphite):	TO PND CRM GPT
T.O Pendant (Chrome/Light Grey):	TO PND CRM GRY
T.O Pendant (Chrome/Burnt Orange):	TO PND CRM ORG
T.O Pendant (Grey/Graphite):	TO PND GRY GPT
T.O Pendant (Grey/Light Grey):	TO PND GRY GRY
T.O Pendant (Grey/Burnt Orange):	TO PND GRY ORG

## PACKAGING WEIGHT AND DIMENSIONS

T.O Pendant:	2.5LBS	3" X 6" X 57"
(Lamp)	1.1KGS	7.6cm X 15cm X 145cm
T.O Pendant:	1.5LBS	10" X 8.25" X 4.3"
(Accessories)	.7KGS	25.5cm X 21cm X 11cm

## NOTES

Custom requests can be considered on volume orders



## FINISHES

### SUSPENSION BELT



BURNT ORANGE



GRAPHITE



LIGHT GREY

### LAMP



CHROME



MATTE BLACK



MATTE GREY

## DIMENSIONS

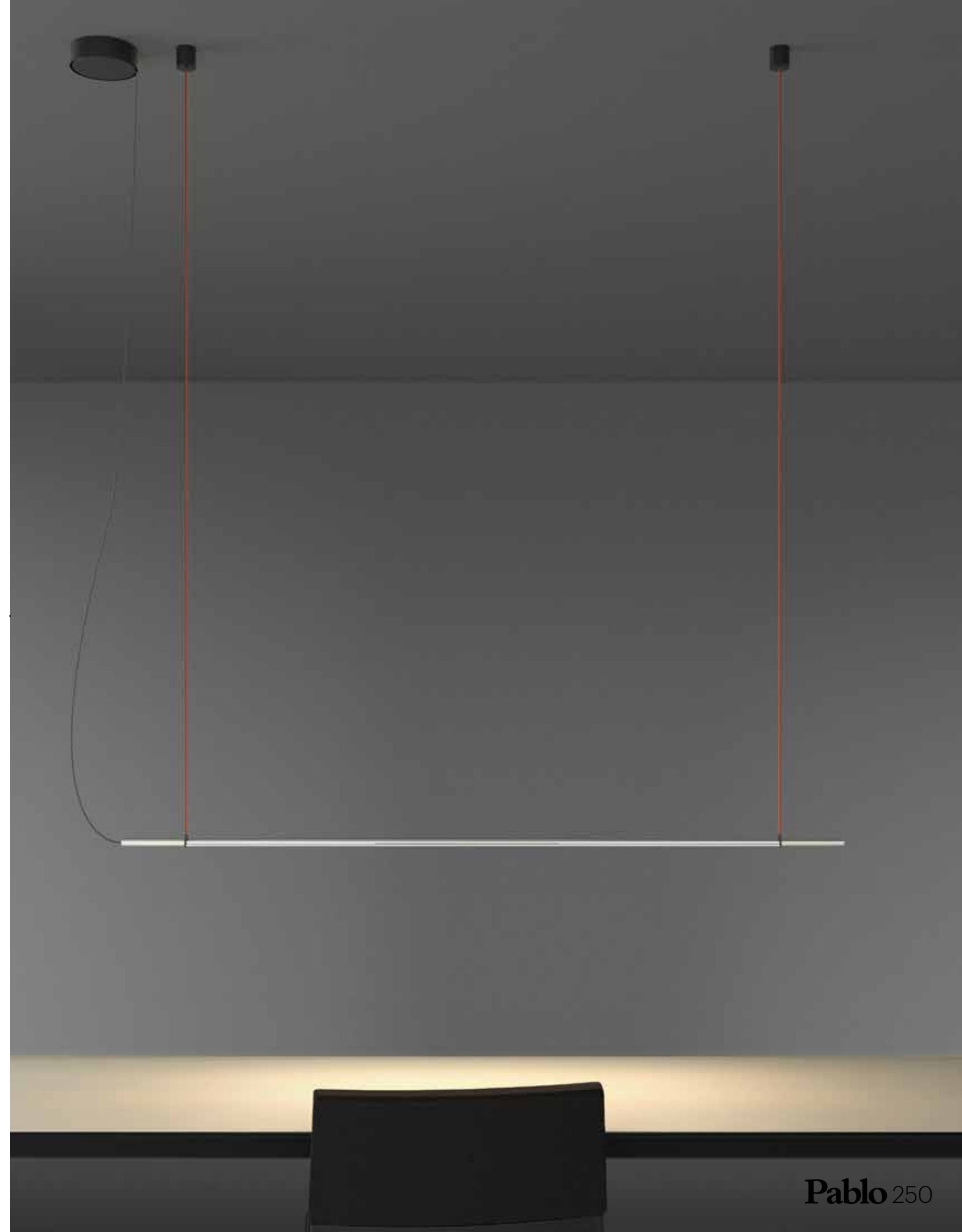
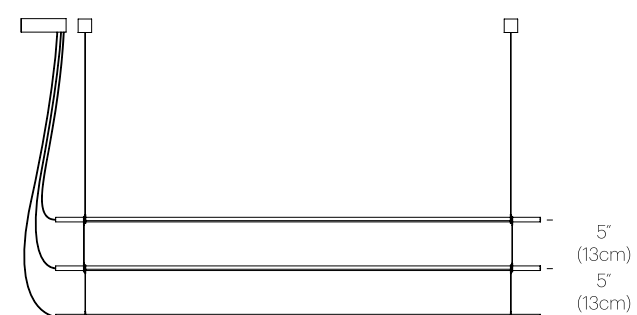
### TO PENDANT



### TO PENDANT 2 STACK

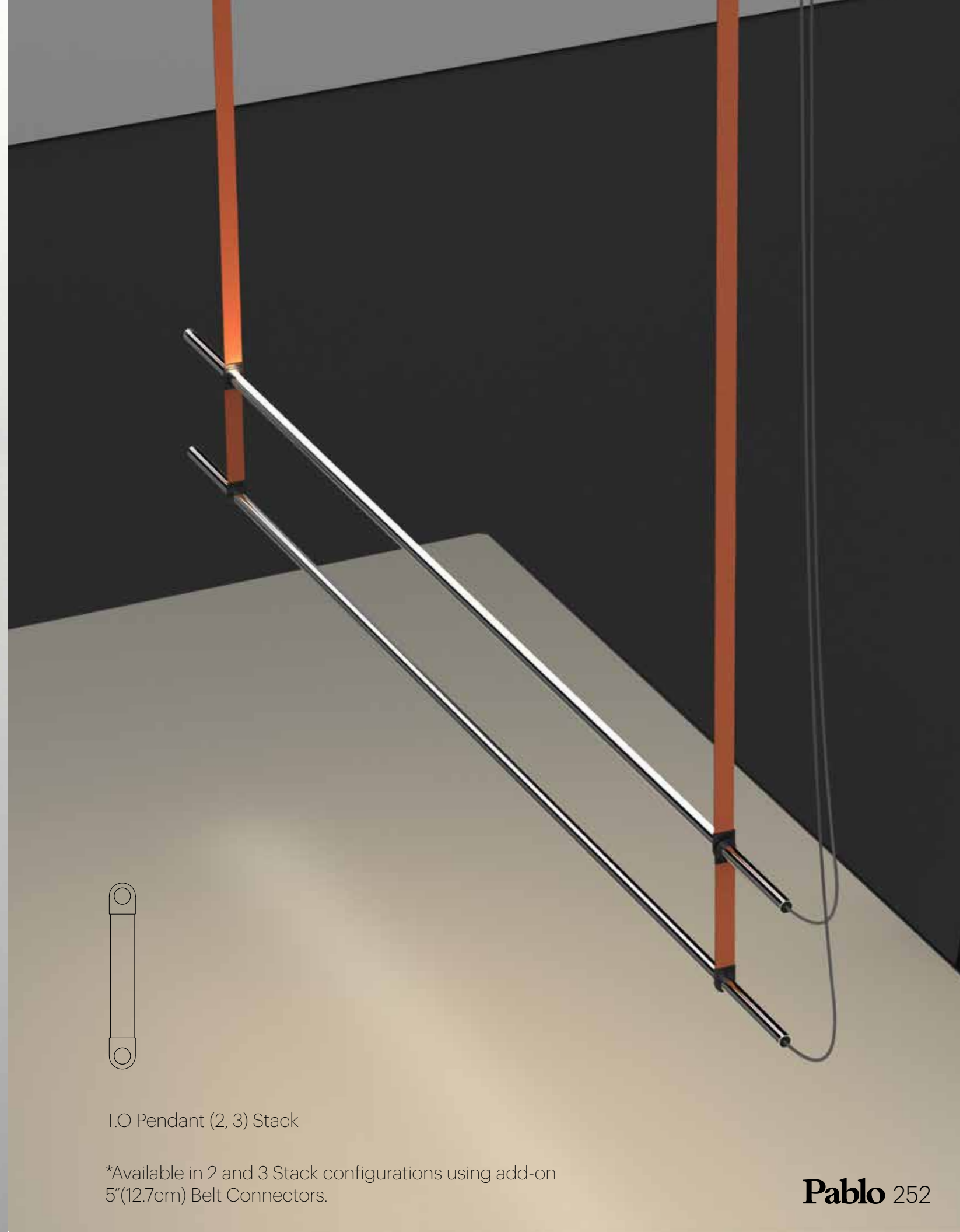


### TO PENDANT 3 STACK





Universal Canopy with Belt Mount



T.O Pendant (2, 3) Stack

\*Available in 2 and 3 Stack configurations using add-on 5"(12.7cm) Belt Connectors.



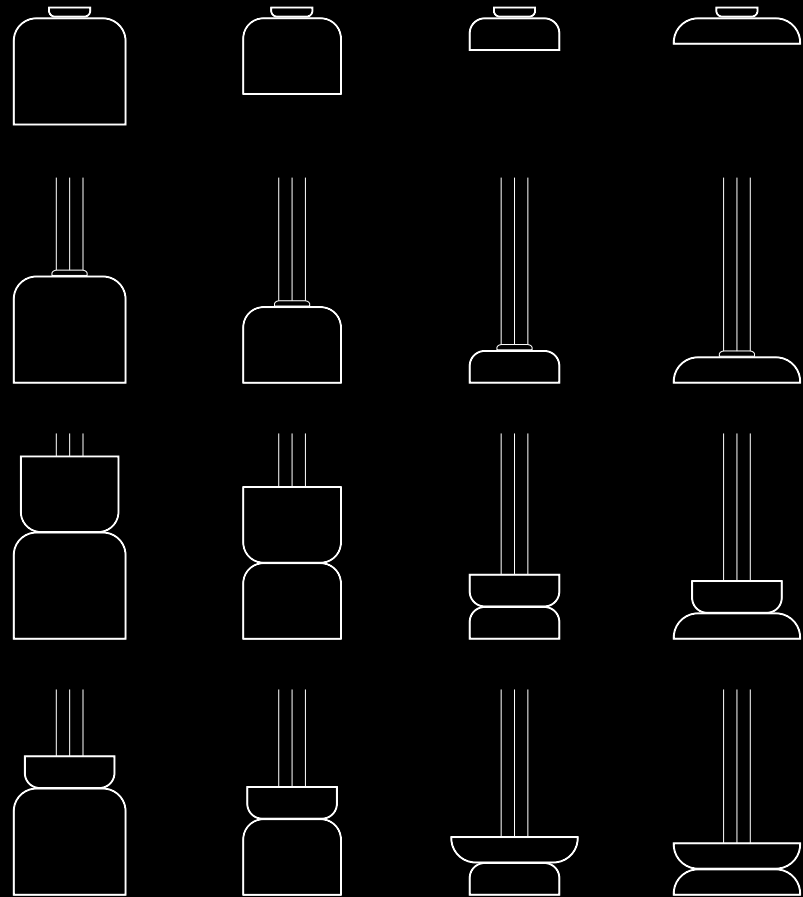




# TOTEM

Totem is a versatile pendant lighting collection comprised of exquisitely blown opal glass shades designed around a modular platform. Totem's soft, pure white geometric forms provide a charming interplay of unique combinations to provide warmth and elegance to any space. Users can select from 4 shade styles (A,B,C,D) to mix and match to create an ensemble of 20 unique pendant combinations. Totem provides both direct and indirect illumination by employing a two-part LED light engine that provides both uplight and downlight resulting in a warm and dimmable ambient glow projecting through its softly diffused glass structure. Totem singles can be used in flush mount down-light only scenarios as well.

Designer:  
Pablo Pardo + Pablo Studio 2023





# TOTEM UP/DOWN LIGHT

## DESCRIPTION

Totem is a versatile pendant lighting collection comprised of exquisitely blown opal glass shades designed around a modular platform. Totem's soft, pure white geometric forms provide a charming interplay of unique combinations to provide warmth and elegance to any space. Users can select from 4 shade styles (A,B,C,D) to mix and match to create an ensemble of 20 unique pendant combinations. Totem provides both direct and indirect illumination by employing a two-part LED light engine that provides both uplight and downlight resulting in a warm and dimmable ambient glow projecting through its softly diffused glass structure. Totem singles can be used in flush mount downlight only scenarios as well.

## FIXTURE TYPE

Pendant

## LIGHT SOURCE

High output LED array

## LIGHT CONTROL

Fully dimmable

## FEATURES

20 Unique Pendant Combinations  
Uplight/Downlight

## SPECIFICATIONS

Voltage: 120 or 240V 50/60Hz (120-277V 0-10V driver available by request)  
Power Consumption: 18W  
Color Temperature: 2700-2200K DTW (Dim-to-Warm)  
Luminosity: 1800 Lumens Total (1400down/400up)  
Luminaire efficacy: 100 Lumens/Watt  
Color Rendition Index: 90 CRI  
Cable Length: 10' (3m)

## CERTIFICATIONS



## PRODUCT CODES

Totem Up/Down (AA)	TOTE UPDWN AA
Totem Up/Down (AB)	TOTE UPDWN AB
Totem Up/Down (AC)	TOTE UPDWN AC
Totem Up/Down (AD)	TOTE UPDWN AD
Totem Up/Down (BA)	TOTE UPDWN BA
Totem Up/Down (BB)	TOTE UPDWN BB
Totem Up/Down (BC)	TOTE UPDWN BC
Totem Up/Down (BD)	TOTE UPDWN BD
Totem Up/Down (CA)	TOTE UPDWN CA
Totem Up/Down (CB)	TOTE UPDWN CB
Totem Up/Down (CC)	TOTE UPDWN CC
Totem Up/Down (CD)	TOTE UPDWN CD
Totem Up/Down (DA)	TOTE UPDWN DA
Totem Up/Down (DB)	TOTE UPDWN DB
Totem Up/Down (DC)	TOTE UPDWN DC
Totem Up/Down (DD)	TOTE UPDWN DD

## PACKAGING WEIGHT AND DIMENSIONS

Totem A:	8LBS	20" X 20" X 20"
(Shade)	3.6KGS	50cm X 50cm X 50cm
Totem B:	6.5LBS	17" X 17" X 15"
(Shade)	3KGS	43cm X 43cm X 38cm
Totem C:	4LBS	16.5" X 16.5" X 10"
(Shade)	1.8KGS	42cm X 42cm X 25cm
Totem D:	3.3LBS	22" X 22" X 9"
(Shade)	1.5KGS	56cm X 56cm X 23cm

## NOTES

Custom requests can be considered on volume orders



## FINISHES

CANOPY



WHITE

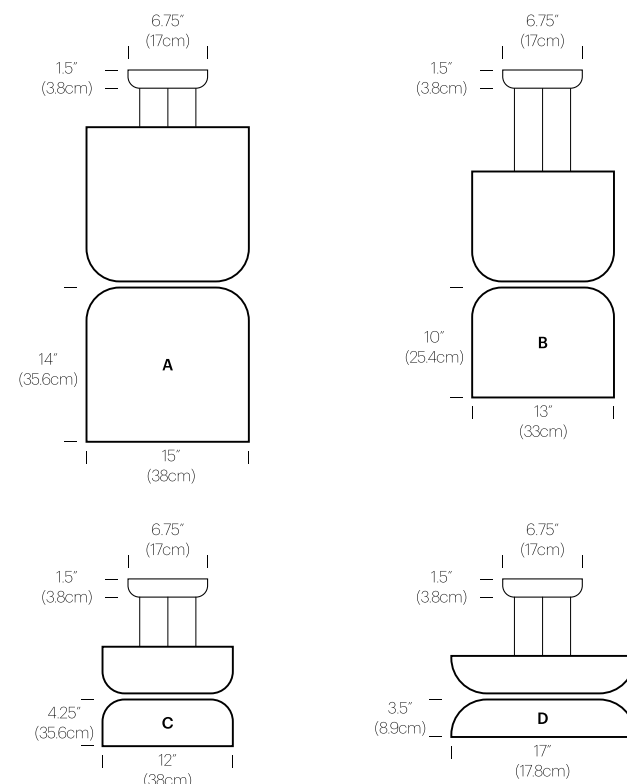
SHADE



OPAL GLASS

## DIMENSIONS

TOTEM UP/DOWN





# TOTEM DOWN LIGHT

## DESCRIPTION

Totem is a versatile pendant lighting collection comprised of exquisitely blown opal glass shades designed around a modular platform. Totem's soft, pure white geometric forms provide a charming interplay of unique combinations to provide warmth and elegance to any space. Users can select from 4 shade styles (A,B,C,D) to mix and match to create an ensemble of 20 unique pendant combinations. Totem provides both direct and indirect illumination by employing a two-part LED light engine that provides both uplight and downlight resulting in a warm and dimmable ambient glow projecting through its softly diffused glass structure. Totem singles can be used in flush mount downlight only scenarios as well.

## FIXTURE TYPE

Pendant

## LIGHT SOURCE

High output LED array

## LIGHT CONTROL

Fully dimmable

## FEATURES

20 Unique Pendant Combinations  
Uplight/Downlight

## SPECIFICATIONS

Voltage: 120 or 240V 50/60Hz (120-277V 0-10V driver available by request)  
Power Consumption: 13W  
Color Temperature: 2700-2200K DTW (Dim-to-Warm)  
Luminosity: 1400 Lumens  
Luminaire efficacy: 108 Lumens/Watt  
Color Rendition Index: 90 CRI  
Cable Length: 10' (3m)

## CERTIFICATIONS



## PRODUCT CODES

Totem Down (A)	TOTE DWN A
Totem Down (B)	TOTE DWN B
Totem Down (C)	TOTE DWN C
Totem Down (D)	TOTE DWN D

## PACKAGING WEIGHT AND DIMENSIONS

Totem A:	8LBS	20" X 20" X 20"
(Shade)	3.6KGS	50cm X 50cm X 50cm
Totem B:	6.5LBS	17" X 17" X 15"
(Shade)	3KGS	43cm X 43cm X 38cm
Totem C:	4LBS	16.5" X 16.5" X 10"
(Shade)	1.8KGS	42cm X 42cm X 25cm
Totem D:	3.3LBS	22" X 22" X 9"
(Shade)	1.5KGS	56cm X 56cm X 23cm

## NOTES

Custom requests can be considered on volume orders



## FINISHES

CANOPY



WHITE

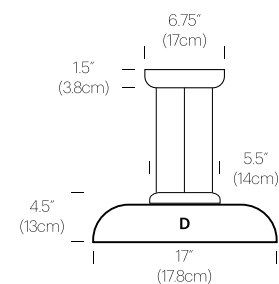
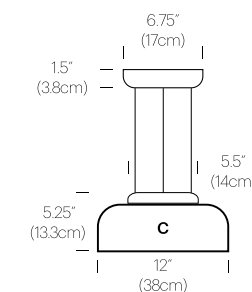
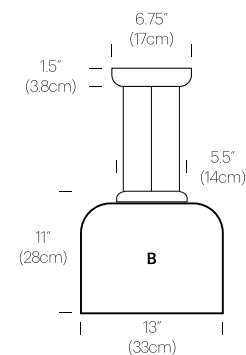
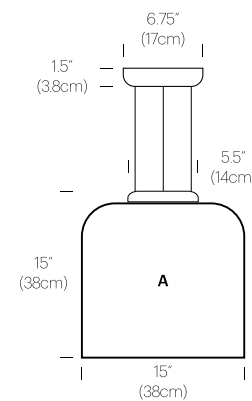
SHADE



OPAL GLASS

## DIMENSIONS

TOTEM DOWN



# TOTEM FLUSH

## DESCRIPTION

Totem is a versatile pendant lighting collection comprised of exquisitely blown opal glass shades designed around a modular platform. Totem's soft, pure white geometric forms provide a charming interplay of unique combinations to provide warmth and elegance to any space. Users can select from 4 shade styles (A,B,C,D) to mix and match to create an ensemble of 20 unique pendant combinations. Totem provides both direct and indirect illumination by employing a two-part LED light engine that provides both uplight and downlight resulting in a warm and dimmable ambient glow projecting through its softly diffused glass structure. Totem singles can be used in flush mount downlight only scenarios as well.

## FIXTURE TYPE

Pendant

## LIGHT SOURCE

High output LED array

## LIGHT CONTROL

Fully dimmable

## FEATURES

20 Unique Pendant Combinations  
Uplight/Downlight

## SPECIFICATIONS

Voltage: 120 or 240V 50/60Hz (120-277V 0-10V driver available by request)  
Power Consumption: 13W  
Color Temperature: 2700-2200K DTW (Dim-to-Warm)  
Luminosity: 1400 Lumens  
Luminaire efficacy: 108 Lumens/Watt  
Color Rendition Index: 90 CRI  
Cable Length: 10' (3m)

## CERTIFICATIONS



## PRODUCT CODES

Totem Flush (A)	TOTE FSH A
Totem Flush (B)	TOTE FSH B
Totem Flush (C)	TOTE FSH C
Totem Flush (D)	TOTE FSH D

## PACKAGING WEIGHT AND DIMENSIONS

Totem A:	8LBS	20" X 20" X 20"
(Shade)	3.6KGS	50cm X 50cm X 50cm
Totem B:	6.5LBS	17" X 17" X 15"
(Shade)	3KGS	43cm X 43cm X 38cm
Totem C:	4LBS	16.5" X 16.5" X 10"
(Shade)	1.8KGS	42cm X 42cm X 25cm
Totem D:	3.3LBS	22" X 22" X 9"
(Shade)	1.5KGS	56cm X 56cm X 23cm

## NOTES

Custom requests can be considered on volume orders

265 **Pablo**

AVAILABLE GLOBALLY



CANOPY



WHITE

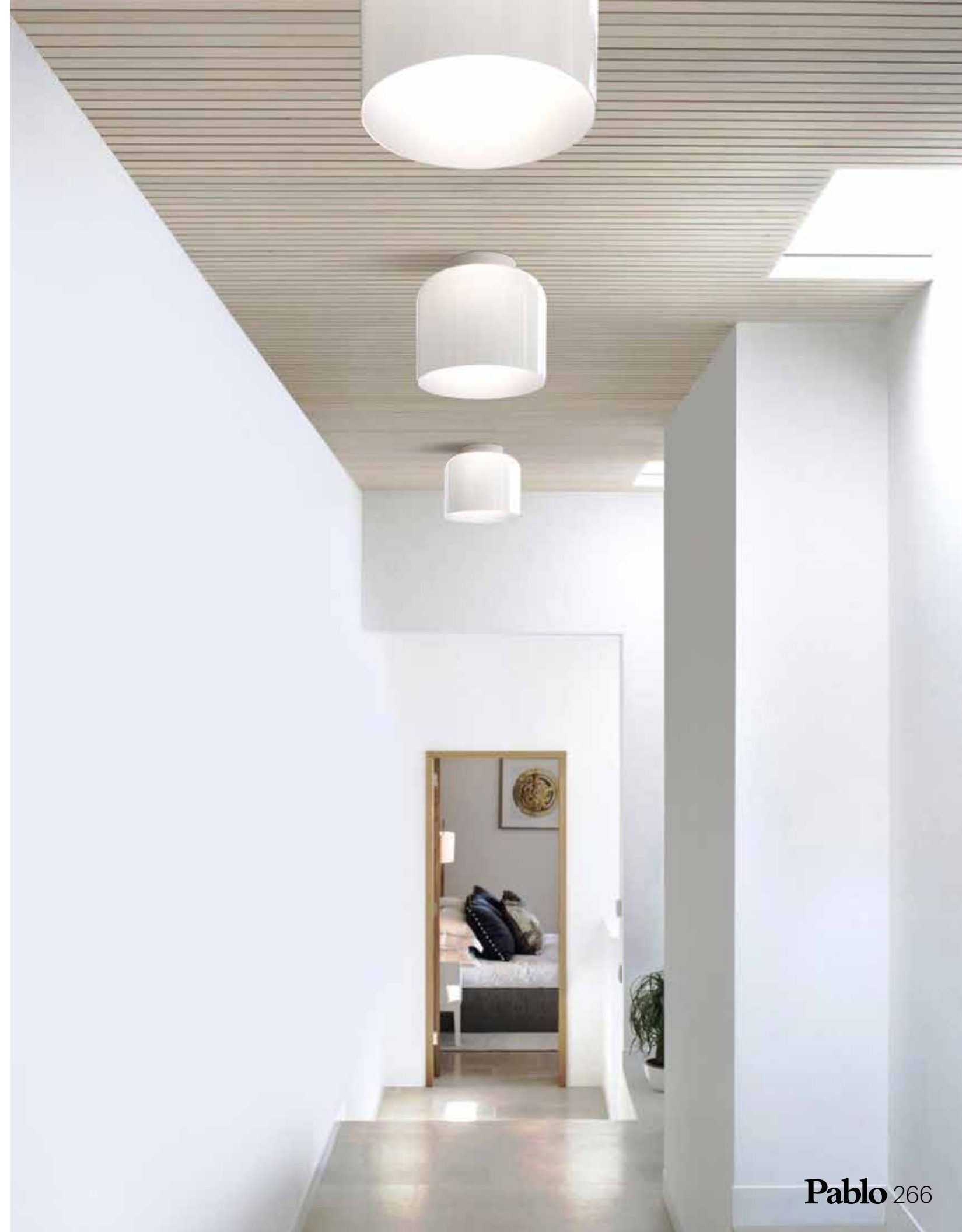
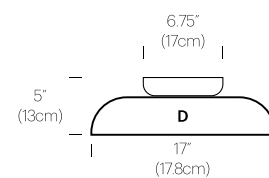
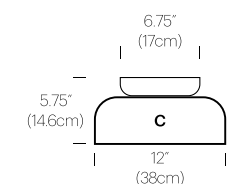
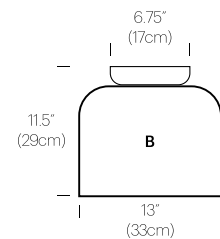
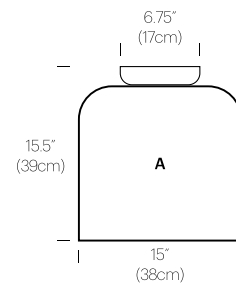
SHADE



OPAL GLASS

## DIMENSIONS

TOTEM FLUSH



**Pablo** 266







# TOTEM MINI KIT

## DESCRIPTION

Totem Mini Kit is comprised of (8) 1:5 scale shade replicas of the Totem lighting system purposely designed as an interactive visual aid to help create your own custom Totem shade combinations and groupings. These precious and charming glass pieces are made of durable Opal glass and are liquid safe to double-duty as collectible drink vessels. The Totem Collection this kit represents is a versatile lighting system comprised of exquisitely blown opal glass shades designed around a modular platform. Totem's soft, pure white geometric forms provide a charming interplay of unique combinations to provide warmth and elegance to any space. Users can select from 4 shade styles (A,B,C,D) to mix and match to create an ensemble of 20 unique pendant and flush combinations.

## FEATURES

- 20 Unique Pendant Combinations
- Magnetic attachment
- Collectable drinking vessels

## PRODUCT CODES

Totem Mini Kit	TOTE SALE KIT
----------------	---------------

## PACKAGING WEIGHT AND DIMENSIONS

Totem Mini Kit:	1.5LBS	8" X 15" X 4.25"
	.7KGS	20.3cm X 38cm X 10.8cm

## FINISHES

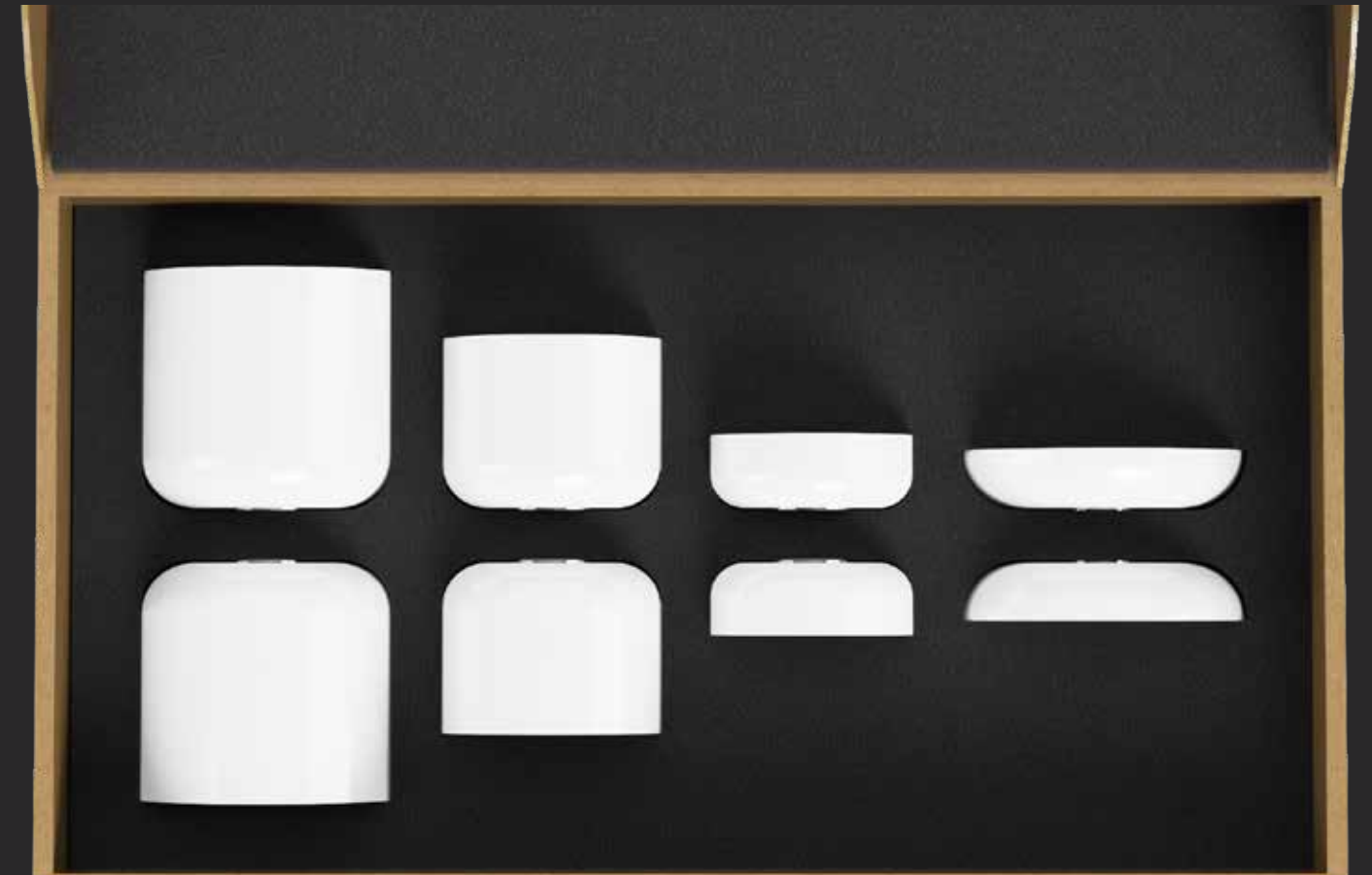
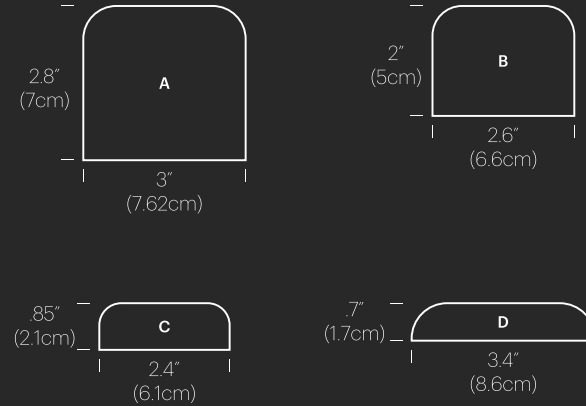
### SHADE



OPAL GLASS

## DIMENSIONS

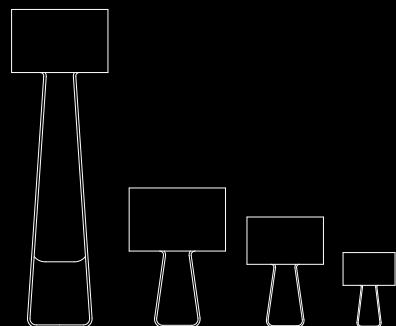
### TOTEM MINI KIT



# TUBE TOP

Tube Top comfortably abstracts the classic, domestic lamp silhouette to suit any style of interior. As designer Peter Stathis remarks, "Pablo is well known for their rigorously minimal products, and my goal was to augment that range by introducing a new light that applies a modern sensibility to a traditional lamp type." Playing with that traditional form, Tube Top combines a transparent, sculpted acrylic base to support its lightweight mesh shade in tension, allowing the shade to appear to float freely. Tube Top is available in multiple table and floor models.

Designer:  
Peter Stathis 2006





# TUBE TOP TABLE

## DESCRIPTION

A minimalist statement in form and proportion, Tube Top combines a transparent formed acrylic base to support its elegant mesh fabric shade in tension, steering away from conventional modes of construction. Its lightweight shade appears to float freely, gently tethered by its fabric cable. Tube Top is available in multiple table, floor and pendant models.

## FIXTURE TYPE

Table

## LIGHT SOURCE

TT 14: (1) Frosted candelabra base 60W G16½ bulb: 672lm

TT 21: (2x) 2900K E26 base 53W BT15 bulbs: 2100lm

TT 27: (2x) 2900K E26 base 72W BT15 bulbs: 2980lm

(LED bulbs available upon request)

## LIGHT CONTROL

Full range dim (In-line rotary dimmer)

## FEATURES

Multiple sizes for a variety of applications

## SPECIFICATIONS

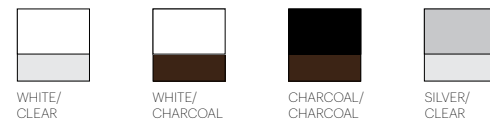
Voltage: 120V

Cable length: 6' (182cm)

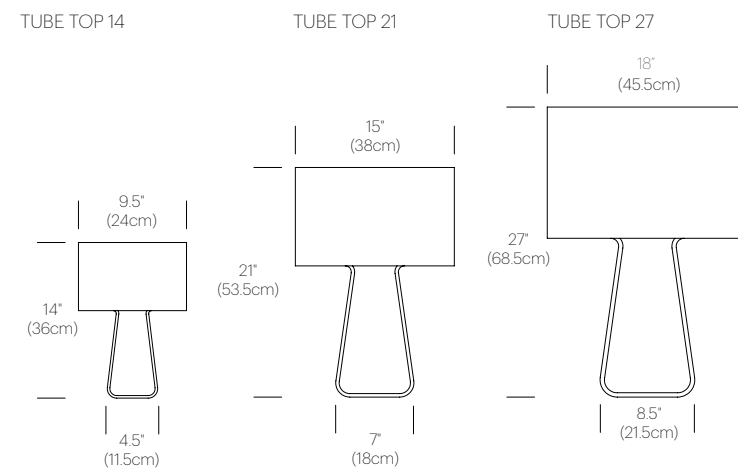
## CERTIFICATIONS



## FINISHES



## DIMENSIONS



## PRODUCT CODES

Tube Top 14 (Silver/Clear):	TUBE 14 GRY/CLR
Tube Top 14 (White/Clear):	TUBE 14 WHT/CLR
Tube Top 14 (White/Char):	TUBE 14 WHT/CHR
Tube Top 14 (Charcoal/Charcoal):	TUBE 14 CHR/CHR
Tube Top 21 (Silver/Clear):	TUBE 21 GRY/CLR
Tube Top 21 (White/Clear):	TUBE 21 WHT/CLR
Tube Top 21 (White/Char):	TUBE 21 WHT/CHR
Tube Top 21 (Charcoal/Charcoal):	TUBE 21 CHR/CHR
Tube Top 27 (Silver/Clear):	TUBE 27 GRY/CLR
Tube Top 27 (White/Clear):	TUBE 27 WHT/CLR
Tube Top 27 (White/Char):	TUBE 27 WHT/CHR
Tube Top 27 (Charcoal/Charcoal):	TUBE 27 CHR/CHR

## PACKAGING WEIGHT AND DIMENSIONS

TT 14:	3.55LBS	16" X 11" X 5.5"
	1.6KGS	41cm X 28cm X 14cm
TT 21:	9.45LBS	23" X 16" X 8"
	4.3KGS	58cm X 41cm X 20cm
TT 27:	18.6LBS	29" X 21" X 12.5"
	8.4KGS	74cm X 53cm X 32cm

## NOTES

Custom requests can be considered on volume orders

# TUBE TOP COLORS

## DESCRIPTION

A minimalist statement in form and proportion, Tube Top combines a transparent formed acrylic base to support its elegant mesh fabric shade in tension, steering away from conventional modes of construction. Its lightweight shade appears to float freely, gently tethered by its fabric cable.

## FIXTURE TYPE

Table

## LIGHT SOURCE

TT C: (1) Frosted candelabra base 60W G16½ bulb: 672 lm  
(LED bulbs available upon request)

## LIGHT CONTROL

Full range dim (In-line rotary dimmer)

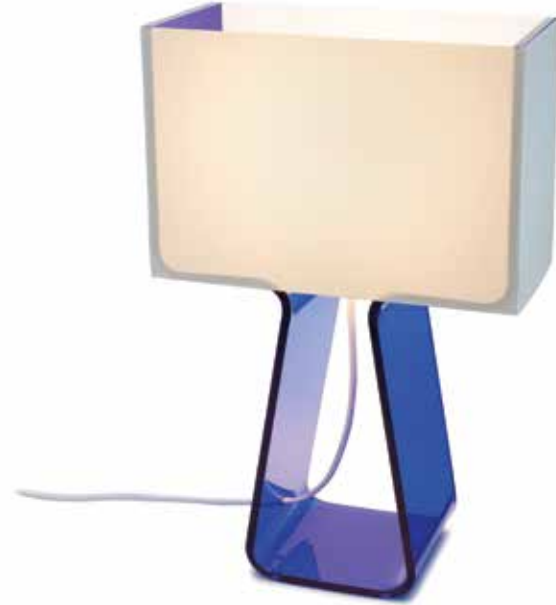
## FEATURES

Full-range dimmer

## SPECIFICATIONS

Voltage: 120V  
Cable length: 6' (182cm)

## CERTIFICATIONS



## FINISHES



WHITE/  
GREEN



WHITE/  
HOT PINK



WHITE/  
YELLOW



WHITE/  
SKY BLUE



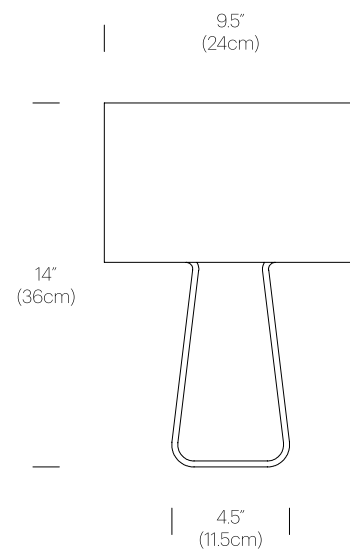
WHITE/  
COBALT



WHITE/  
RUBY RED

## DIMENSIONS

TUBE TOP COLOR



## PRODUCT CODES

Tube Top (Yellow):	TUBE 14 YEL
Tube Top (Bright Green):	TUBE 14 GRN
Tube Top (Ruby Red):	TUBE 14 RED
Tube Top (Hot Pink):	TUBE 14 PIN
Tube Top (Sky Blue):	TUBE 14 SKY
Tube Top (Cobalt Blue):	TUBE 14 BLU

## PACKAGING WEIGHT AND DIMENSIONS

TT 14:	3.55LBS	16" X 11" X 5.5"
	1.6KGS	41cm X 28cm X 14cm

## NOTES

Custom requests can be considered on volume orders



# TUBE TOP FLOOR

## DESCRIPTION

A minimalist statement in form and proportion, Tube Top combines a transparent formed acrylic base to support its elegant mesh fabric shade in tension, steering away from conventional modes of construction. Its lightweight shade appears to float freely, gently tethered by its fabric cable. Tube Top is available in multiple table and floor models.

## FIXTURE TYPE

Floor

## LIGHT SOURCE

TT 60: (2x) 2900K E26 base 72W BT15 bulbs: 2980lm  
(LED bulbs available upon request)

## LIGHT CONTROL

Full range dim (In-line slide dimmer)

## FEATURES

Full-range dimmer

## SPECIFICATIONS

Voltage: 120V

Cable length: 6' (182cm)

## CERTIFICATIONS



## FINISHES



WHITE/  
CLEAR



WHITE/  
CHARCOAL



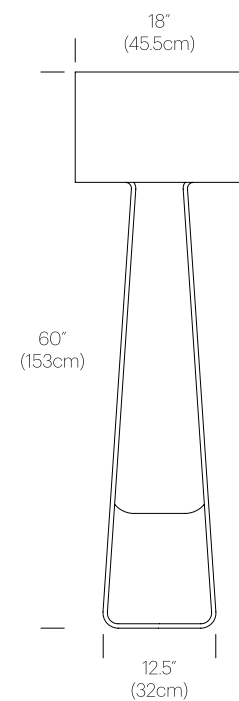
CHARCOAL/  
CHARCOAL



SILVER/  
CLEAR

## DIMENSIONS

TUBE TOP 60



## PRODUCT CODES

Tube Top 60 (Charcoal/Charcoal):	TUBE 60 CHR/CHR
Tube Top 60 (White/Char):	TUBE 60 WHT/CHR
Tube Top 60 (White/Clear):	TUBE 60 WHT/CLR
Tube Top 60 (Silver/Clear):	TUBE 60 GRY/CLR

## PACKAGING WEIGHT AND DIMENSIONS

TT 60:	47.25LBS	63" X 20" X 12"
	21.4KGS	160cm X 51cm X 30cm

## NOTES

Custom requests can be considered on volume orders





# UMA

The revolutionary UMA Sound Lantern redefines the portable lantern for the modern age. Fusing state-of-the-art Warm Dim LED technology with 360° high fidelity surround sound, UMA provides a one of a kind portable light + sound experience, integrated seamlessly into a strikingly elegant design. UMA pairs touch sensitive volume control with an intuitive full-range light control dial and features Bluetooth connectivity to stream the highest quality audio wirelessly from any mobile device. A premium leather strap allows for easy portability, and a protective jacket allows UMA to go anywhere you want to go. Invoking the primal symbol of the lantern and the warmth of a campfire, UMA is the perfect centerpiece for social gatherings and intimate moments indoor and out.

Designer:  
Carmine Deganello, Pablo Pardo + Pablo Studio 2015

Awards:  
[2016 AZURE Magazine People's Choice Award](#)  
[2016 Good Design Award Australia](#)  
[2017 German Design Award](#)  
[2017 Best Lighting, House Beautiful Magazine](#)



# UMA SOUND LANTERN

## DESCRIPTION

The revolutionary UMA Sound Lantern redefines the portable lantern for the modern age. Fusing state-of-the-art Warm Dim LED technology with 360° high fidelity surround sound, UMA provides a one of a kind portable light + sound experience, integrated seamlessly into a strikingly elegant design. Uma pairs touch sensitive volume control with an intuitive full-range light control dial and features Bluetooth connectivity to stream the highest quality audio wirelessly from any mobile device. A premium leather strap allows for easy portability, and a protective jacket allows UMA to go anywhere you want to go. Invoking the primal symbol of the lantern and the warmth of a campfire, UMA is the perfect centerpiece for social gatherings and intimate moments indoor and out.

## FIXTURE TYPE

Portable - rechargeable

## LIGHT SOURCE

(60x) High-output LED array

## LIGHT CONTROL

Warm-dim light control ring

## FEATURES

- Portable and rechargeable
- Full range dim control
- Rich 360 degree sound
- Bluetooth connectivity
- Warm dimming technology
- Optional surface mount available
- Damp rated for indoor and outdoor use

## SPECIFICATIONS

- Voltage: 120-240V 50-60Hz
- Power consumption: 4.5W (light) 12W MAX (speakers)
- Color temperature: 2000-2700K
- Luminosity: 190 Lumens MAX
- Luminaire efficacy: 42 Lumens/Watt
- Lithium ion battery: Up to 8 hours of use
- Charging time: Up to 3.5 hours
- Power cable length: 6' (183cm)
- IP50 damp rated
- Global multi-plug adapter available
- Patent number: D773,704

## CERTIFICATIONS

TUV, FCC, RoHS



## PRODUCT CODES

UMA SILVER/WHITE	UMA AL/TAN
------------------	------------

## PACKAGING WEIGHT AND DIMENSIONS

UMA:	3LBS	6" X 6" X 11"
	1.4KGS	16cm X 16cm X 15.4cm

## NOTES

Custom requests can be considered on volume orders



## FINISHES

### BASE AND TOP RING



SILVER

### LEATHER STRAP



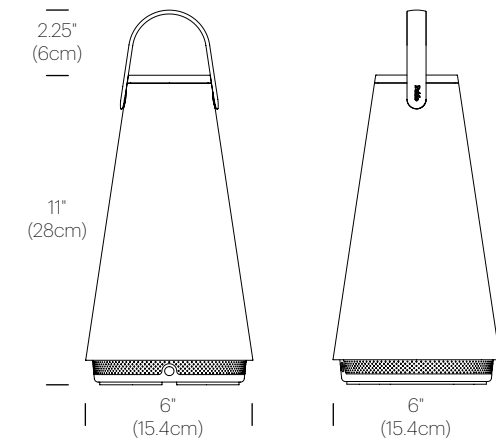
TAN

## DIMENSIONS

UMA

2.25"  
(6cm)

11"  
(28cm)







# UMA MINI

The revolutionary UMA Mini Sound Lantern redefines the portable lantern for the modern age. Fusing state-of-the-art Warm Dim LED technology with 360° high fidelity surround sound, UMA provides a one of a kind portable light + sound experience, integrated seamlessly into a strikingly elegant design. UMA Mini pairs touch sensitive volume control with an intuitive full-range light control dial and features Bluetooth connectivity to stream the highest quality audio wirelessly from any mobile device. Invoking the primal symbol of the lantern and the warmth of a campfire, UMA is the perfect centerpiece for social gatherings and intimate moments indoor and out.

Designer:  
Carmine Deganello, Pablo Pardo + Pablo Studio 2019

Awards:  
2016 AZURE Magazine People's Choice Award  
2016 Good Design Award Australia  
2017 German Design Award



# UMA MINI

## DESCRIPTION

Introducing UMA Mini, the newest addition to the UMA family, now more portable than ever to travel with you anywhere you go. The revolutionary UMA Mini lantern takes all its cues from its big sister UMA, fusing state-of-the-art LED technology with 360° high fidelity surround sound, while boasting a party mode feature that allows for pairing up to 24 units simultaneously via Bluetooth to create the perfect ambiance. UMA Mini also features touch sensitive volume control and 2 soft light level setting to set the perfect mood. Invoking the primal symbol of the lantern and the warmth of a campfire, UMA Mini is the perfect centerpiece for social gatherings at home, restaurant lounges, and any outdoor setting.

## FIXTURE TYPE

Portable - rechargeable

## LIGHT SOURCE

LED high-output chip on board

## LIGHT CONTROL

Dimmable  
2-stage dim control

## FEATURES

Portable + rechargeable  
2 stage dim control  
Rich 360° sound  
Bluetooth connectivity  
Party Mode up to 24 units  
20 hour battery life (light only)  
15 hour battery life (light & music)  
USB-C Rapid charging

## SPECIFICATIONS

Power Consumption: 4W (light) 8W MAX (speakers)  
Color temperature: 2000K  
Luminosity: 100 Lumens MAX  
Color Rendition Index: 90 CRI  
Battery life: Up to 20 hours  
3 hr charge time (using 10W power plug, not included)  
Power cable length: 6' (183cm)  
IP54 damp rated  
Patent pending

## CERTIFICATIONS



## PRODUCT CODES

Uma Mini	UMA MINI
----------	----------

## PACKAGING WEIGHT AND DIMENSIONS

UMA MINI:	2.5LBS	5.6" X 5.6" X 10"
	1KGS	14cm X 14cm X 25.5cm

## NOTES

Custom requests can be considered on volume orders

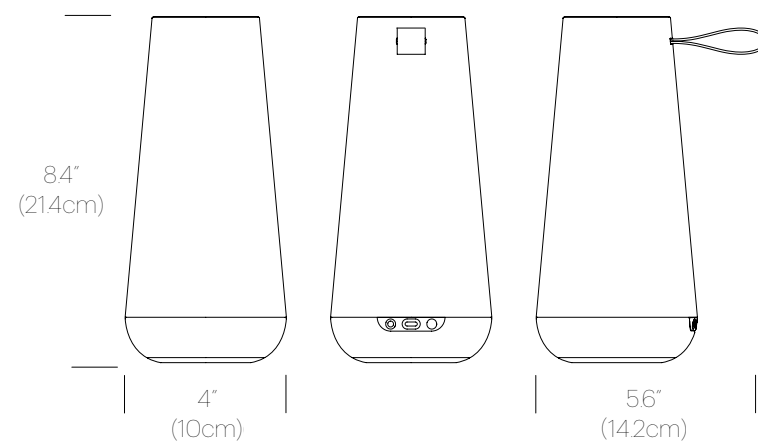


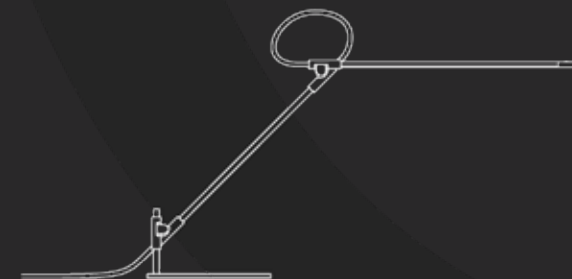
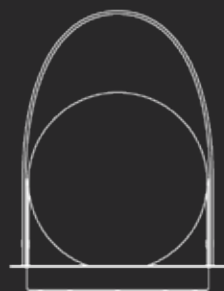
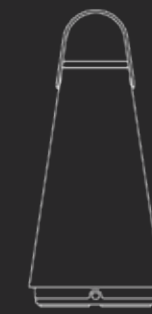
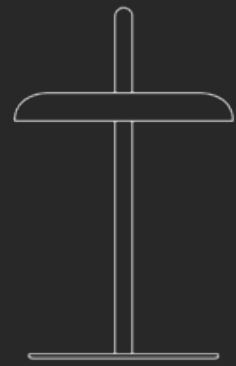
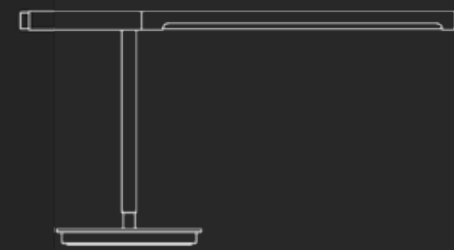
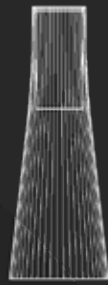
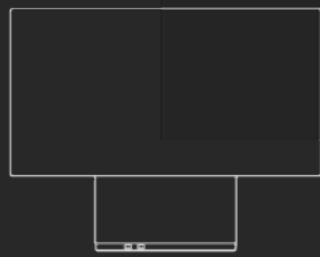
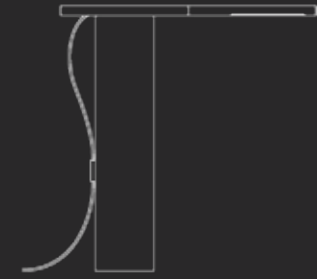
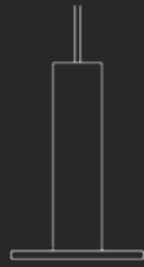
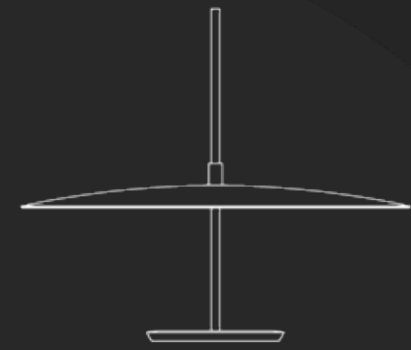
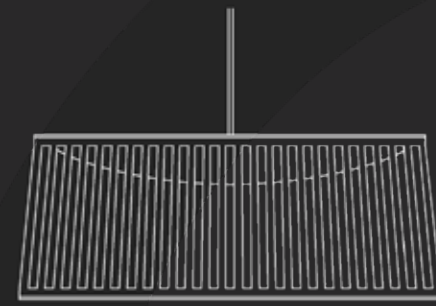
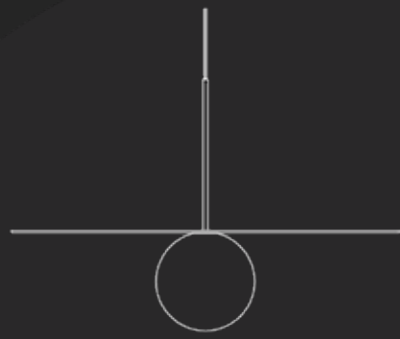
## FINISHES



## DIMENSIONS

UMA MINI





CELEBRATING  
30 YEARS OF  
ILLUMINATION  
**Pablo**



## GLOBAL AVAILABILITY

Belmont Floor  
Belmont Pendant  
Belmont Table

Bola Disc Flush  
Bola Disc Pendant

Bola Felt Pendant

Bola Halo Pendant

Bola Lantern

Bola Sphere Pendant

Bola Sphere Table

Brazo Floor  
Brazo Table

Cielo Plus  
Cielo XL

Candél

Carousel Floor  
Carousel Table

Circa Floor  
Circa Flush  
Circa Pendant  
Circa Table

Contour Floor  
Contour Table

Elise Marble 48  
Elise Marble 60  
Elise Marble 80

Giraffa

Lana Floor

Lana Table Mini  
Lana Table Small  
Lana Table Large

Lana Wall

Lim 360

Link Clamp

Link Table Small  
Link Table Medium

Luci Floor  
Luci Table

Nivél Floor  
Nivél Pedestal SM  
Nivél Pedestal LG  
Nivél Table

Nivél Flush  
Nivél Pendant

Pilar

Pixo Plus  
Pixo Wall

Sky Solo Pendant  
Sky Dome Metal Pendant  
Sky Dome Wood Pedant  
Sky Sound Pendant

Sky Dome Metal Flush  
Sky Dome Wood Flush

Solis 24 Pendant  
Solis 48 Pendant  
Solis 72 Pendant

Solis Drum 24 Pendant  
Solis Drum 36 Pendant

Solis Drum Flush 24  
Solis Drum Flush 36

Superlight Floor  
Superlight Table

Swell Single  
Swell String Single  
Swell String Mix

Swell XL Single  
Swell XL String Single  
Swell XL String Mix

Talia Floor  
Talia Table

T.O Floor  
T.O Table

T.O Pendant

Totem Flush  
Totem Pendant

Uma  
Uma Mini

---

## DISTRIBUTORS

# Pablo®

INFO@PABLODESIGNS.COM  
888 MARIN STREET  
SAN FRANCISCO, CA 94124  
USA T: +1 415 865 5000  
F: +1 415 865 0500  
PABLODESIGNS.COM

INFO@PABLODESIGNS.EU  
Netherlands +31 31 872 8107  
PABLODESIGNS.EU