

Catifa 46

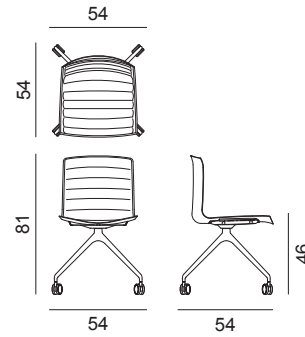
Design by Lievore Altherr Molina, 2013

Art. 0317

Chair with polished or powdercoated aluminium fixed trestle base, mounted on self-braking castors. The white polypropylene shell (PO101) is upholstered with a removable non-washable cover in leather, faux leather, fabric or customer's own material. The chair is provided already fitted with the cover. Steel armrests, also upholstered, are available upon request.



Dimensions *



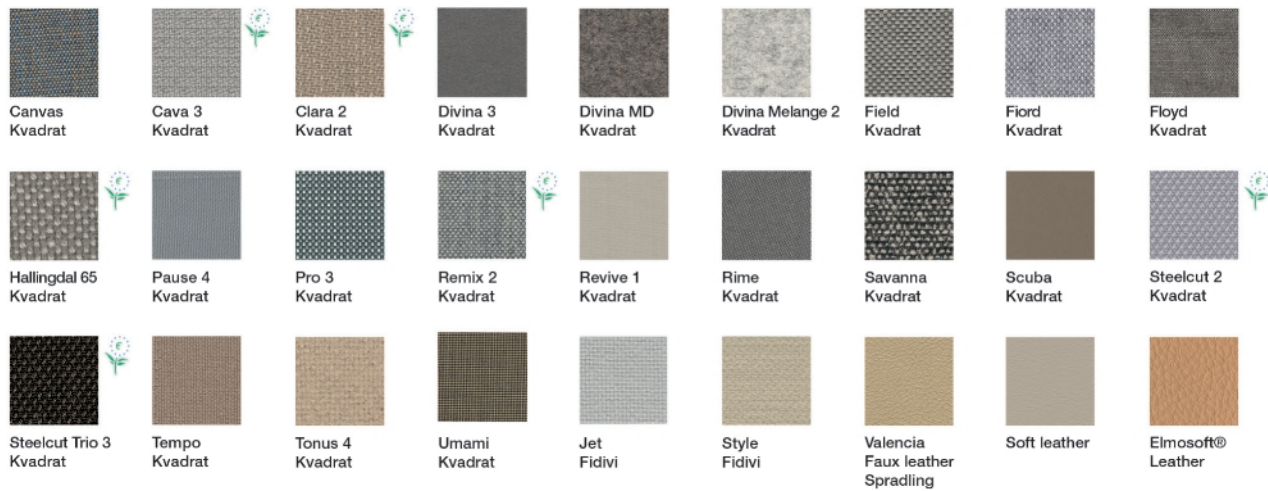
* File CAD 2D - 3D available for download at www.arper.com

Frame Base



Shell

Carded In



Graded In

kvadrat

camira



DESIGN
TEX



Gabriel



svensson

maharam

Serge Ferrari

Catifa 46

Design by Lievore Altherr Molina, 2013



Armrests BV



Armrests CI - only pad

SHIPMENT DETAILS

Art.0317

1 pz = 2 - kg 11,5/ m² 0,27

4 pz = 2 - kg 36,8/ m² 0,4

TECHNICAL SPECIFICATIONS

Art.0317

COL requirement m² 1,98

H 140 cm. COM Meterage ml 1,08

The cover stitching comes in the same color as the upholstery. Stitching on cover 1 and 3 comes in white or black, to customer's choice.

RESISTANCE TEST

- EN 1728:2000 - EN 15373:2007 6.2.1
- EN 1728:2000 - EN 15373:2007 6.7

- EN 1728:2000 - EN 15373:2007 6.2.2
- EN 1022:05

FIRE RETARDANT TEST

Classe 1IM Cava 3 Divina MD Divina Melange 2 Divina 3 Hallingdal 65 Pro 3 Soft leather Tonus 4 Faux leather Valencia • California TB117-2013 Cava 3 Clara Canvas Divina MD Divina Melange 2 Divina 3 Soft leather Elmosoft Field Hallingdal 65 Jet Jumper 3 Pro 3 Soft leather Remix 2 Savanna Steelcut 2 Scuba Steelcut Trio 2 Steelcut Trio 3 Sunniva Sunniva 2 Tonus 4 Tempo Faux leather Valencia • BS5852 Sch. 4 Part 1 Cava 3 Divina MD Divina Melange 2 Divina 3 Soft leather Elmosoft Hallingdal 65 Pro 3 Tonus 4 Faux leather Valencia • BS5852 Sch. 5 Part 1 Cava 3 Clara Canvas Divina MD Divina Melange 2 Divina 3 Soft leather Elmosoft Hallingdal 65 Soft leather Remix 2 Savanna Steelcut 2 Steelcut Trio 2 Steelcut Trio 3 Tonus 4 Faux leather Valencia • EN 1021 - 1 Divina MD Divina Melange 2 Divina 3 Soft leather Elmosoft Field Hallingdal 65 Pro 3 Soft leather • EN 1021 - 2 Divina MD Divina Melange 2 Divina 3 Soft leather Elmosoft Field Hallingdal 65 Pro 3 Soft leather

ENVIRONMENTAL CERTIFICATIONS



arper

F +39 0422 791800

T +39 0422 7918

www.arper.com

Catifa 46

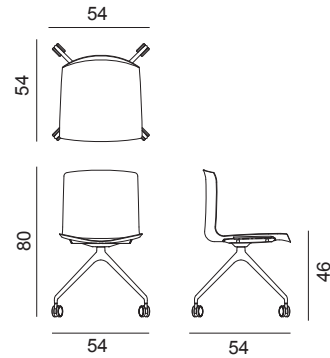
Design by Lievore Altherr Molina, 2012

Art. 0290

Chair with polished or powdercoated aluminium fixed trestle, mounted on self-braking castors. Polypropylene shell with cushion upholstered in fabric, leather, faux leather or customer's own material applied to the seat surface. Steel armrests, also upholstered, are available upon request.

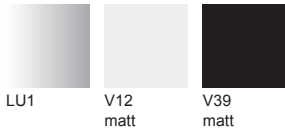


Dimensions *



* File CAD 2D - 3D available for download at www.arper.com

Frame Base



Shell

Polypropylene



PO Polypropylene two colors
PO Polypropylene one color

Carded In



Graded In

kvadrat

camira



DESIGN
TEX



Gabriel



svensson

maharam

Serge Ferrari

Catifa 46

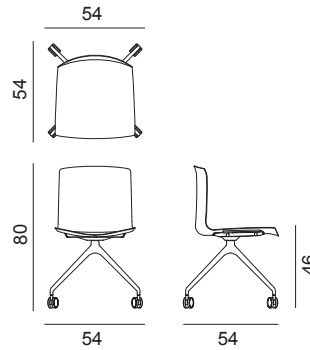
Design by Lievore Altherr Molina, 2014

Art. 0333

Chair with polished or powdercoated aluminium fixed trestle, mounted on self-braking castors. Wood shell with front upholstery in leather, faux leather, fabric or customer's own material. Steel armrests, also upholstered, are available upon request.



Dimensions *



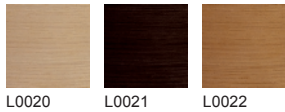
* File CAD 2D - 3D available for download at www.arper.com

Frame Base

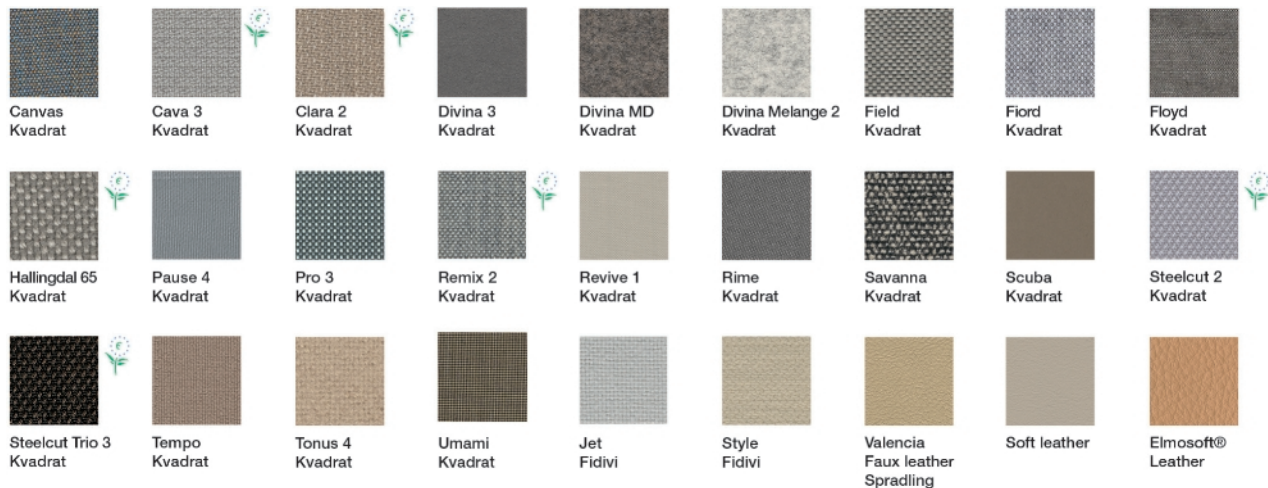


Shell

Wood



Carded In



Graded In

kvadrat

camira



DESIGN
TEX



Gabriel



svensson

maharam

Serge Ferrari

Catifa 46

Design by Lievore Altherr Molina, 2014



Armrests BV




Armrests CI - only pad

SHIPMENT DETAILS

Art.0333

1 pz = 2  - kg 12,9/ m² 0,28

4 pz = 2  - kg 38,24/ m² 0,4

TECHNICAL SPECIFICATIONS

Art.0333

COL requirement m² 0.84

H 140 cm. COM Meterage ml 0.65

RESISTANCE TEST

FIRE RETARDANT TEST

BS5852 Sch. 4 Part 1 Faux leather Valencia

ENVIRONMENTAL CERTIFICATIONS

arper

F +39 0422 791800

T +39 0422 7918

www.arper.com

Catifa 46

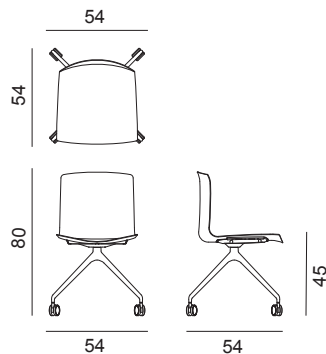
Design by Lievore Altherr Molina, 2004

Art. 0369

Chair with polished or powdercoated aluminium fixed trestle base, mounted on self-braking castors. The shell is available in single-colour polypropylene, bi colour polypropylene or upholstered in hard leather grade 1 (CT) or hard leather grade 2 (CU). Polypropylene and steel armrests, are available upon request.

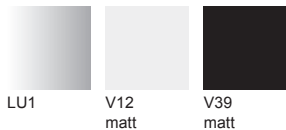


Dimensions *



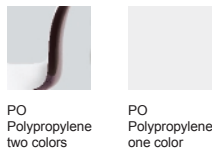
* File CAD 2D - 3D available for download at www.arper.com

Frame Base

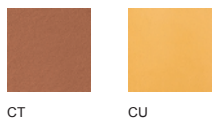


Shell

Polypropylene



Hard leather Grade 1 and Grade 2



arper

F +39 0422 791800

T +39 0422 7918

www.arper.com

Catifa 46

Design by Lievore Altherr Molina, 2004

Accessories:



Cushion Art. 0261




Armrests BV




Armrests CV - pad (only for PO)

SHIPMENT DETAILS

Art.0369

1 pz = 2  - kg 10,2/ m² 0,25

4 pz = 2  - kg 30,8/ m² 0,34

RESISTANCE TEST

- EN 1728:2000 - EN 15373:2007 6.2.1
- EN 1728:2000 - EN 15373:2007 6.7
- TUV GS (EN16139)

- EN 1728:2000 - EN 15373:2007 6.2.2
- EN 1022:05

TECHNICAL SPECIFICATIONS

FIRE RETARDANT TEST

BS5852/90 Sez.5 cigarette match polypropylene • Classe 1 polypropylene • EN 1021 -1/2 polypropylene • M2 polypropylene • California TB133 polypropylene • BS5852 Sch. 5 Part 1 CT CU

ENVIRONMENTAL CERTIFICATIONS



arper

F +39 0422 791800

T +39 0422 7918

www.arper.com

Catifa 46

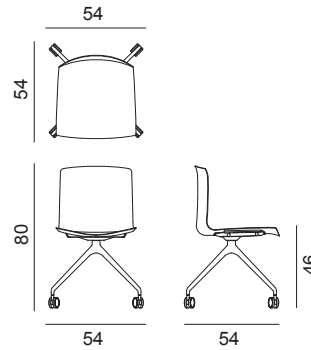
Design by Lievore Altherr Molina, 2004

Art. 0372

Chair with polished or powdercoated aluminium fixed trestle, mounted on self-braking castors. Polypropylene shell with front upholstery in leather, faux leather, fabric or customer's own material. Steel armrests, also upholstered, are available upon request.



Dimensions *



* File CAD 2D - 3D available for download at www.arper.com

Frame Base



Shell

Polypropylene



PO
Polypropylene
one color

Carded In



Graded In

kvadrat

camira



DESIGN
TEX



Gabriel



svensson

maharam

Serge Ferrari

Catifa 46

Design by Lievore Altherr Molina, 2004




Armrests BV




Armrests CI - only pad

SHIPMENT DETAILS

Art.0372

1 pz = 2  - kg 12,9/ m² 0,28

4 pz = 2  - kg 38,24/ m² 0,4

RESISTANCE TEST

- EN 1728:2000 - EN 15373:2007 6.2.1
- EN 1728:2000 - EN 15373:2007 6.7
- TUV GS (EN16139)
- EN 1728:2000 - EN 15373:2007 6.2.2
- EN 1022:05

TECHNICAL SPECIFICATIONS

Art.0372

COL requirement m² 0.84

H 140 cm. COM Meterage ml 0.65

FIRE RETARDANT TEST

Classe 1M Cava 3 Divina MD Divina Melange 2 Divina 3 Hallingdal 65 Pro 3 Soft leather Tonus 4 Faux leather Valencia • California TB117-2013 Cava 3 Clara Canvas Divina MD Divina Melange 2 Divina 3 Soft leather Elmosoft Field Hallingdal 65 Jet Jumper 3 Pro 3 Soft leather Remix 2 Savanna Steelcut 2 Scuba Steelcut Trio 2 Steelcut Trio 3 Sunniva Sunniva 2 Tonus 4 Tempo Faux leather Valencia • BS5852 Sch. 4 Part 1 Cava 3 Divina MD Divina Melange 2 Divina 3 Soft leather Elmosoft Hallingdal 65 Pro 3 Tonus 4 Faux leather Valencia • BS5852 Sch. 5 Part 1 Cava 3 Clara Canvas Divina MD Divina Melange 2 Divina 3 Soft leather Elmosoft Hallingdal 65 Soft leather Remix 2 Savanna Steelcut 2 Steelcut Trio 2 Steelcut Trio 3 Tonus 4 Faux leather Valencia • EN 1021 - 1 Divina MD Divina Melange 2 Divina 3 Soft leather Elmosoft Field Hallingdal 65 Pro 3 Soft leather • EN 1021 - 2 Divina MD Divina Melange 2 Divina 3 Soft leather Elmosoft Field Hallingdal 65 Pro 3 Soft leather

ENVIRONMENTAL CERTIFICATIONS



arper

F +39 0422 791800

T +39 0422 7918

www.arper.com

Catifa 46

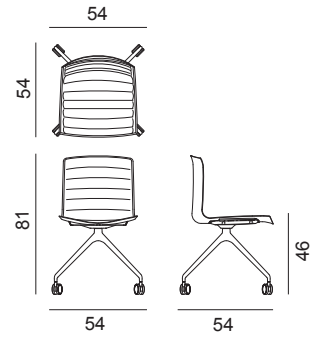
Design by Lievore Altherr Molina, 2004

Art. 0376

Chair with polished or powdercoated aluminium fixed trestle base, mounted on self-braking castors. The shell is upholstered in leather, faux leather, fabric or customer's own material. Steel armrests, also upholstered, are available upon request.



Dimensions *



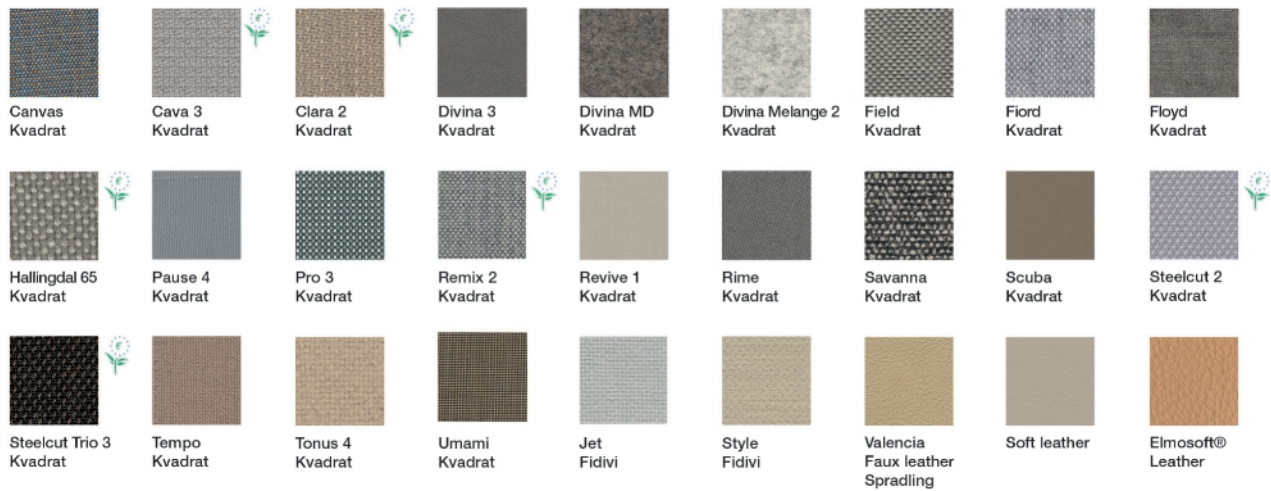
* File CAD 2D - 3D available for download at www.arper.com

Frame Base



Shell

Carded In



Graded In

kvadrat

camira



DESIGN
TEX



Gabriel



svensson

maharam

SergeFerrari

Catifa 46

Design by Lievore Altherr Molina, 2004



Armrests BV



Armrests CI - only pad

SHIPMENT DETAILS

Art.0376

1 pz = 2 - kg 11,5/ m³ 0,27

4 pz = 2 - kg 36,8/ m³ 0,4

TECHNICAL SPECIFICATIONS

Art.0376

COL requirement m² 1.67

H 140 cm. COM Meterage ml 1.1

Line stitching

RESISTANCE TEST

- EN 1728:2000 - EN 15373:2007 6.2.1
- EN 1728:2000 - EN 15373:2007 6.7
- TUV GS (EN16139)

- EN 1728:2000 - EN 15373:2007 6.2.2
- EN 1022:05

FIRE RETARDANT TEST

Classe 1M Cava 3 Divina MD Divina Melange 2 Divina 3 Hallingdal 65 Pro 3 Soft leather Tonus 4 Faux leather Valencia • California TB117-2013 Cava 3 Clara Canvas Divina MD Divina Melange 2 Divina 3 Soft leather Elmosoft Field Hallingdal 65 Jet Jumper 3 Pro 3 Soft leather Remix 2 Savanna Steelcut 2 Scuba Steelcut Trio 2 Steelcut Trio 3 Sunniva Sunniva 2 Tonus 4 Tempo Faux leather Valencia • BS5852 Sch. 4 Part 1 Cava 3 Divina MD Divina Melange 2 Divina 3 Soft leather Elmosoft Hallingdal 65 Pro 3 Tonus 4 Faux leather Valencia • BS5852 Sch. 5 Part 1 Cava 3 Clara Canvas Divina MD Divina Melange 2 Divina 3 Soft leather Elmosoft Hallingdal 65 Soft leather Remix 2 Savanna Steelcut 2 Steelcut Trio 2 Steelcut Trio 3 Tonus 4 Faux leather Valencia • EN 1021 - 1 Divina MD Divina Melange 2 Divina 3 Soft leather Elmosoft Field Hallingdal 65 Pro 3 Soft leather • EN 1021 - 2 Divina MD Divina Melange 2 Divina 3 Soft leather Elmosoft Field Hallingdal 65 Pro 3 Soft leather

ENVIRONMENTAL CERTIFICATIONS



arper

F +39 0422 791800

T +39 0422 7918

www.arper.com

Catifa 46

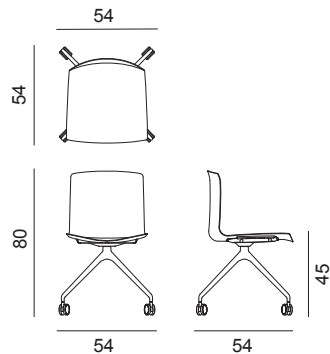
Design by Lievore Altherr Molina, 2004

Art. 0386

Chair with polished or powdercoated aluminium fixed trestle base, mounted on self-braking castors. The wood shell is available in three colours (natural oak, bleached oak or wengé). Steel armrests are available upon request.

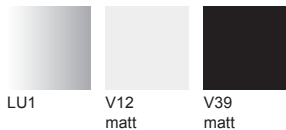


Dimensions *



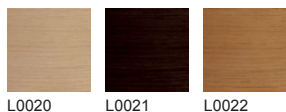
* File CAD 2D - 3D available for download at www.arper.com

Frame Base



Shell

Wood



arper

F +39 0422 791800

T +39 0422 7918

www.arper.com

Catifa 46

Design by Lievore Altherr Molina, 2004

Accessories:




Cushion Art. 0261




Armrests BV

SHIPMENT DETAILS

Art.0386

1 pz = 2  - kg 9,68/ m² 0,25

4 pz = 2  - kg 28,7/ m² 0,35

RESISTANCE TEST

• EN 1728:2000 - EN 15373:2007 6.7

• TUV GS (EN16139)

TECHNICAL SPECIFICATIONS

FIRE RETARDANT TEST

BS5852/90 Sez.5 cigarette match LG • Classe 1 LG

ENVIRONMENTAL CERTIFICATIONS



arper

F +39 0422 791800

T +39 0422 7918

www.arper.com