



BuzziShade 220-240V

Product Specification Sheet

This document contains technical information about the BuzziShade Pendant and Standing












www.buzzi.space

The BuzziShade combines lit surroundings with acoustic performance.

The design prevents eavesdroppers from hearing your private conversations, and reduces external noise levels to a minimum. The BuzziShade is extremely versatile. The perfect addition to any office, waiting room or restaurant and is ideal for large-scale events. Be creative in colour by adding a layer of fabric to the BuzziFelt shades. The BuzziShade is the culmination of an artistic collaboration between BuzziSpace and the four young Belgian furniture designers of Stal Collectief.

Designed by Stal Collectief

General

-  Pendant
-  BuzziFelt cover
-  Powder coated metal frame
-  Fabric power cord
-  Input Voltage: 220 - 240V
-  Input Frequency: 50/60Hz
-  Class: 1
-  Dry usage
-  Assembled

Acoustics



Absorption



Mid Tones



High Tones

Content

Configurations	3
Technical components	5
Fabrics	8
Dimensions	10
Acoustics	15

Configurations

BuzziShade Pendant

◆ Medium | Large

BuzziFelt cover with lace
Metal frame in black (RAL 9005), white (RAL 9010),
uncoated aluminium or fluorescent orange
(RAL 2005)
Fabric power cord in black, red or fluorescent orange

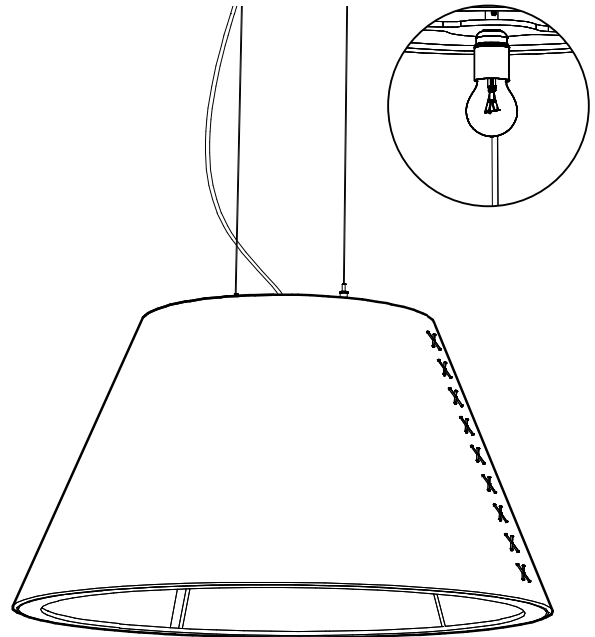
✂ Height: 42 cm (Medium) or 62 cm (Large)
✂ Diameter: Ø 40 cm - Ø 74 cm (Medium)
Ø 59 cm - Ø 112 cm (Large)

💡 E27 Fitting (Max. 60W)
Excl. Bulb

⚖ Medium: 4 kg
Large: 8 kg

⋮ Lace: black | white | fluorescent orange
Optional extra layer Fabric
inside or outside
Black or alu cables 2 - 5 m

⚠ If installing on suspended ceiling, verify load capacity
prior to installation.



BuzziShade Pendant LED

◆ Medium | Large

BuzziFelt cover with lace
Metal frame in black (RAL 9005), white (RAL 9010),
uncoated aluminium or fluorescent orange
(RAL 2005)
Fabric power cord in black

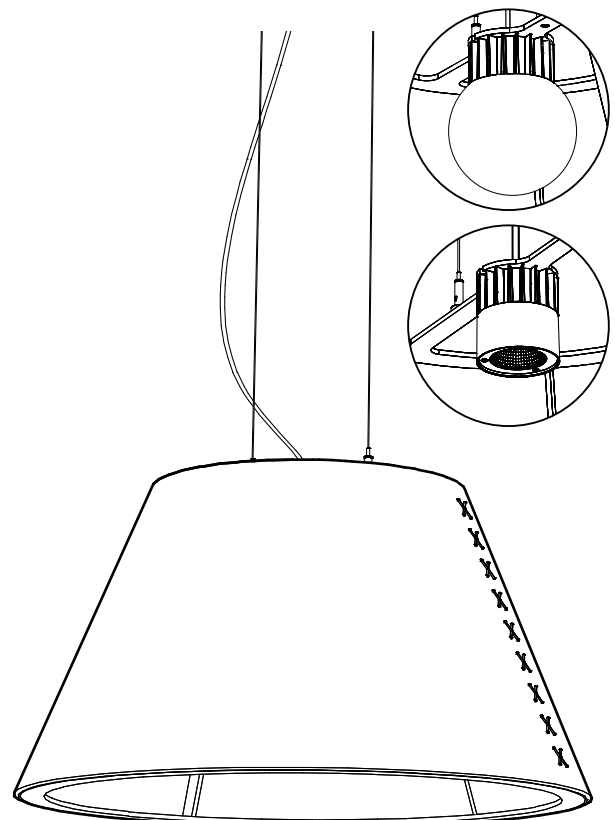
✂ Height: 42 cm (Medium) or 62 cm (Large)
✂ Diameter: Ø 40 cm - Ø 74 cm (Medium)
Ø 59 cm - Ø 112 cm (Large)

💡 Wattage: 32W
Lumen Output: 1500 lumen (LED light source)
Color Temperature: 3000K
Color Rendering Index: 90
Dimmable: 1-10V Protocol (DALI on request)

⚖ Medium: 6 kg
Large: 10 kg

⋮ Diffusor: frosted glass globe or 38° reflector spot
Lace: black | white | fluorescent orange
Optional extra layer Fabric
inside or outside
Black or alu cables 2 - 5 m

⚠ If installing on suspended ceiling, verify load capacity
prior to installation



Technical components

BuzziShade Pendant

Ceiling canopy

Powder coated metal canopy in black (RAL 9005) or white (RAL 2010)
Including mounting bracket

Height: 2,6 cm
Diameter: 12 cm



Frame

Metal frame available in following colors:

Powder coated white	RAL 9010
Powder coated black	RAL 9005
Fluorescent orange	RAL 2005
Alu	not powder coated



Technical components

BuzziSol LED Pendant

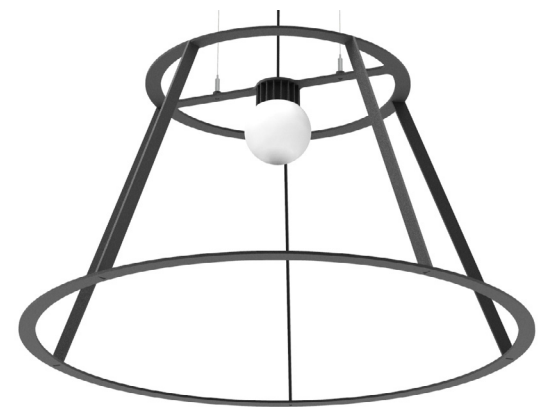
Ceiling canopy



Powder coated metal canopy in black (RAL 9005)
Including mounting bracket

Width: 12,5 cm
Length: 25 cm
Height: 4 cm

Frame



Metal frame available in following colors:

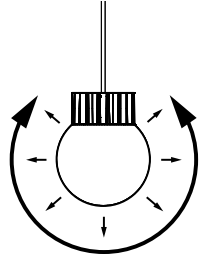
Powder coated white		RAL 9010
Powder coated black		RAL 9005
Fluorescent orange		RAL 2005
Alu		not powder coated

Heat sink



The light element consists out of a black powder coated metal heat sink fitted with a C.O.B. LED source.

Globe



170°

The BuzziSol Globe is finished with a frosted glass globe, to create a decorative light effect 170° around enlightening the inside of the BuzziShade.

Specification overview

Standard: 3000K | 1-10V DIM

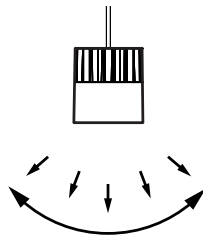
On request: 3000K | DALI DIM

Globe (incl. heat sink)

Height: 20 cm

Width: Ø 15 cm

Spot



38°

The BuzziSol Spot is finished with a 38° reflector to direct the light towards the surface.

Specification overview

Standard: 3000K | 1-10V DIM

On request: 3000K | DALI DIM

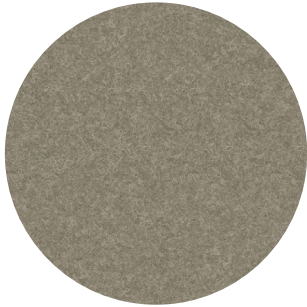
Spot (incl. heat sink)

Height: 11 cm

Width: Ø 10 cm

Fabrics

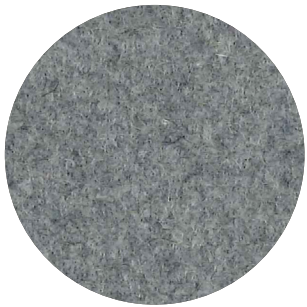
Felt



Composition 100% Recycled P.E.T. Felt, latex backing
Weight 1.000 g/m² | 29.49 oz/yd²
Abrasion resistance >7.000 Martindale
Flammability EU: EN 13501.1 + A1/2009 Class B-s1,d0
USA: ASTM E84 Class A certified
Fastness to light USA 5



Fabric



Category A
Composition 70% Recycled Wool, 25% Recycled Polyacryl,
5% Recycled Other Fabrics
Weight 405 g/m² | 11.94 oz/yd²
Abrasion resistance 40.000 Martindale, 50,000 Wyzenbeek
Flammability EU: EN 1021.1/2006 | BS EN 1021.1/2006 (cigarette).
EN 1021.2/2006 | BS EN 1021.2/2006 (match)
USA: CAL TB 117 | ASTM E84 CLASS A
Fastness to light EU 4 | USA 4
Fastness to rubbing EU: Wet 3-4 | Dry 4-5
Fastness to crocking USA: Wet 5 | Dry 5



Lace

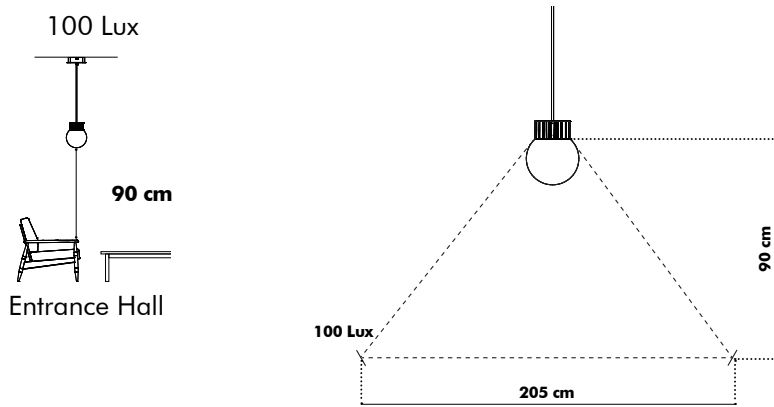
Lace black | white | fluorescent orange



Photometric Data

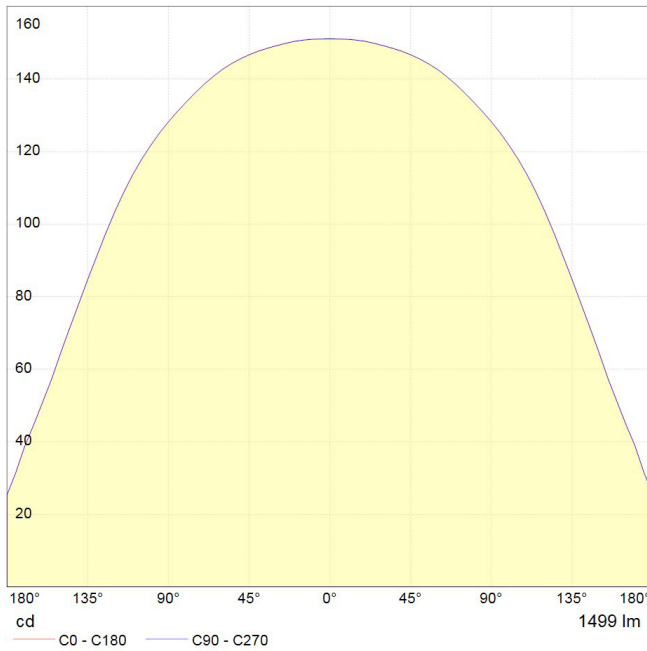
BuzziShade LED Globe

To enlight your room with a lux level of 100 lux take following measures into account.

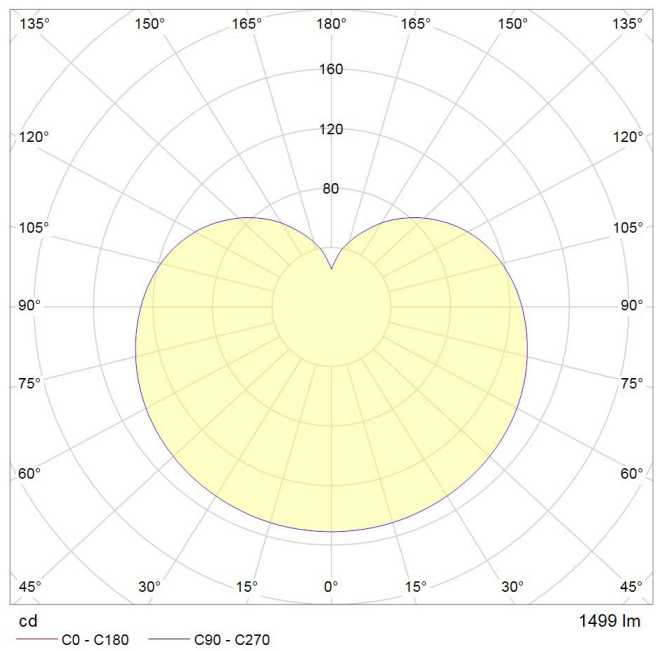


* According to EN12464

Globe Cartesian diagram

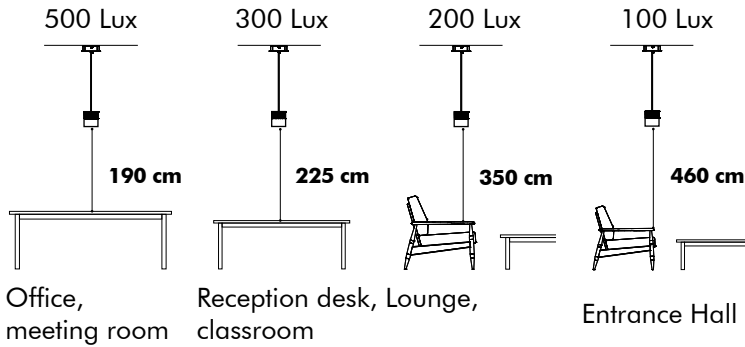


Globe Polar curve

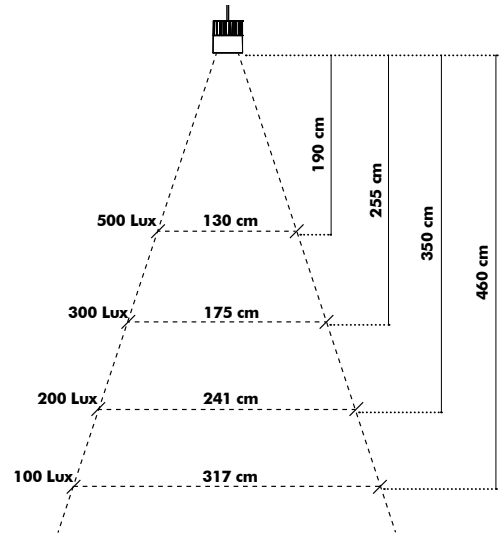


BuzziShade LED Spot

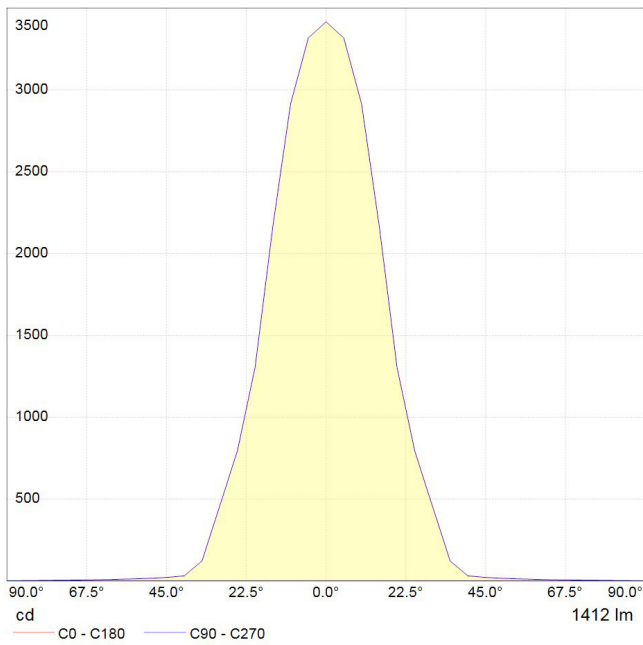
To enlight your workplace or room with optimal lux levels take following measures into account.



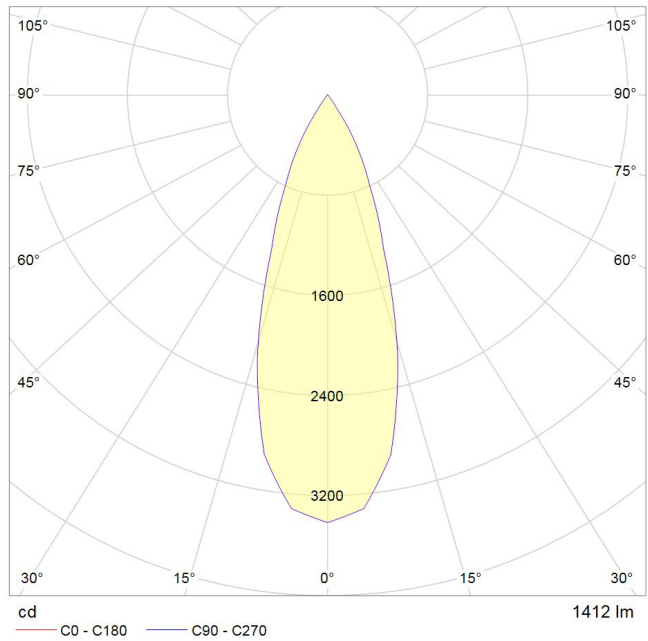
* According to EN12464



Globe Cartesian diagram

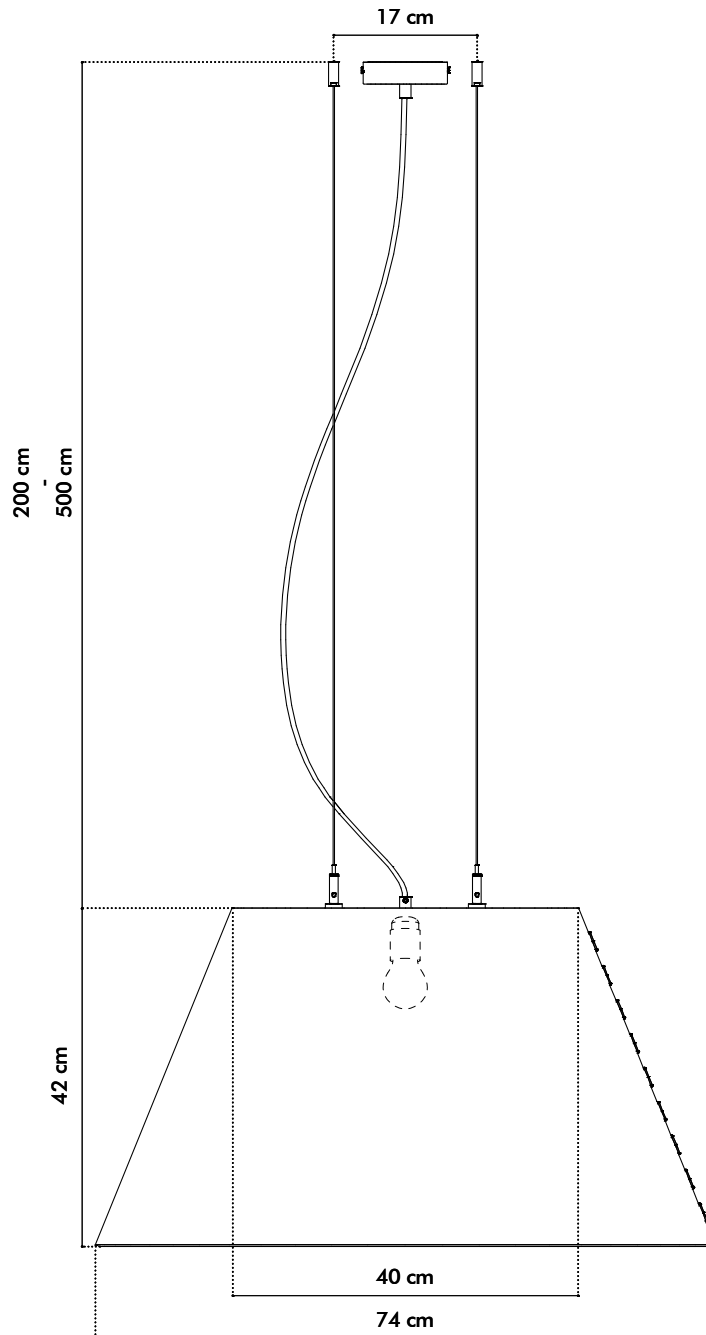


Globe Polar curve

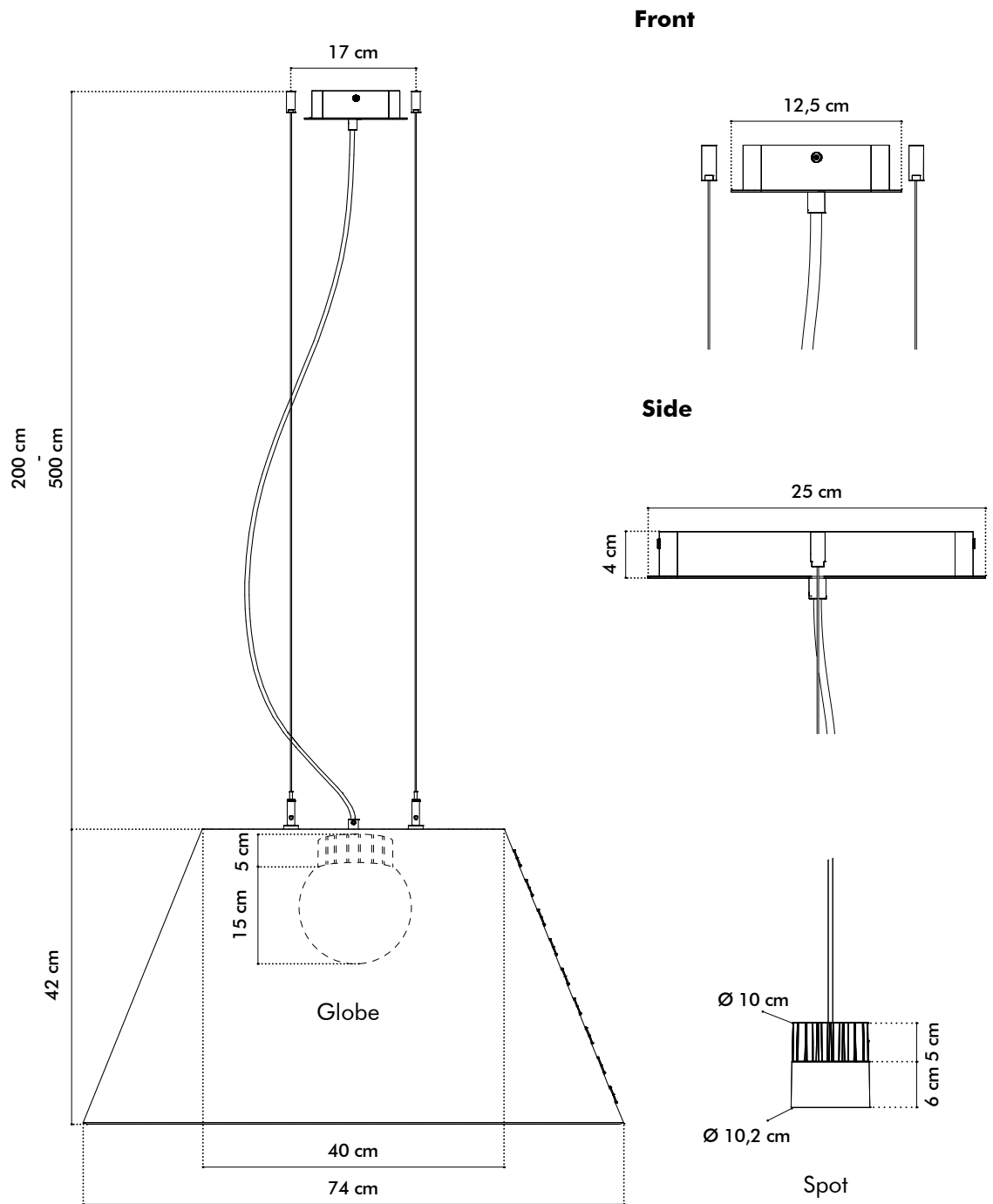


Dimensions

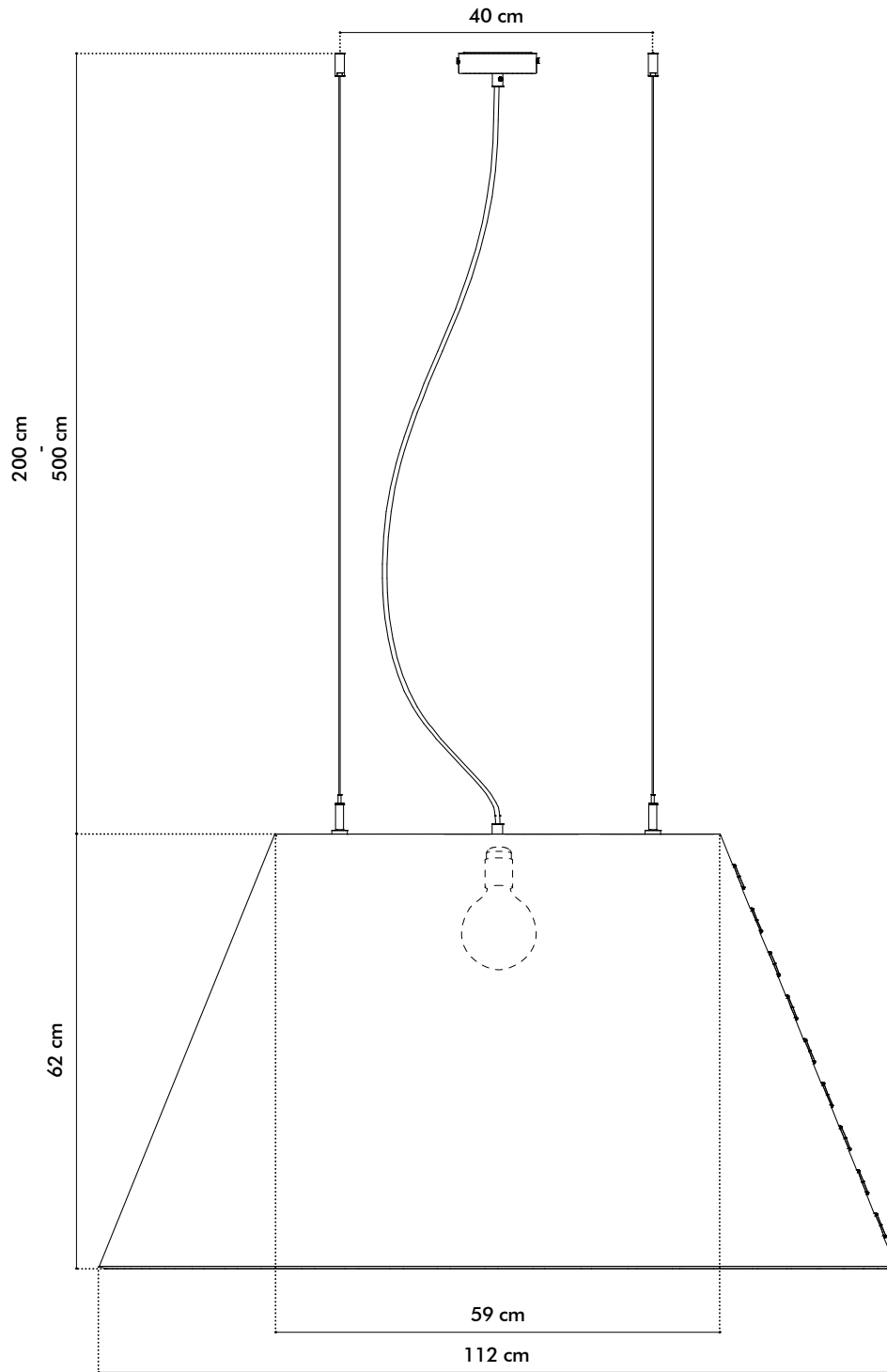
BuzziShade Pendant Medium



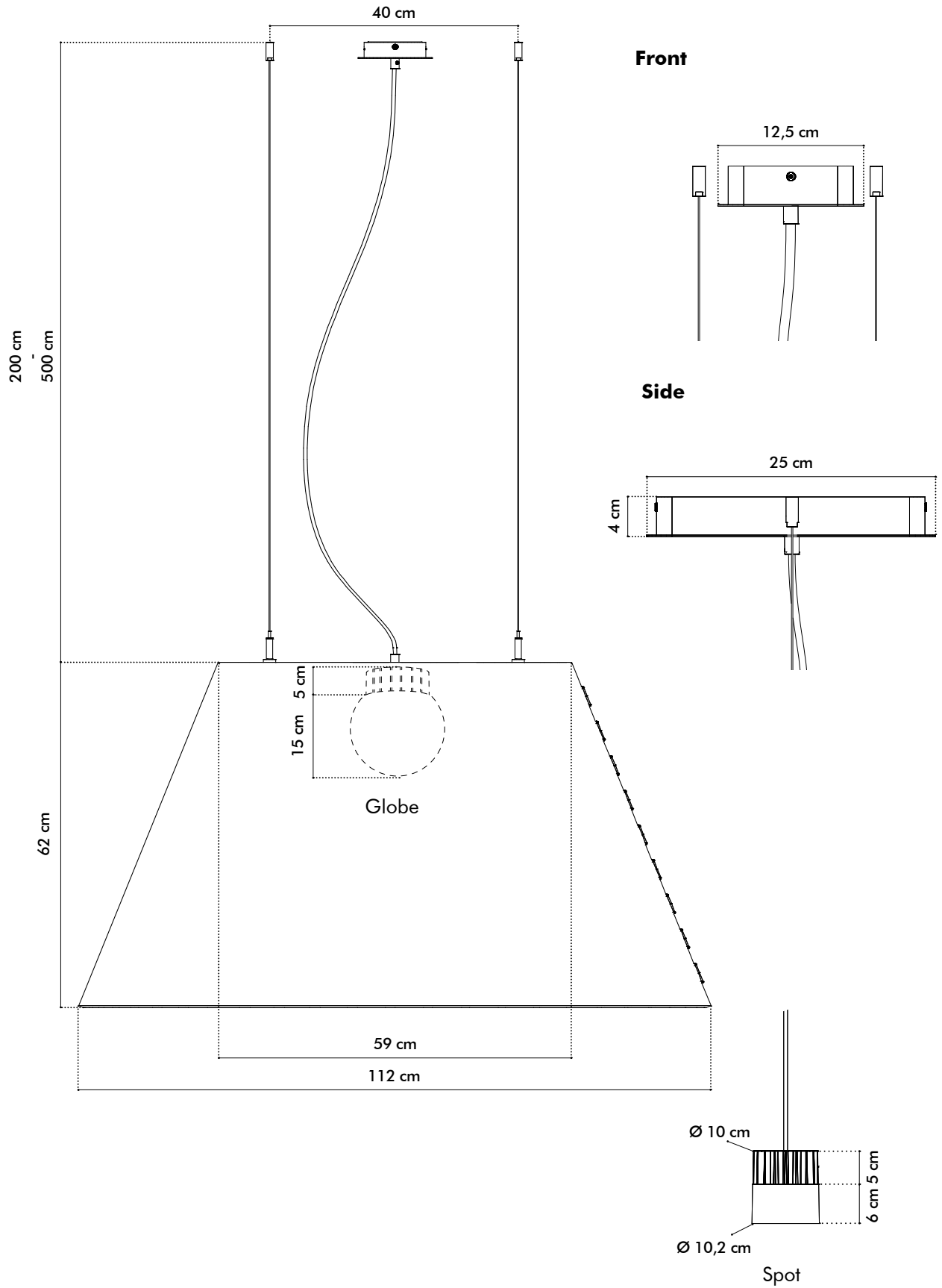
BuzziShade Pendant LED Medium



BuzziShade Pendant Large



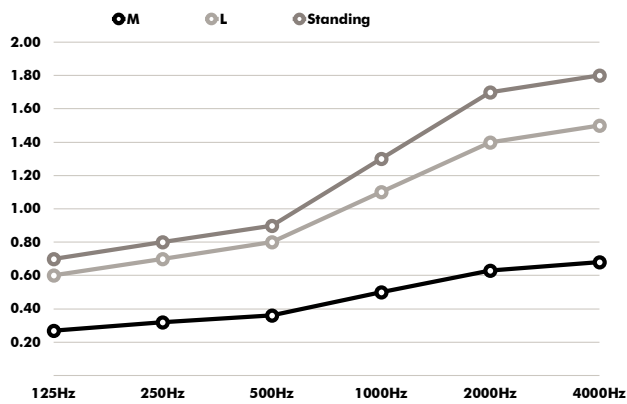
BuzziShade Pendant LED Large



Acoustics

BuzziShade

Equivalent sound absorption area in m² per object



Hz	Shade M Aeq/m ²	Shade L Aeq/m ²	Shade Standing Aeq/m ²
125	0.27	0.60	0.70
250	0.32	0.70	0.80
500	0.36	0.80	0.90
1000	0.50	1.10	1.30
2000	0.63	1.40	1.70
4000	0.68	1.50	1.80