

Catifa 46

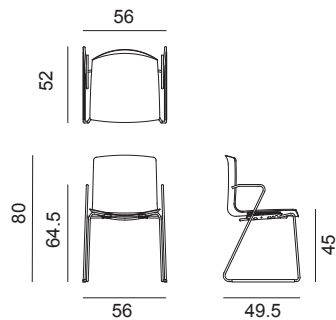
Design by Lievore Altherr Molina, 2004

Art. 0287

Chair with chromed steel sled base fitted with armrests. The shell is available in single-colour polypropylene, bi-colour polypropylene or covered in hard leather without padding. Optional glides with felt for wooden floors are available upon request.



Dimensions *



* File CAD 2D - 3D available for download at www.arper.com

Frame Base



CRO

Shell

Polypropylene



PO00204

PO00205

PO00209

PO00212

PO00213

PO00214

PO00215

PO00216

PO00217

PO00218

Hard leather Grade 1 and Grade 2



CT



CU

arper

info@arper.com

www.arper.com

Catifa 46

Design by Lievore Altherr Molina, 2004

Accessories:



Link Art. 0258



Stacking protection pad with link Art. 0260



Cushion Art. 0261



Stacking protection pad Art. 0262



Writing tablet Art. 0264





Stacking protection glide Art. 0286



Trolley Art. 0760

SHIPMENT DETAILS

Art.0287

1 pz = 2  - kg 10,62/ m² 0,297
4 pz = 2  - kg 35,7/ m² 0,392

RESISTANCE TEST

- EN 1728:2000 - EN 15373:2007 6.12
- EN 1728:2000 - EN 15373:2007 6.17
- EN 1728:2000 - EN 15373:2007 6.2.2
- EN 1728:2000 - EN 15373:2007 6.7
- EN 1022:05
- EN 1728:2000 - EN 15373:2007 6.15
- EN 1728:2000 - EN 15373:2007 6.2.1
- EN 1728:2000 - EN 15373:2007 6.6
- EN 1728:2000 - EN 15373:2007 6.8
- TUV GS (EN16139)

ENVIRONMENTAL CERTIFICATIONS



- without tools up to 10 units
- with trolley up to 20 units
- CT: with stacking pad, without tools up to 5 units
- CT: with stacking pad, with trolley up to 5 units
- CT with link: with stacking pad, without tools up to 5 units
- CT with link: with stacking pad, with trolley up to 5 units

- with tablet: without tools up to 5 units
- with tablet: with trolley up to 8 units

TECHNICAL SPECIFICATIONS

Art.0287

*Classe 1, 2, 1IM: fire retardant version available with surcharge and eventual minimum batch

FIRE RETARDANT TEST

arper

www.arper.com
info@arper.com

Catifa 46

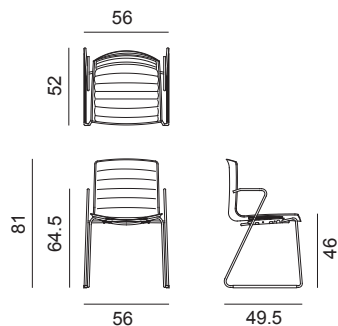
Design by Lievore Altherr Molina, 2004

Art. 0289

Chair with chromed steel sled base and shell upholstered in leather, coated fabric, fabric or customer's own material. Line detail stitching. Optional glides with felt for wooden floors are available upon request.



Dimensions *



* File CAD 2D - 3D available for download at www.arper.com

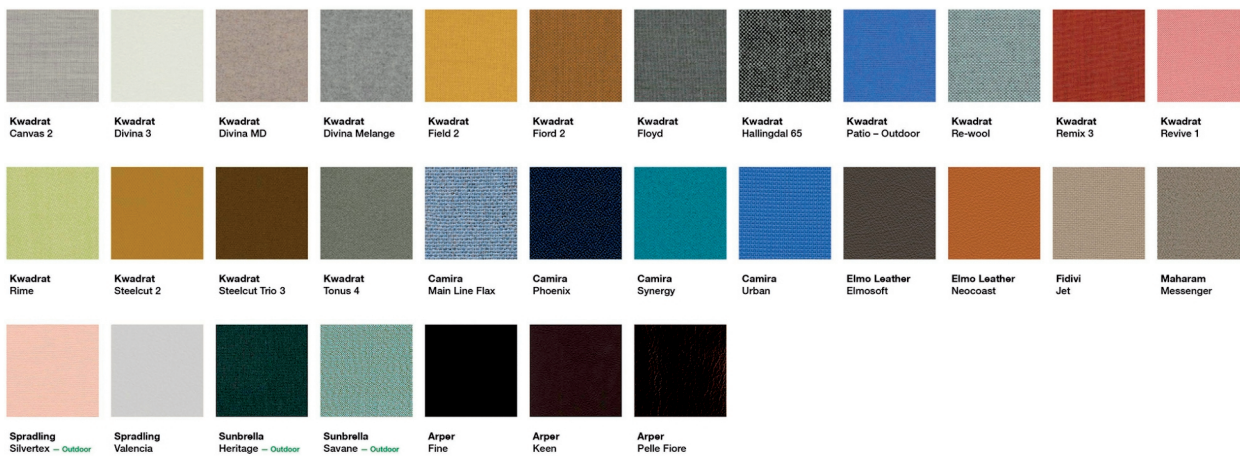
Frame Base



CRO

Shell

Carded In



Graded In

kvadrat

camira

Gabriel®

arper

info@arper.com

www.arper.com

Catifa 46

Design by Lievore Altherr Molina, 2004

Accessories:



Link Art. 0258



Writing tablet Art. 0264



Stacking protection pad with link Art. 0277




Stacking protection pad Art. 0499




Trolley Art. 0760

SHIPMENT DETAILS

Art.0289

1 pz = 2  - kg 11,92/ m² 0,319

4 pz = 2  - kg 41,7/ m² 0,448

TECHNICAL SPECIFICATIONS

Art.0289

COL requirement m² 1.67

H 140 cm. COM Meterage m 1.1

*Classe 1, 2, 1IM: fire retardant version available with surcharge and eventual minimum batch

RESISTANCE TEST

- EN 1728:2000 - EN 15373:2007 6.12
- EN 1728:2000 - EN 15373:2007 6.17
- EN 1728:2000 - EN 15373:2007 6.2.2
- EN 1728:2000 - EN 15373:2007 6.7
- EN 1022:05
- EN 1728:2000 - EN 15373:2007 6.15
- EN 1728:2000 - EN 15373:2007 6.2.1
- EN 1728:2000 - EN 15373:2007 6.6
- EN 1728:2000 - EN 15373:2007 6.8
- TUV GS (EN16139)

FIRE RETARDANT TEST

ENVIRONMENTAL CERTIFICATIONS



- with stacking pad, without tools up to 8 units
- with stacking pad, with trolley up to 8 units
- with link: with stacking pad, without tools up to 8 units
- with link: with stacking pad, with trolley up to 8 units

- leather / coated fabric: with stacking pad, without tools up to 5 units
- leather / coated fabric: with stacking pad, with trolley up to 5 units
- leather / coated fabric with link: with stacking pad, without tools up to 5 units
- leather / coated fabric with link: with stacking pad, with trolley up to 5 units

- with tablet: with stacking pad, without tools up to 5 units
- with tablet: with stacking pad, with trolley up to 5 units
- with tablet with link: with stacking pad, without tools up to 5 units
- with tablet with link: with stacking pad, with trolley up to 5 units

arper

www.arper.com

info@arper.com

Catifa 46

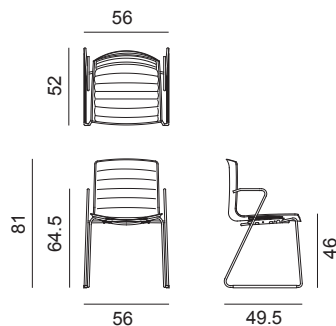
Design by Lievore Altherr Molina, 2013

Art. 0313

Chair with chromed steel sled base and polypropylene shell upholstered with a removable non-washable cover in leather, coated fabric, fabric or customer's own material. The cover stitching comes in the same color as the upholstery. Stitching on cover 1 and 3 comes in white or black, to customer's choice. The chair is provided already fitted with the cover. Optional glides with felt for wooden floors are available upon request.



Dimensions *



* File CAD 2D - 3D available for download at www.arper.com

Frame Base



CRO

Shell



Cover 1



Cover 2

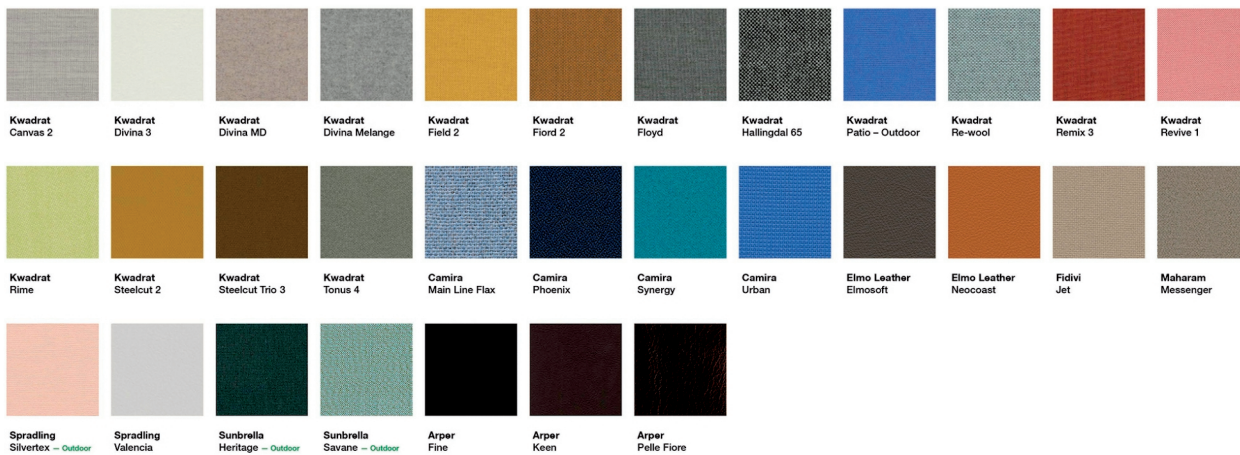


Cover 3



Cover 4

Carded In



Graded In

kvadrat

camira

Gabriel

arper

info@arper.com

www.arper.com

Catifa 46

Design by Lievore Altherr Molina, 2013

Accessories:



Link Art. 0258



Writing tablet Art. 0264



Stacking protection pad with link Art. 0277



Stacking protection glide Art. 0286





Stacking protection pad Art. 0499



Trolley Art. 0760

SHIPMENT DETAILS

Art.0313

1 pz = 2  - kg 11,92/ m² 0,319
4 pz = 2  - kg 41,7/ m² 0,448

RESISTANCE TEST

- EN 1728:2000 - EN 15373:2007 6.12
- EN 1728:2000 - EN 15373:2007 6.17
- EN 1728:2000 - EN 15373:2007 6.2.2
- EN 1728:2000 - EN 15373:2007 6.7
- EN 1022:05
- EN 1728:2000 - EN 15373:2007 6.15
- EN 1728:2000 - EN 15373:2007 6.2.1
- EN 1728:2000 - EN 15373:2007 6.6
- EN 1728:2000 - EN 15373:2007 6.8
- TUV GS (EN16139)

ENVIRONMENTAL CERTIFICATIONS



- with stacking pad, without tools up to 8 units
- with stacking pad, with trolley up to 8 units
- with link: with stacking pad, without tools up to 8 units
- with link: with stacking pad, with trolley up to 8 units

- leather / coated fabric: with stacking pad, without tools up to 5 units
- leather / coated fabric: with stacking pad, with trolley up to 5 units
- leather / coated fabric with link: with stacking pad, without tools up to 5 units
- leather / coated fabric with link: with stacking pad, with trolley up to 5 units

- with tablet: with stacking pad, without tools up to 5 units
- with tablet: with stacking pad, with trolley up to 5 units
- with tablet with link: with stacking pad, without tools up to 5 units
- with tablet with link: with stacking pad, with trolley up to 5 units

TECHNICAL SPECIFICATIONS

Art.0313

COL requirement m² 1.97
H 140 cm. COM Meterage m 1.08
*Classe 1, 2, 11M: fire retardant version available with surcharge and eventual minimum batch

FIRE RETARDANT TEST

Catifa 46

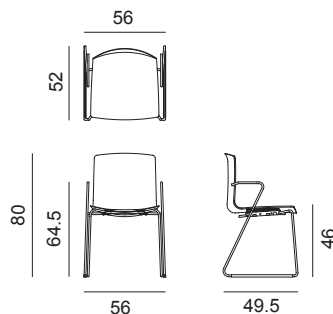
Design by Lievore Altherr Molina, 2014

Art. 0327

Chair with chromed steel sled base, fitted with armrests. Oak-effect reconstituted veneer shell available in three finishes (natural oak, bleached oak, wengé). Front upholstery in fabric or customer's own material. Glides for wooden floors available upon request without surcharge.



Dimensions *



* File CAD 2D - 3D available for download at www.arper.com

Frame Base



CRO

Shell

Wood

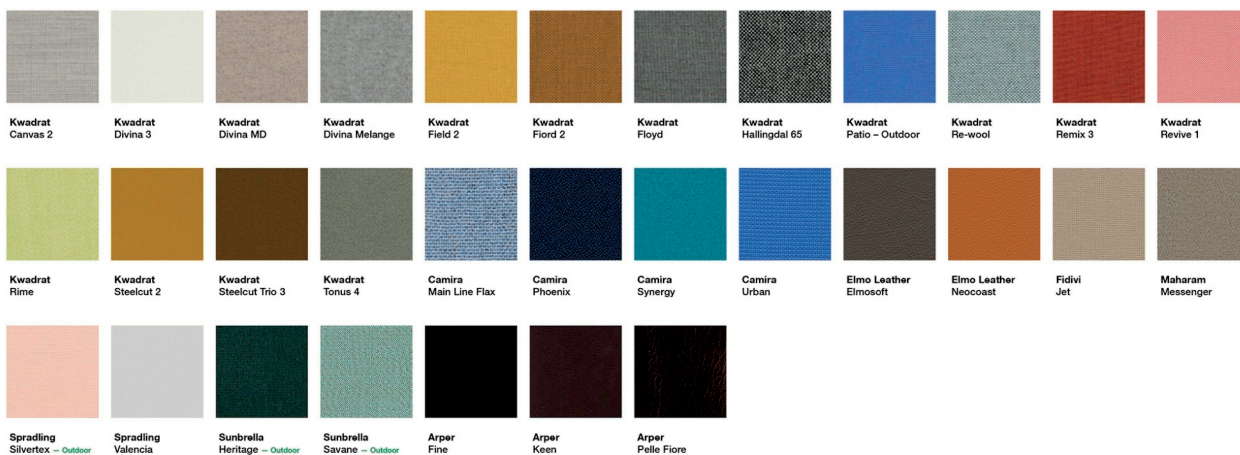


L0020

L0021

L0022

Carded In



Graded In

kvadrat

camira

Gabriel®

arper

info@arper.com

www.arper.com

Catifa 46

Design by Lievore Altherr Molina, 2014

Accessories:



Link Art. 0258



Writing tablet Art. 0264



Stacking protection pad with link Art. 0277



Stacking protection pad Art. 0499




Trolley Art. 0760

SHIPMENT DETAILS

Art.0327

1 pz = 2  - kg 13,32/ m² 0,326

4 pz = 2  - kg 43,12/ m² 0,456

RESISTANCE TEST

- TUV GS (EN16139)

ENVIRONMENTAL CERTIFICATIONS



- with stacking pad, without tools up to 8 units
- with stacking pad, with trolley up to 8 units
- with link: with stacking pad, without tools up to 8 units
- with link: with stacking pad, with trolley up to 8 units

- with tablet: with stacking pad, without tools up to 5 units
- with tablet: with stacking pad, with trolley up to 5 units
- with tablet with link: with stacking pad, without tools up to 5 units
- with tablet with link: with stacking pad, with trolley up to 5 units

TECHNICAL SPECIFICATIONS

Art.0327

H 140 cm. COM Meterage m 0.65

FIRE RETARDANT TEST

arper

www.arper.com

info@arper.com

Catifa 46

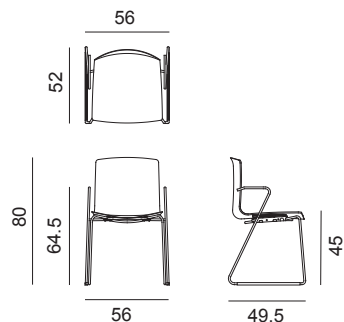
Design by Lievore Altherr Molina, 2004

Art. 0387

Chair with chromed steel sled base fitted with armrests. Oak-effect reconstituted veneer shell available in three finishes (natural oak, bleached oak, wengé). Optional glides with felt for wooden floors are available upon request.



Dimensions *



* File CAD 2D - 3D available for download at www.arper.com

Frame Base



CRO

Shell

Wood



L0020

L0021

L0022

arper

info@arper.com

www.arper.com

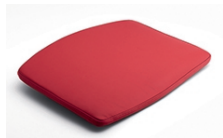
Catifa 46

Design by Lievore Altherr Molina, 2004

Accessories:



Link Art. 0258



Cushion Art. 0261



Writing tablet Art. 0264




Stacking protection glide Art. 0286




Trolley Art. 0760

SHIPMENT DETAILS

Art.0387

1 pz = 2  - kg 10,1/ m² 0,295

4 pz = 2  - kg 33,6/ m² 0,404

RESISTANCE TEST

- EN 1728:2000 - EN 15373:2007 6.12
- EN 1728:2000 - EN 15373:2007 6.6

- EN 1728:2000 - EN 15373:2007 6.17
- TUV GS (EN16139)

TECHNICAL SPECIFICATIONS

Art.0387

*Classe 1, 2, 11M: fire retardant version available with surcharge and eventual minimum batch

FIRE RETARDANT TEST

ENVIRONMENTAL CERTIFICATIONS



- with stacking pad, without tools up to 10 units
- with stacking pad, with trolley up to 10 units

- with tablet: with stacking pad, without tools up to 5 units
- with tablet: with stacking pad, with trolley up to 5 units

arper

www.arper.com

info@arper.com

Catifa 46

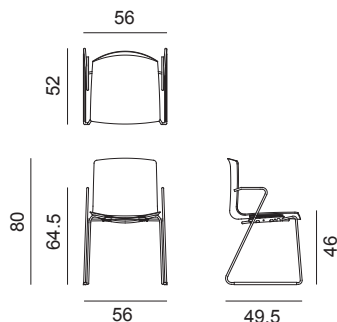
Design by Lievore Altherr Molina, 2012

Art. 0454

Chair with chromed steel sled base, fitted with armrests. Polypropylene shell with cushion upholstered in fabric, leather, coated fabric or customer's own material applied to the seat surface. Optional glides with felt for wooden floors are available upon request.



Dimensions *



* File CAD 2D - 3D available for download at www.arper.com

Frame Base



CRO

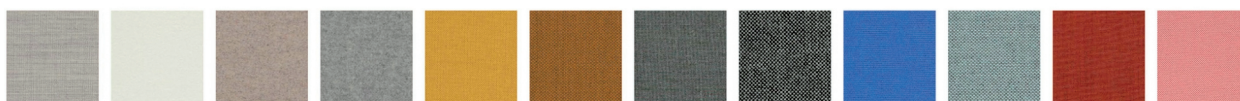
Shell

Polypropylene

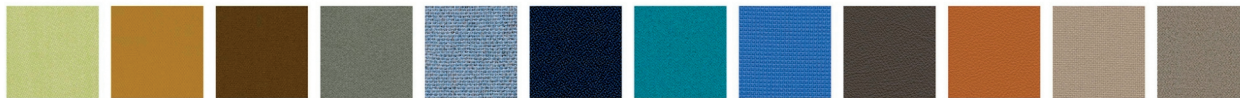


PO00204 PO00205 PO00209 PO00212 PO00213 PO00214 PO00215 PO00216 PO00217 PO00218

Carded In



Kwadrat Canvas 2 Kwadrat Divina 3 Kwadrat Divina MD Kwadrat Divina Melange Kwadrat Field 2 Kwadrat Fiord 2 Kwadrat Floyd Kwadrat Hallingdal 65 Kwadrat Patio - Outdoor Kwadrat Re-wool Kwadrat Remix 3 Kwadrat Revive 1



Kwadrat Rime Kwadrat Steelcut 2 Kwadrat Steelcut Trio 3 Kwadrat Tonus 4 Camira Main Line Flax Camira Phoenix Camira Synergy Camira Urban Elmo Leather Elmosoft Elmo Leather Neocoast Fidivi Jet Maharam Messenger



Spradling Silvertext - Outdoor Spradling Valencia Sunbrella Heritage - Outdoor Sunbrella Savane - Outdoor Arper Fine Arper Keen Arper Pelle Fiore

Graded In

kvadrat

camira

Gabriel®

arper

info@arper.com

www.arper.com

Catifa 46

Design by Lievore Altherr Molina, 2012

Accessories:



Link Art. 0258



Writing tablet Art. 0264



Stacking protection pad with link Art. 0277



Stacking protection pad Art. 0499




Trolley Art. 0760

SHIPMENT DETAILS

Art.0454

1 pz = 2  - kg 13,32/ m² 0,326

4 pz = 2  - kg 43,12/ m² 0,456

TECHNICAL SPECIFICATIONS

Art.0454

COL requirement m² 0.48

H 140 cm. COM Meterage m 0.59

RESISTANCE TEST

- EN 1728:2000 - EN 15373:2007 6.12
- EN 1728:2000 - EN 15373:2007 6.17
- EN 1728:2000 - EN 15373:2007 6.2.2
- EN 1728:2000 - EN 15373:2007 6.7
- EN 1022:05
- EN 1728:2000 - EN 15373:2007 6.15
- EN 1728:2000 - EN 15373:2007 6.2.1
- EN 1728:2000 - EN 15373:2007 6.6
- EN 1728:2000 - EN 15373:2007 6.8
- TUV GS (EN16139)

FIRE RETARDANT TEST

ENVIRONMENTAL CERTIFICATIONS



arper

- with stacking pad, without tools up to 8 units
- with stacking pad, with trolley up to 8 units
- with link: with stacking pad, without tools up to 8 units
- with link: with stacking pad, with trolley up to 8 units

- leather / coated fabric: with stacking pad, without tools up to 5 units
- leather / coated fabric: with stacking pad, with trolley up to 5 units
- leather / coated fabric with link: with stacking pad, without tools up to 5 units
- leather / coated fabric with link: with stacking pad, with trolley up to 5 units

- with tablet: with stacking pad, without tools up to 5 units
- with tablet: with stacking pad, with trolley up to 5 units
- with tablet with link: with stacking pad, without tools up to 5 units
- with tablet with link: with stacking pad, with trolley up to 5 units

www.arper.com

info@arper.com

Catifa 46

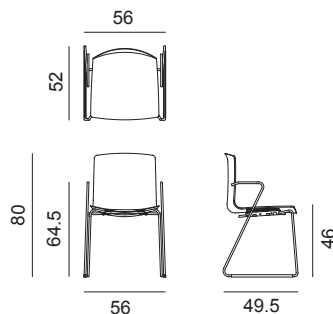
Design by Lievore Altherr Molina, 2004

Art. 0470

Chair with chromed steel sled base, fitted with armrests. Polypropylene shell with front upholstery in leather, coated fabric, fabric or customer's own material. Optional glides with felt for wooden floors are available upon request.



Dimensions *



* File CAD 2D - 3D available for download at www.arper.com

Frame Base



CRO

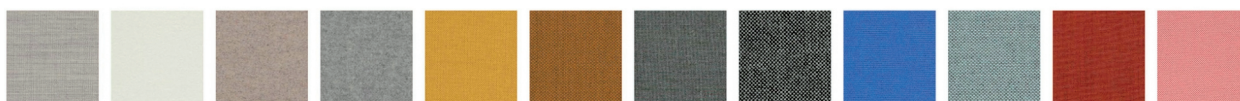
Shell

Polypropylene

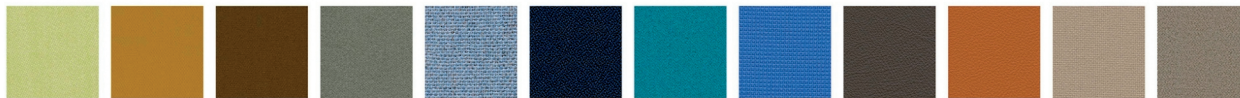


PO00101 PO00104 PO00105 PO00109 PO00112 PO00113 PO00114 PO00115 PO00116 PO00117 PO00118

Carded In



Kwadrat Canvas 2 Kwadrat Divina 3 Kwadrat Divina MD Kwadrat Divina Melange Kwadrat Field 2 Kwadrat Fiord 2 Kwadrat Floyd Kwadrat Hallingdal 65 Kwadrat Patio - Outdoor Kwadrat Re-wool Kwadrat Remix 3 Kwadrat Revive 1



Kwadrat Rime Kwadrat Steelcut 2 Kwadrat Steelcut Trio 3 Kwadrat Tonus 4 Camira Main Line Flax Camira Phoenix Camira Synergy Camira Urban Elmo Leather Elmosoft Elmo Leather Neocoast Fidivi Jet Maharam Messenger



Spradling Silvertex - Outdoor Spradling Valencia Sunbrella Heritage - Outdoor Sunbrella Savane - Outdoor Arper Fine Arper Keen Arper Pelle Fiore

Graded In

kvadrat

camira

Gabriel®

arper

info@arper.com

www.arper.com

Catifa 46

Design by Lievore Altherr Molina, 2004

Accessories:



Link Art. 0258



Writing tablet Art. 0264



Stacking protection pad with link Art. 0277



Stacking protection pad Art. 0499



Trolley Art. 0760

SHIPMENT DETAILS

Art.0470

1 pz = 2 - kg 13,32/ m² 0,326

4 pz = 2 - kg 43,12/ m² 0,456

TECHNICAL SPECIFICATIONS

Art.0470

COL requirement m² 0.94

H 140 cm. COM Meterage m 0.65

RESISTANCE TEST

- EN 1728:2000 - EN 15373:2007 6.12
- EN 1728:2000 - EN 15373:2007 6.17
- EN 1728:2000 - EN 15373:2007 6.2.2
- EN 1728:2000 - EN 15373:2007 6.7
- EN 1022:05
- EN 1728:2000 - EN 15373:2007 6.15
- EN 1728:2000 - EN 15373:2007 6.2.1
- EN 1728:2000 - EN 15373:2007 6.6
- EN 1728:2000 - EN 15373:2007 6.8
- TUV GS (EN16139)

FIRE RETARDANT TEST

ENVIRONMENTAL CERTIFICATIONS



- with stacking pad, without tools up to 8 units
- with stacking pad, with trolley up to 8 units
- with link: with stacking pad, without tools up to 8 units
- with link: with stacking pad, with trolley up to 8 units

- leather / coated fabric: with stacking pad, without tools up to 5 units
- leather / coated fabric: with stacking pad, with trolley up to 5 units
- leather / coated fabric with link: with stacking pad, without tools up to 5 units
- leather / coated fabric with link: with stacking pad, with trolley up to 5 units

- with tablet: with stacking pad, without tools up to 5 units
- with tablet: with stacking pad, with trolley up to 5 units
- with tablet with link: with stacking pad, without tools up to 5 units
- with tablet with link: with stacking pad, with trolley up to 5 units

arper

www.arper.com
info@arper.com