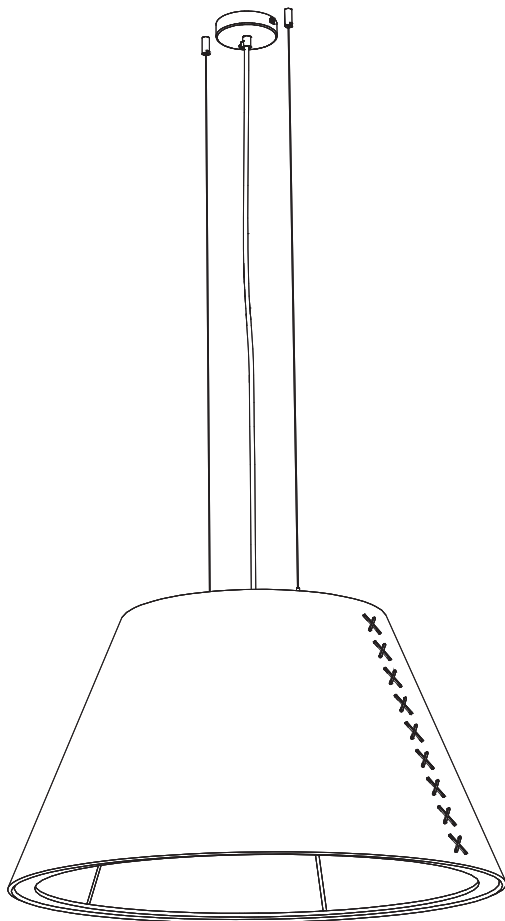


# BuzziShade Pendant

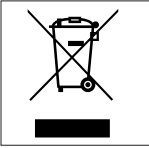
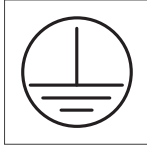
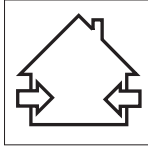
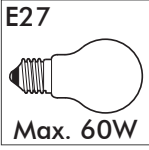
INSTALLATION MANUAL

220-240V



# Technical info

---

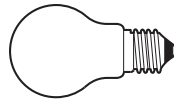
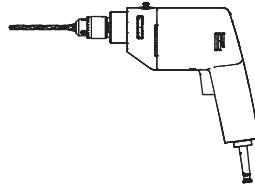
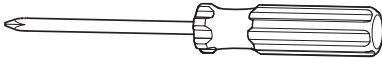
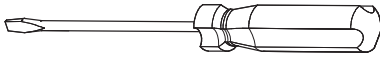


## Environmental Protection

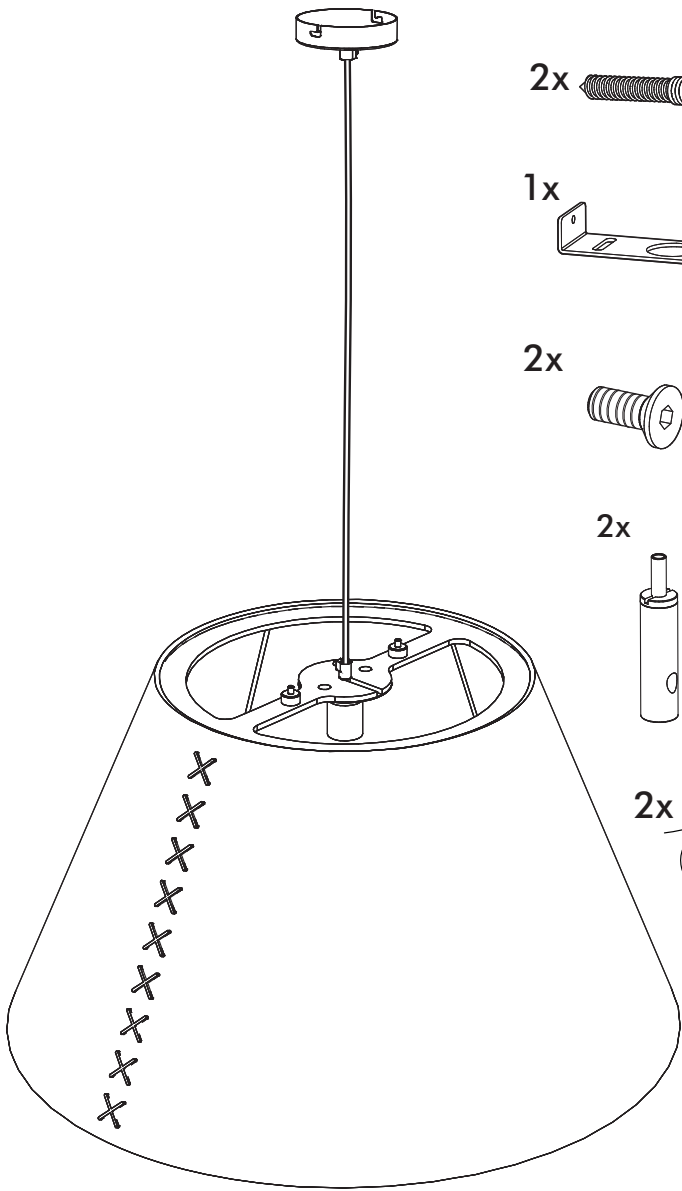
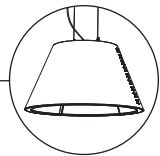
Waste electrical products should not be disposed of with household waste. Please recycle where facilities exist. Check with your Local Authority or retailer for recycling advice.


## Excluded

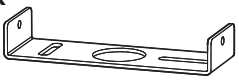
---

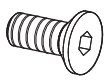




# Included BuzziShade Pendant

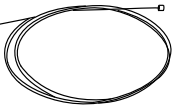


2x M6 

1x 

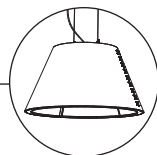
2x 

2x  2x 

2x 

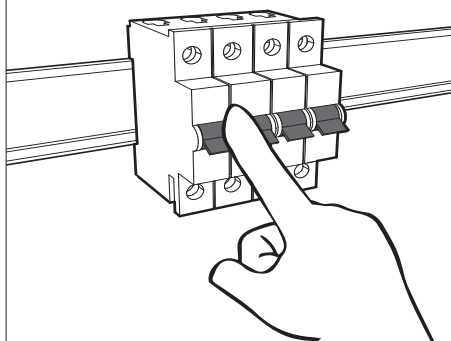
# BuzziShade Pendant

2 PERS. 

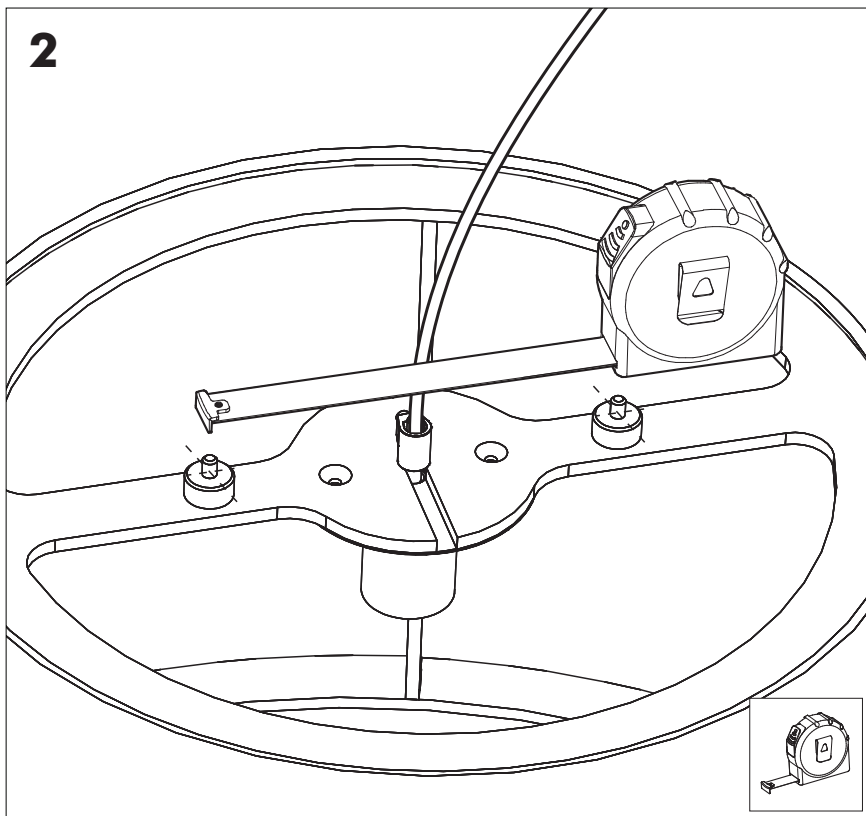


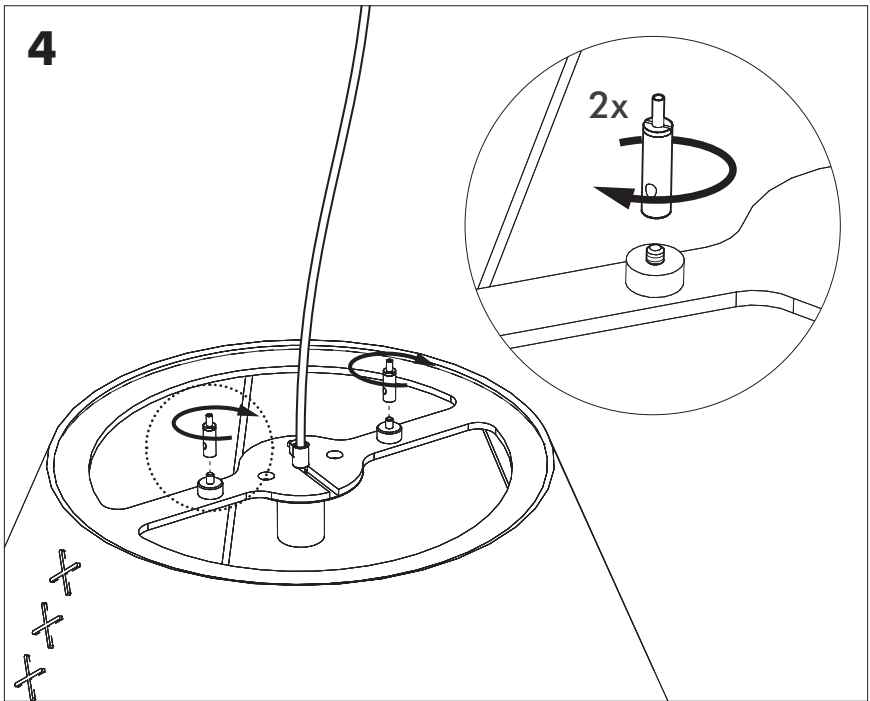
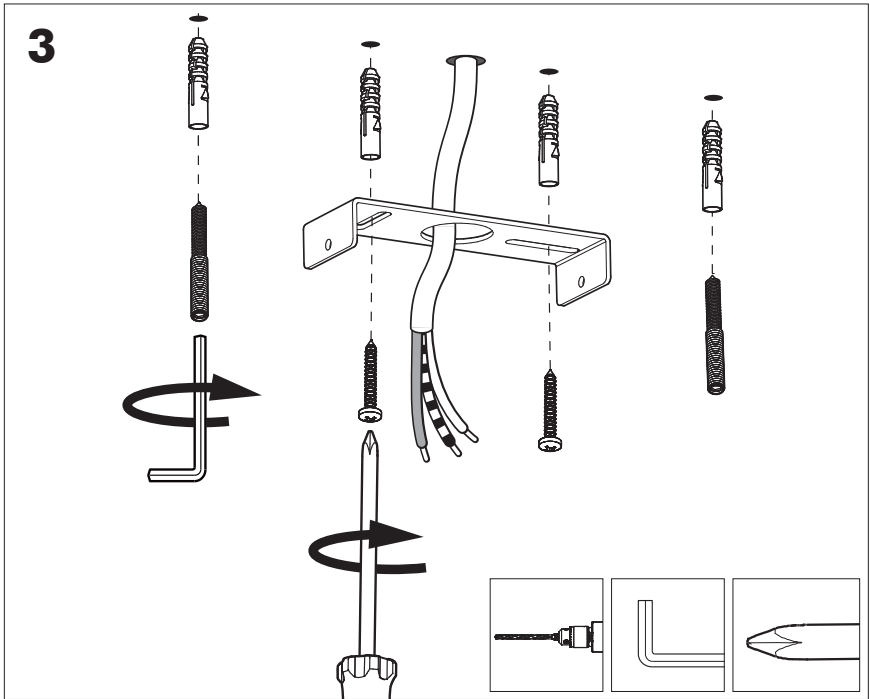
**1**

**OFF**

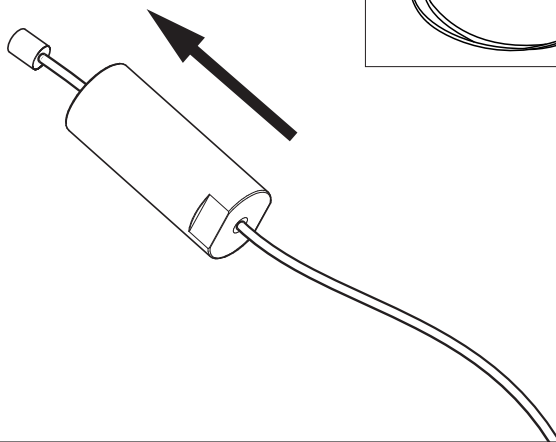


**2**

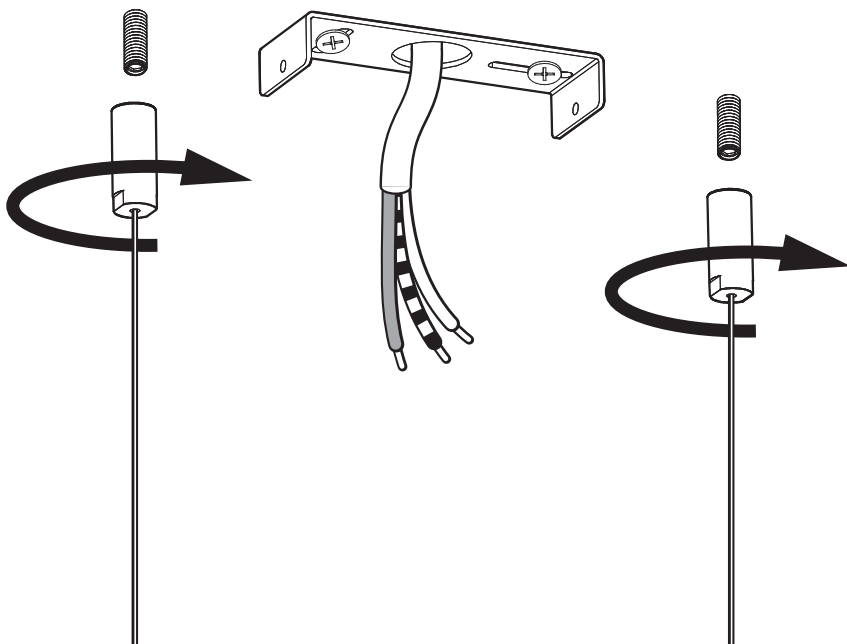




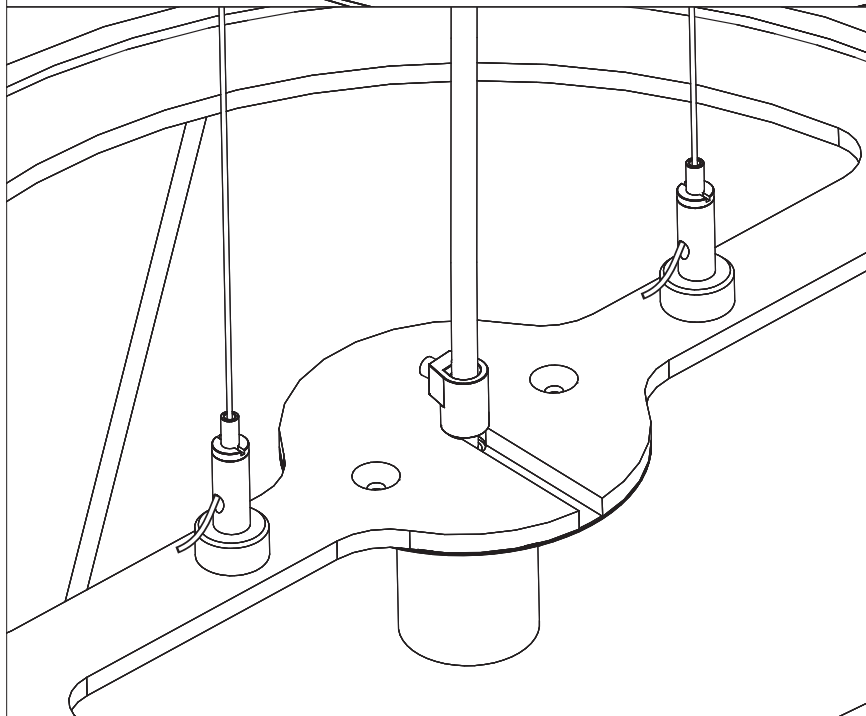
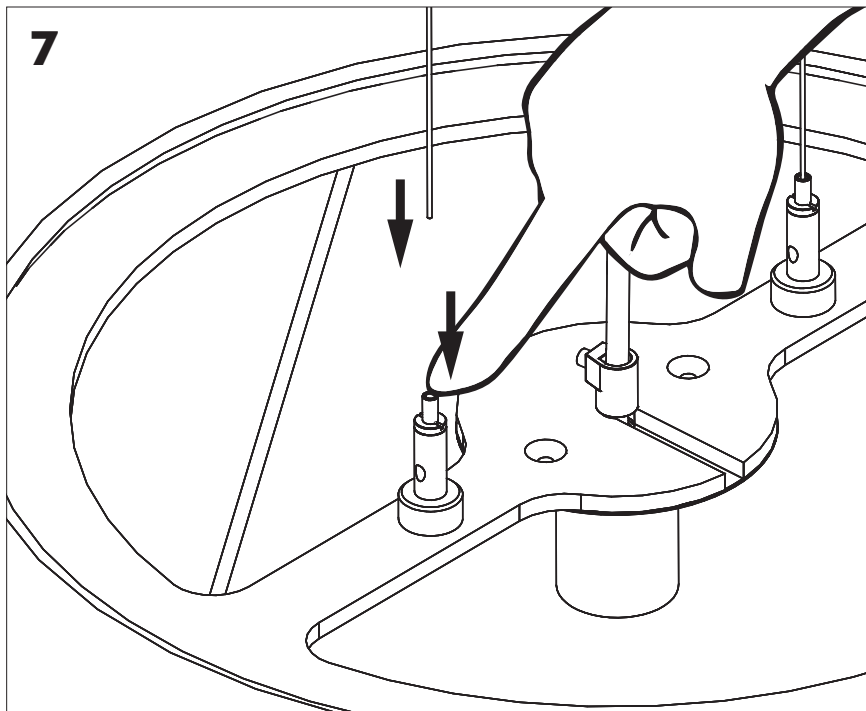
5



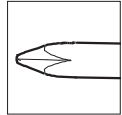
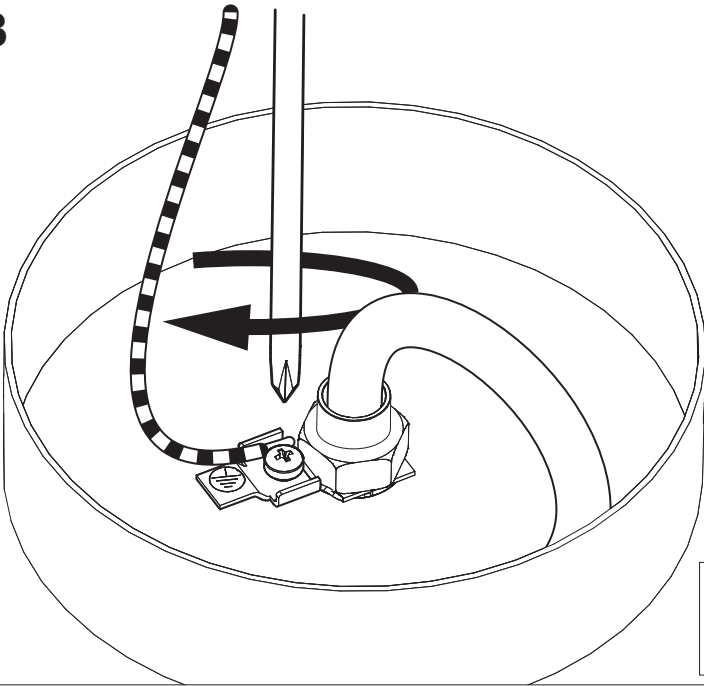
6



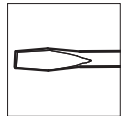
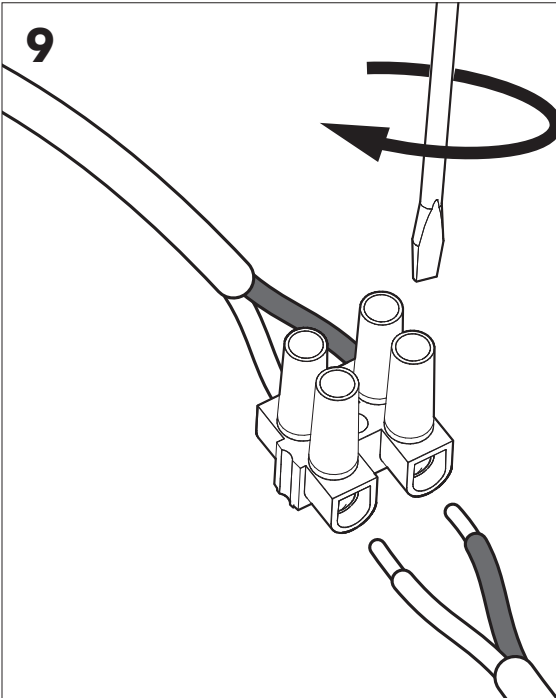
7



8

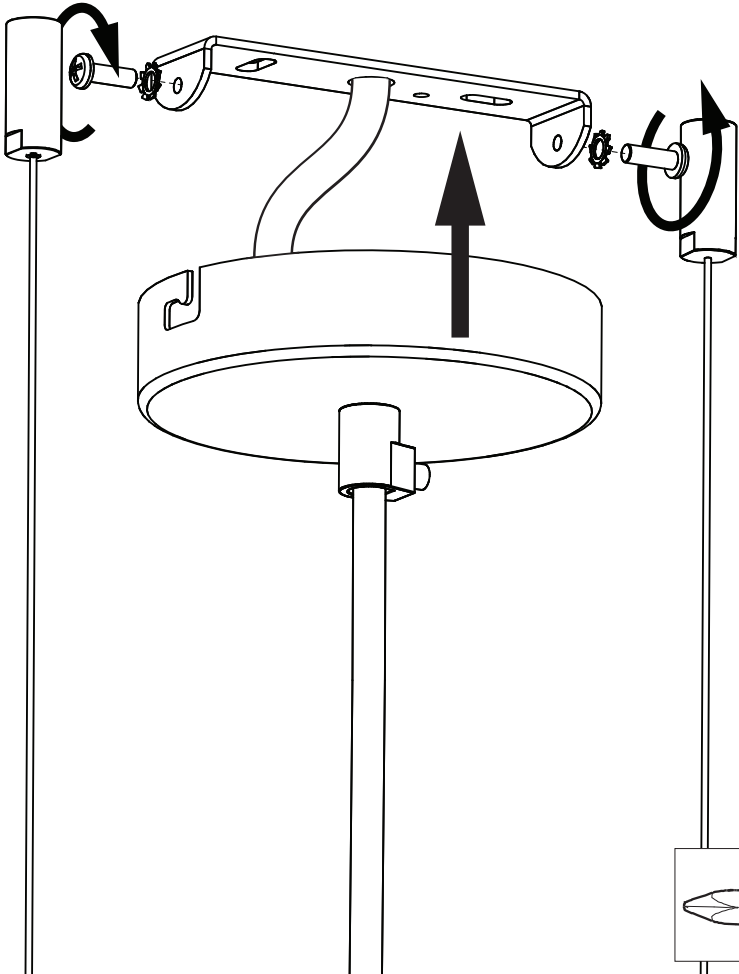
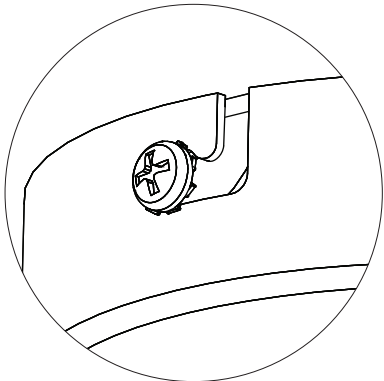


9

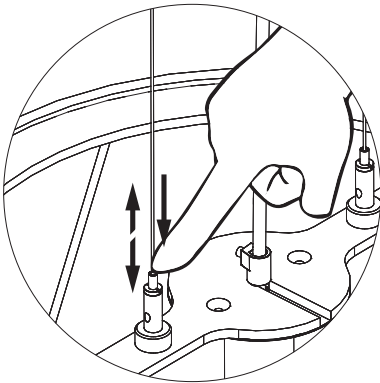
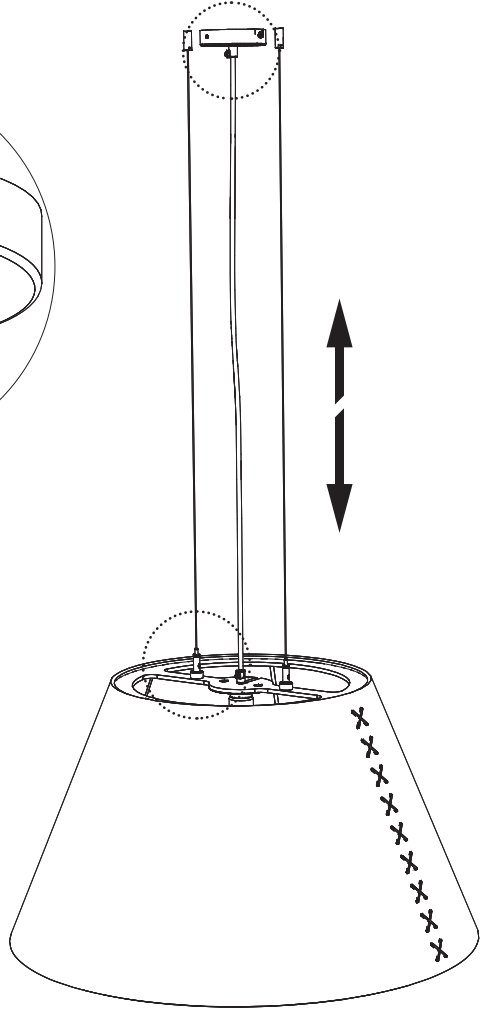
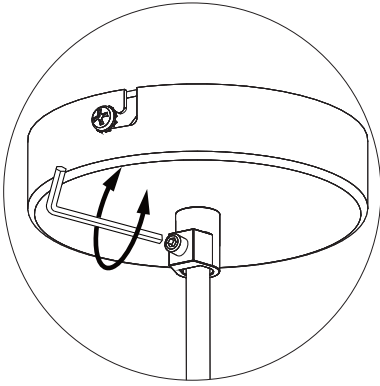




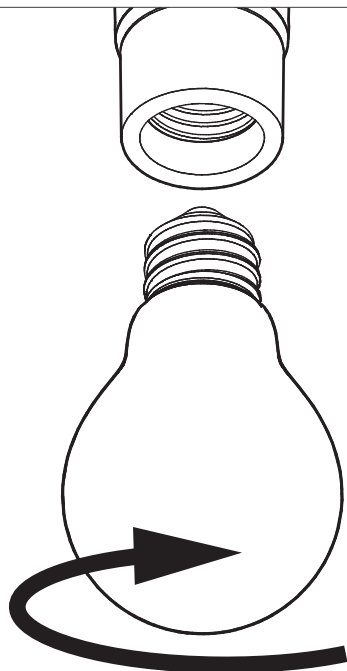
10



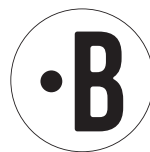
11



**12**



**BuzziSpace**  
Groeningenlei 141  
2550 Antwerp, Kontich  
Belgium  
☎ +32 (0)3 846 10 00  
✉ [info@buzzi.space](mailto:info@buzzi.space)  
🌐 [www.buzzi.space](http://www.buzzi.space)



Doc nr.: A-0000001325/02  
Last update: 09/09/2021