

# BuzziNest Booth

## Owner Manual

This document contains information for the owner of the BuzziBooth.  
Please check the website for the latest information.

### Silent workspaces anywhere

BuzziNest Booth is a great alternative to expensive infrastructure and all you need to erase distracting noise from any workplace. The compact acoustic privacy Booth for 1 offers a private space to work and take calls in any open space without disturbing others, and most importantly, being disturbed.

Because of its luxe upholstered exterior and fabric panels on the interior, BuzziNest effectively dampens sound from every direction to create maximum peace and quiet for everyone in the office, whether you are working inside BuzziNest or out. Say goodbye to excessive echo and noise!

Design by BuzziSpace Studio

Note: This appliance is not intended for use by persons (including children) with reduced physical, sensory, or mental capabilities, or lack of experience and knowledge unless they have been given supervision or instruction concerning the use of the appliance by a person responsible for their safety. Children should be supervised to ensure that they do not play with the appliance.

---

## General



BuzziNest Booth

Structure: Poplar plywood

Frame: laminated plywood with oiled trim



Glass: safety glass with acoustic film

Inside finish: Felt, Felt Printed or 3D pattern in Fabric or Trevira CS+

Outside finish: fabric-covered foam in Fabric or Trevira CS+

### Power:

Mains supply: 230V, 50 Hz, max 10A

Stand-by consumption: 1,15W

Consumption when in use: 16,75W

Internal fuses: 2 x 10A glass fuses

(5 x 20mm, speed T)



### Output:

Table socket – 230V, 50Hz, max 6A

Twin USB charger – type A and C, max 5A at 5VDC combined

### Lighting unit:

Power usage: 14W

Input: 230V / 50Hz

Lumen output: 1260 lumen

Color Temperature: 4000K

Color Rendering Index: >80



### Ventilation unit:

Min. power usage: 1,73W

Max. power usage: 4,32W

Input: 12V dc



Airflow rates:

1 : 13 l/s - 20,1W | 2: 21 l/s - 20,8W | 3: 26 l/s - 22,3W | 4: 34 l/s - 24,2W

Airflow rate when occupied: 21 l/sec - 20,8W

Airflow rate after 5 min without occupancy: 10.5 l/sec

Airflow rate stand-by mode, after 15 min without occupancy: 3.5 l/sec - 1,4W



Dimensions and weight:

Width: 110 cm | 43.31" Depth: 108 cm | 70.87" Height: 217 cm | 85.43



310 kg | 683 lbs

# FUNCTIONALITIES

---

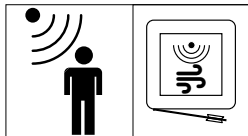
## Lighting unit



The lighting unit is triggered by a motion detector and illuminates the moment someone enters the BuzziNest Booth.  
When the motion detector no longer detects a presence, it switches off the light after 5 minutes to save energy.

---

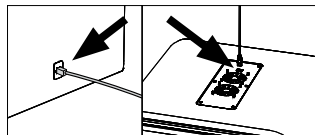
## Ventilation Unit



The ventilation unit assures good air quality within the Booth.  
The ventilation is triggered by a motion detector. The moment someone enters the Booth, fresh air is blown in from above, pushing the air outside through the vent holes at the bottom of the Booth.  
When the motion detector no longer detects a presence, the ventilation remains on for another five minutes. The fan speed will then decrease to 50% for the next 10 minutes to flush out the interior air whilst the Booth is unoccupied. Following flush mode, the fan will once again reduce its speed to about 10% of its full capacity until the motion sensor is triggered by another user.

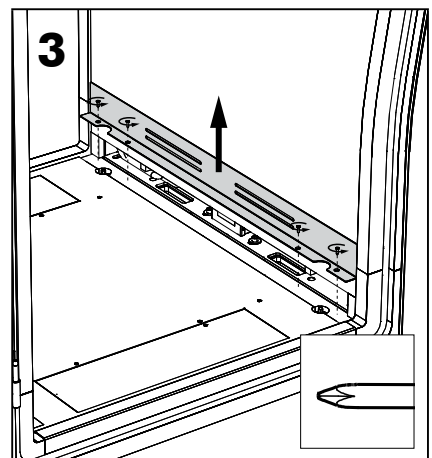
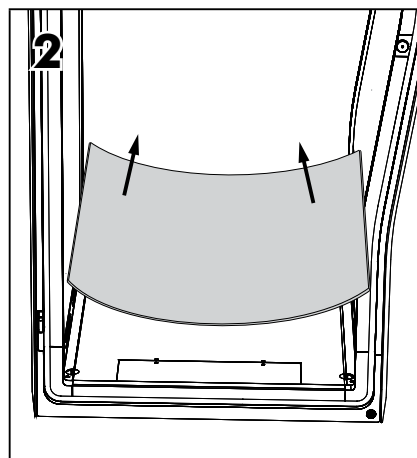
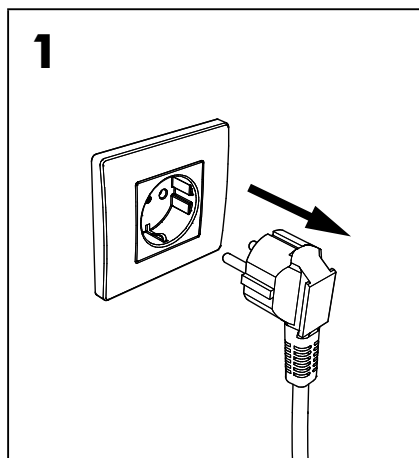
---

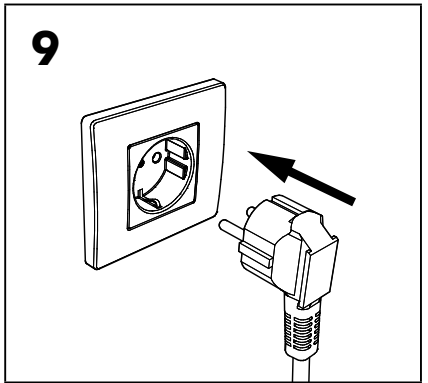
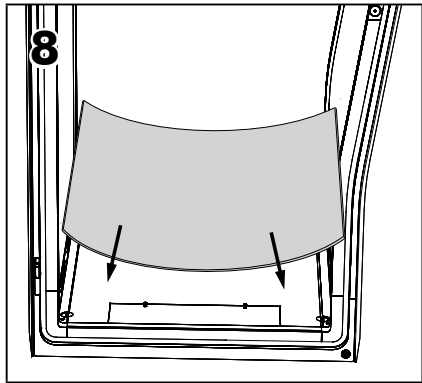
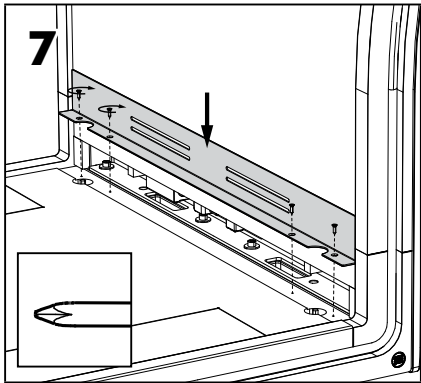
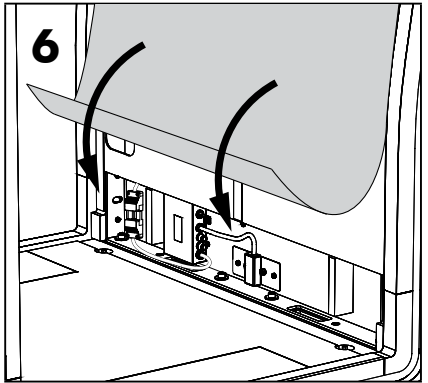
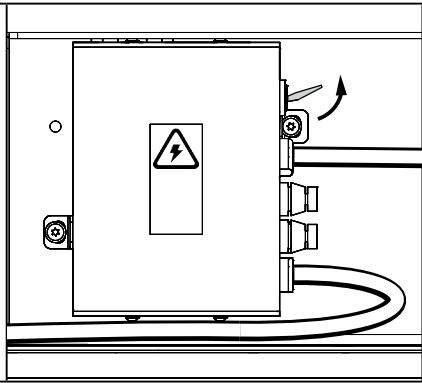
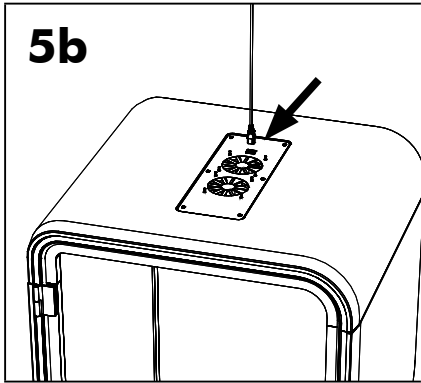
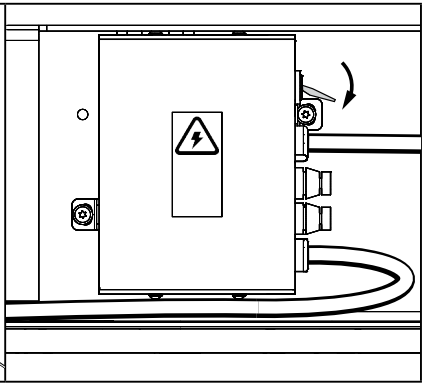
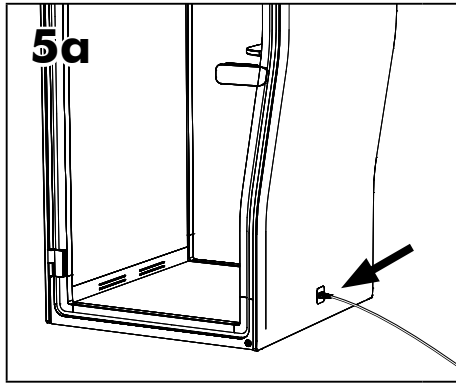
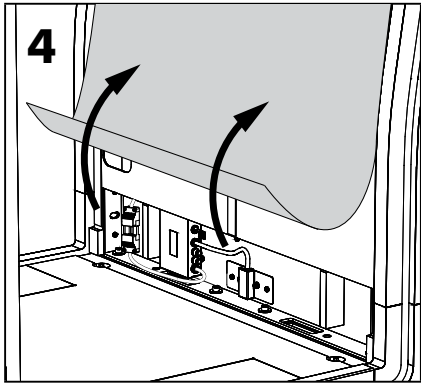
## Choosing the location of the power supply



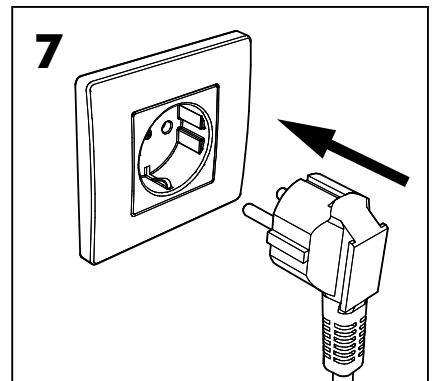
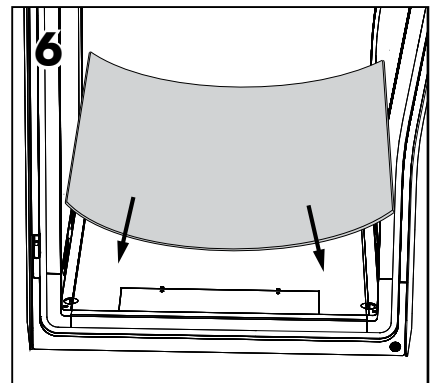
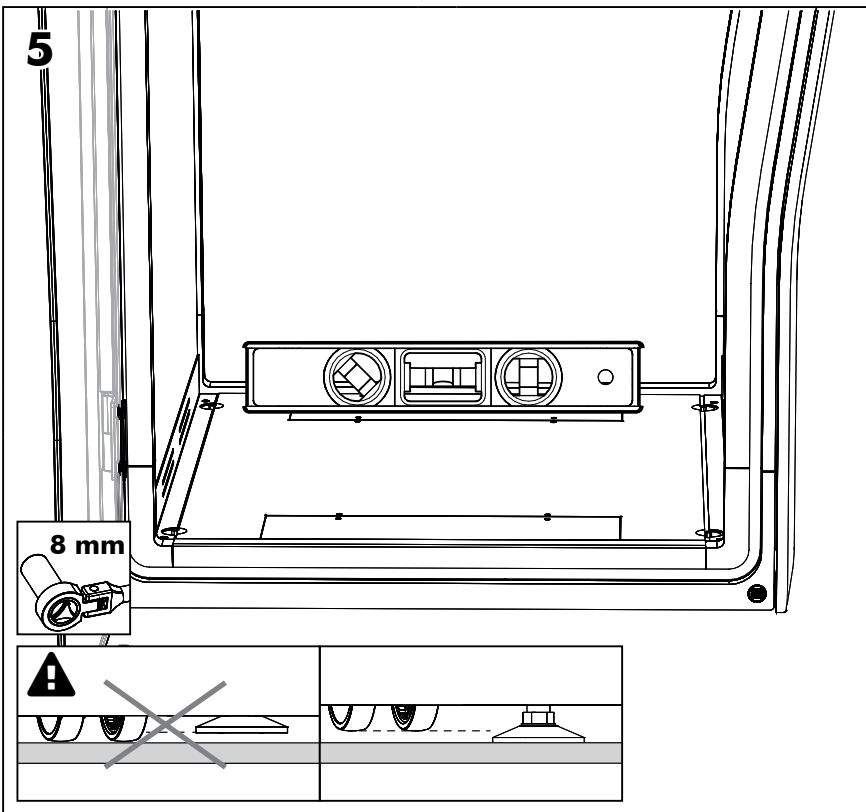
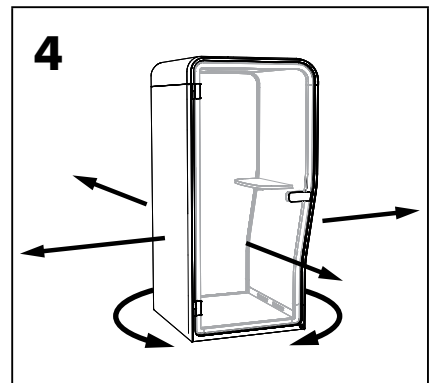
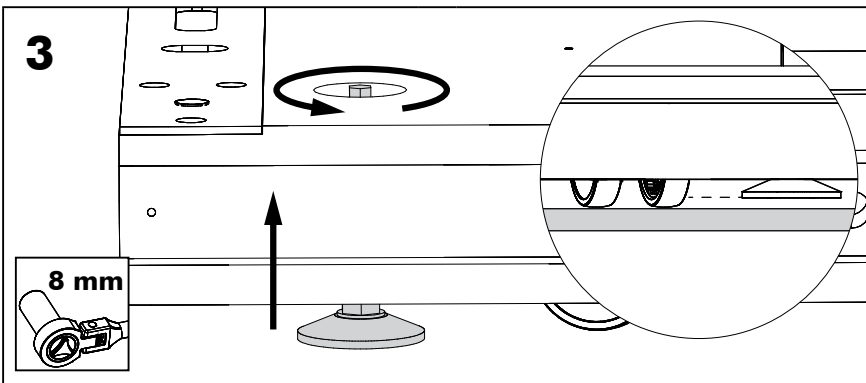
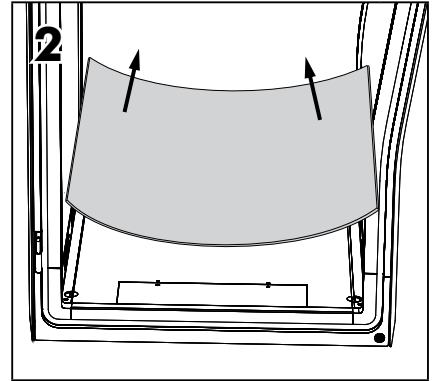
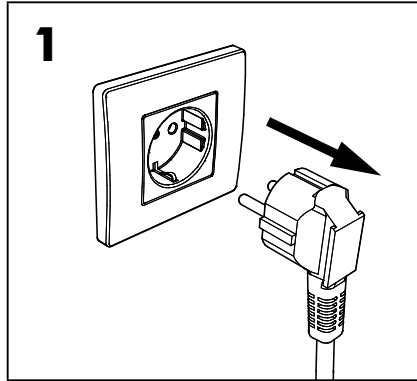
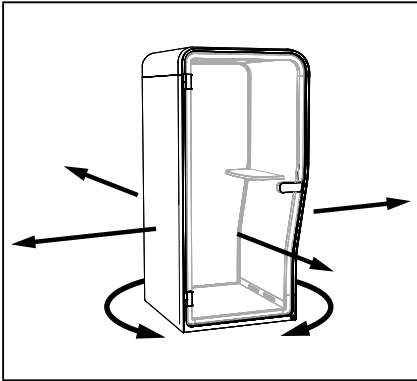
The BuzziNest Booth can be connected to the power grid in two different ways. Firstly, via the power inlet on the side of the Booth, it can be connected to a wall power outlet. The product can also be connected to a power outlet situated in the ceiling by connecting it via the top of the BuzziNest Booth.

**It's advised the following steps should be carried out by a technically skilled person:**





# Move the BuzziNest Booth

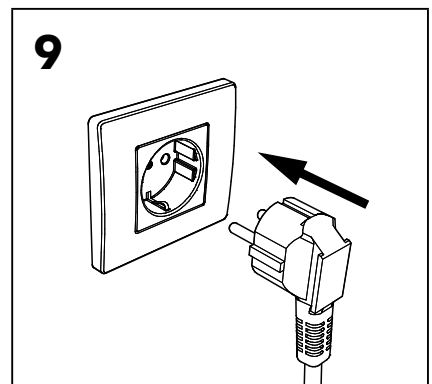
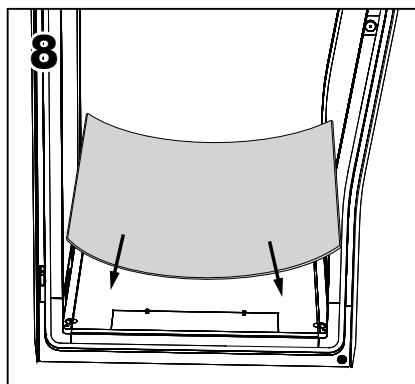
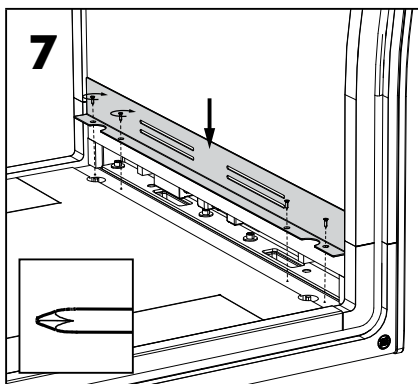
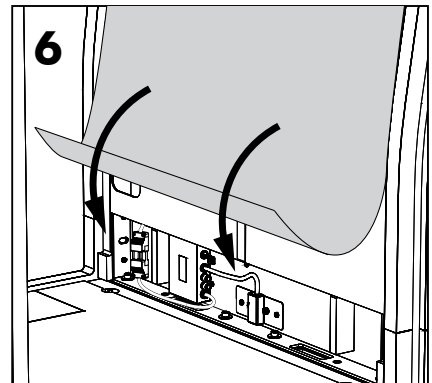
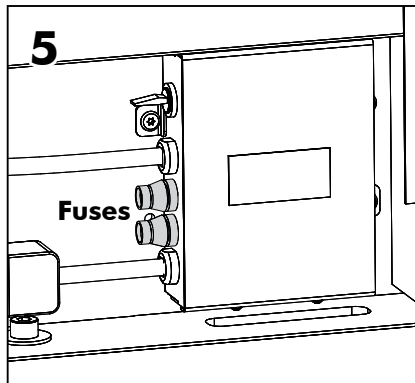
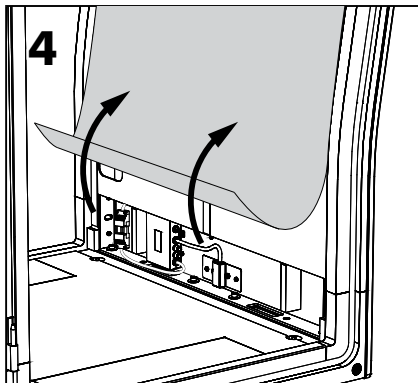
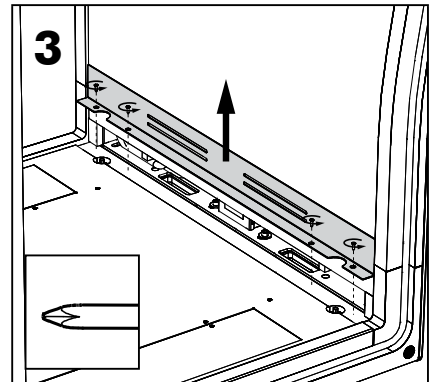
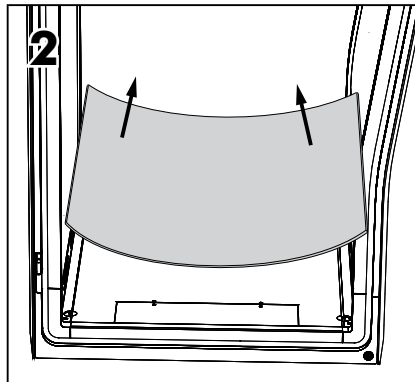
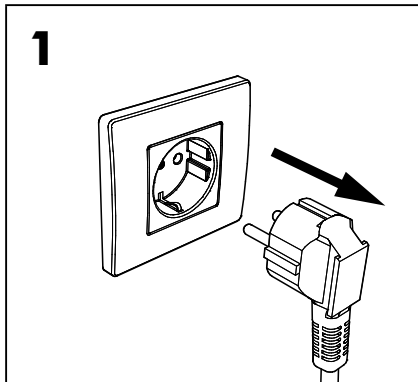


## Checking and replacing the fuses.

The electronics and power outlets of the BuzziNest are secured for safety reasons with two glass 10A fuses (5 x 20mm, speed T). These two fuses are situated on the junction box that also contains the switch to choose the upper or lower power inlet.

These fuses may need replacing as a consequence of a power surge, misuse, or a short circuit.

**The following steps are to be done by a technically skilled person:**



---

## Care & maintenance

### Interior/ exterior fabric or felt cover

Regular cleaning is important in order to keep the textile looking its best and to prolong its life. Dust and dirt wear down the textile and also reduce its fire-retardant properties.

#### Do

- Vacuum regularly.
- Remove dust using a soft brush, if needed.
- Treat spillages immediately.

#### Don't

- Don't wash.
- Don't use abrasive sponges or cloths.
- Don't steam products with a 3D pattern.

### Woods and laminates

To ensure maximum lifetime, maintenance is key. Following from the organic nature of wood, it develops its own character throughout the growth process, which is reflected in color, knots and structure. Every tree is unique, and therefore slight variations will appear in every piece of furniture.

#### Do

- Clean all surfaces frequently with a soft, water-dampened cloth, wiping in the direction of the grain.
- Use coasters under hot objects such as coffeepots and cups (avoid extreme temperatures).
- Immediately remove all liquids on wood surfaces by blotting them dry.
- Use a protective desk pad under all writing areas and business machines.
- Try to expose the wood to constant level of humidity. Ideally, the indoor humidity levels must be between 50% and 60% to avoid wood shrinks, small cracks and splits to occur.

#### Don't

- Don't use abrasive sponges or cloths.
- Don't clean or wipe against the grain.
- Don't expose the furniture to extreme heat, cold or various humidities.
- Don't place hot object directly on the wood as this may cause rings to form.
- Don't pull items across the surface as this will cause scratches.
- Don't use harsh solvents - they might cause the finish to deteriorate.
- Don't use glass cleaners or waxes.
- Don't use furniture polishes as they build up layers that trap dirt and particles which can scratch surfaces and leave a smeared appearance.
- Keep water away from the surface.

---

## Stain removal

Note: disconnect from mains power prior to soaking with fluids or detergents

First, scrape off any liquids or hardened residues with a spoon or a scoop before you proceed. Any loose particles must be vacuum cleaned before further action. Liquids must be soaked up with an absorbent napkin or cloth.

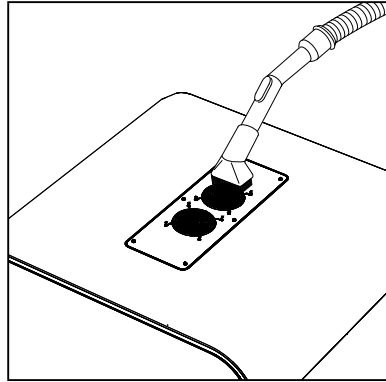
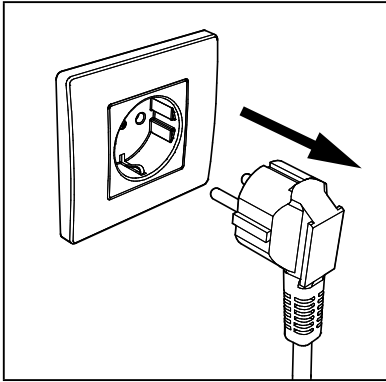
- Light stains: carefully dab with pH neutral soap and a clean damp cloth or sponge. Edge marks can be avoided by dabbing gently in circular motions towards the center of the stain with a clean lint-free cloth.
- Grease stains: use appropriate detergents or solvents. In all cases, we recommend testing stain removal agents on an inconspicuous area first, to see if there are any effects.
- Large, heavy stains: professional dry clean is recommended.  
Make sure to dry the fabric fully before use. It may also be necessary to use a hairdryer to avoid leaving edge marks.
- Surface water - dried droplets: Rub a damp sponge over the surface and wipe dry.
- Drinks: Soak up and rub with a damp cloth and wipe dry.
- Grease: Wipe with a wet sponge and washing-up liquid, rinse and dry.
- Glue, nail varnish: Call a professional cleaner, if possible. Most varnishes/lacquers are attacked by acetone.
- Ink, permanent marker: Clean immediately with methylated spirits or lemon juice. Some indelible pens can leave a mark on the varnish, if cleaning is not done straight away.

---

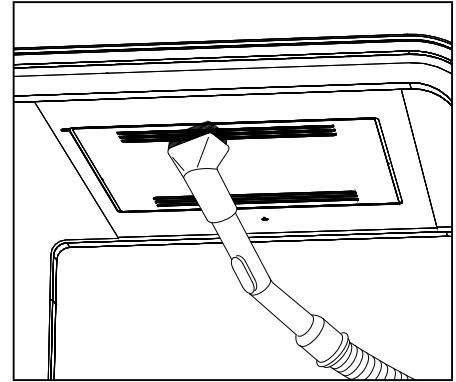
## Cleaning the ventilation

At least once a year, the ventilation fans and grids should be cleaned to ensure a healthy environment inside the BuzziNest

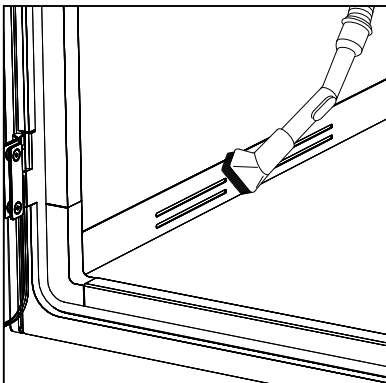
Use a vacuum cleaner with a brushed head to remove dust



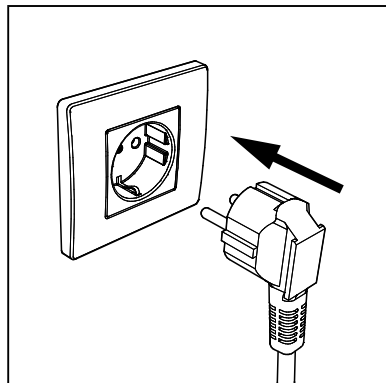
Ventilator on top of the Booth



Ventilation holes at the lighting unit



Ventilation holes at the frame nearby the carpet



Note: Once every 5 years the ventilation ducts located the lighting plate and beside the carpet should be cleaned. Contact a professional installer for partial disassembly and cleaning of the BuzziNest Booth.



---

## FAQ

Please check our website for the latest version.  
An extract of the FAQ list will be available here

---

## Troubleshooting

### **No light, no ventilation, no power from the socket**

- Check the power cord inlet
- Check if the socket outlet to which the BuzziNest is connected is powered

The following trouble shooting steps should be done by a professional installer:

- check the connection of the internal power cords
- check if the switch on the power junction box is in the right position
- check the fuses in the power junction box

If one of the above functions is working and others are not, there might be a defect.  
Please contact your dealer/agent for technical assistance.

### **The BuzziNest is unstable**

- Level the BuzziNest by screwing up or down the feet underneath the booth.  
The leveling feet are accessible underneath the carpet.

### **The door does not close properly**

- A leveling mechanism is foreseen in the hinges. The hinges can be adjusted at the bottom using an Allen key.

---

## Fire Safety

Although no regulations are known where placing sprinkler heads are mandatory, you can reach out to your dealer or BuzziSpace for more information.

---

## Declaration of conformity

EU Declaration of Conformity: This product complies with the essential requirements of the following EU directives, Low Voltage Directive 2016/35/EU, Electromagnetic Compatibility Directive 2016/30/U, and RoHS 2011/65/EU. The unit carries the appropriate CE Marking. Any unauthorized modification of this equipment will invalidate this declaration.

---

## Contact Information

**This BuzziNest Booth is sold and installed by:**

Name:.....

Contact person: .....

Address: .....

Phone:.....

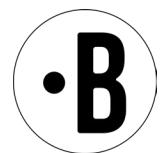
Email:.....

Remarks:.....

.....

.....

BuzziSpace  
Groeningenlei 141  
2550 Antwerp, Kontich  
Belgium  
☎ +32 (0)3 846 10 00  
✉ info@buzzi.space  
🌐 www.buzzi.space



Doc nr.: A-0000007334  
Last update: 28/09/2022