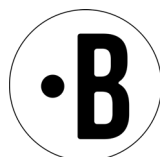
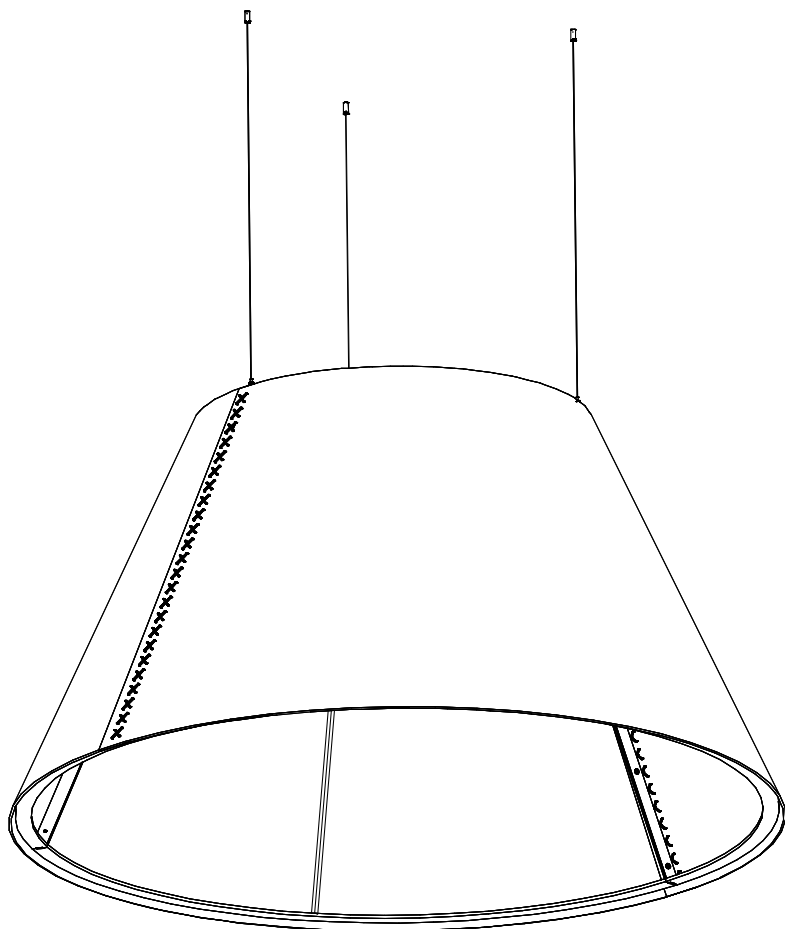


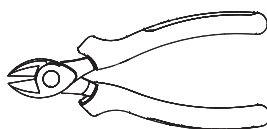
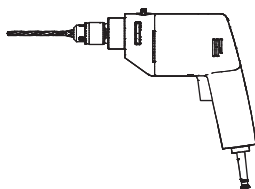
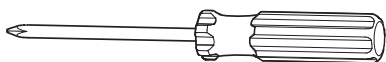
BuzziShade XL - XXL

Excluding Electrical Components

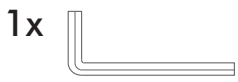
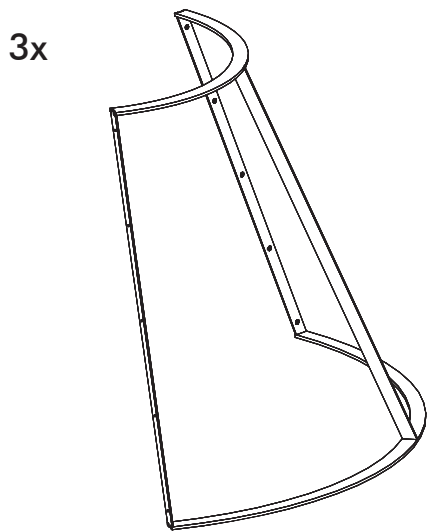
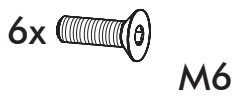
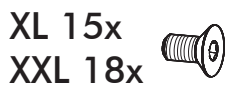
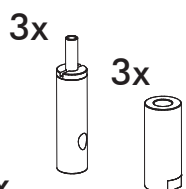
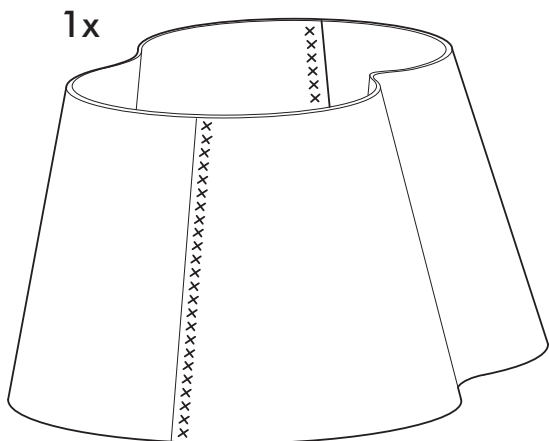
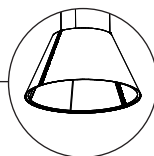
INSTALLATION MANUAL



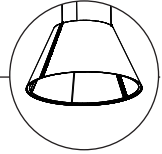
Excluded



Included BuzziShade XL-XXL

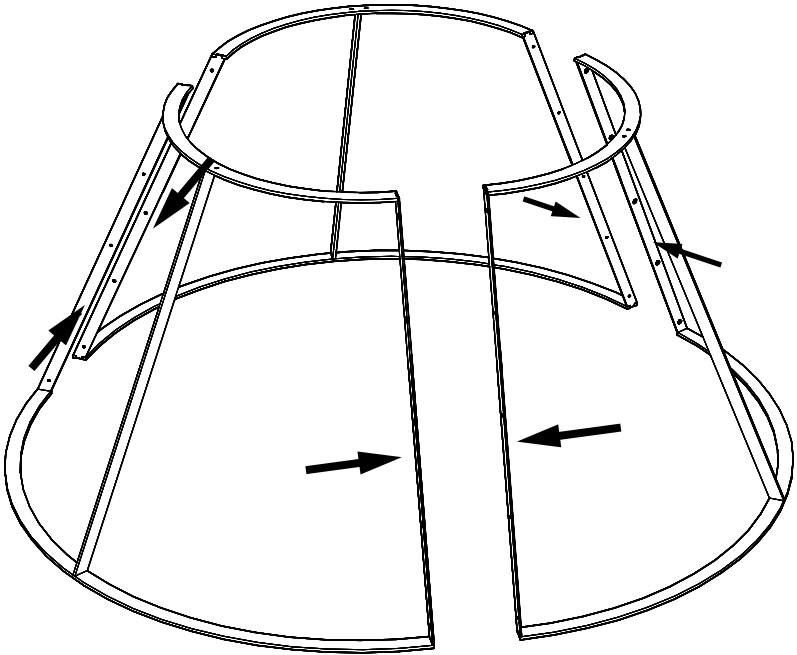


BuzziShade XL-XXL

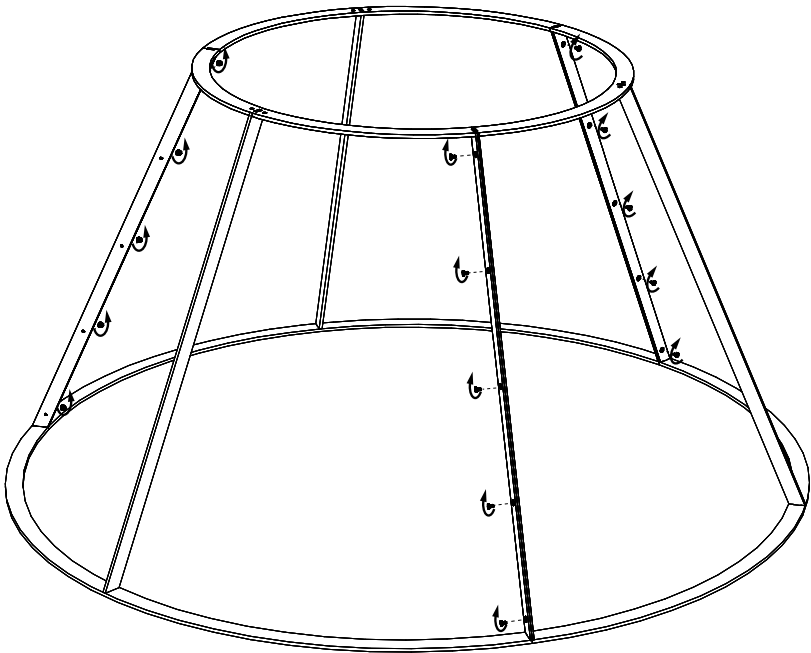
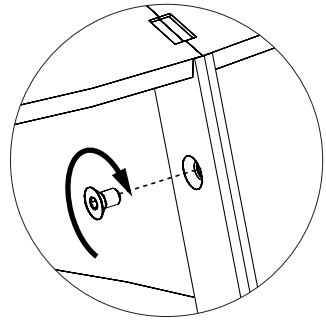


2 PERS. 

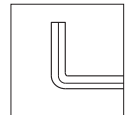
1



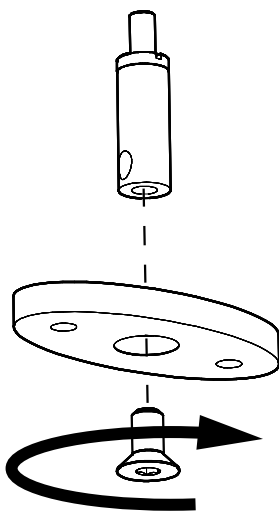
2



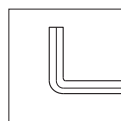
XL 12x
XXL 15x



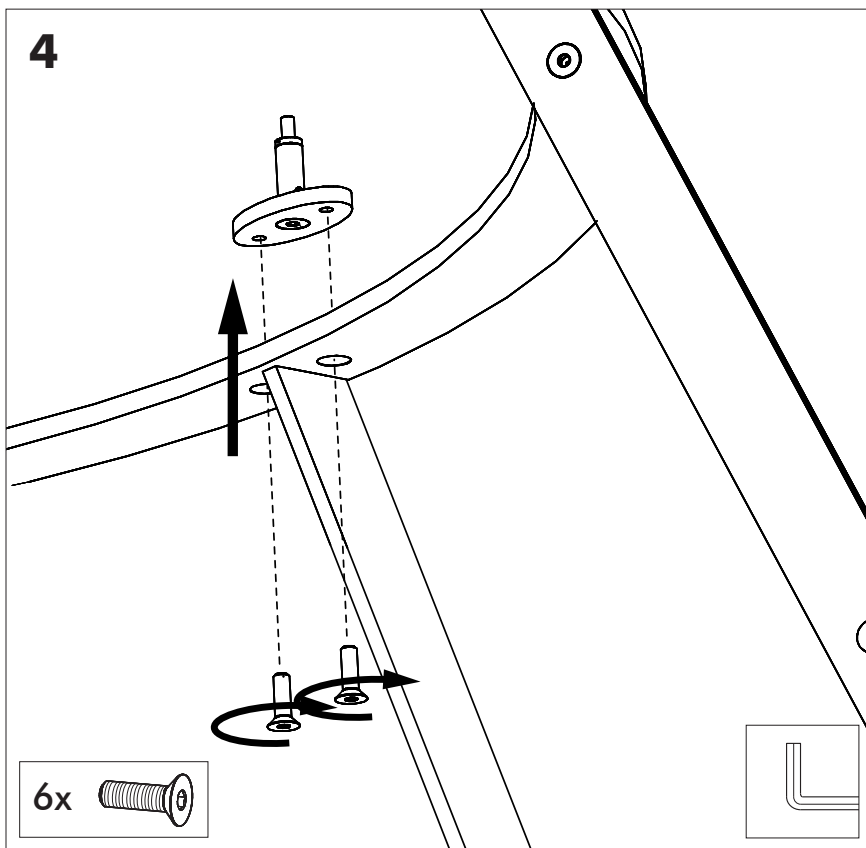
3



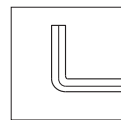
3x



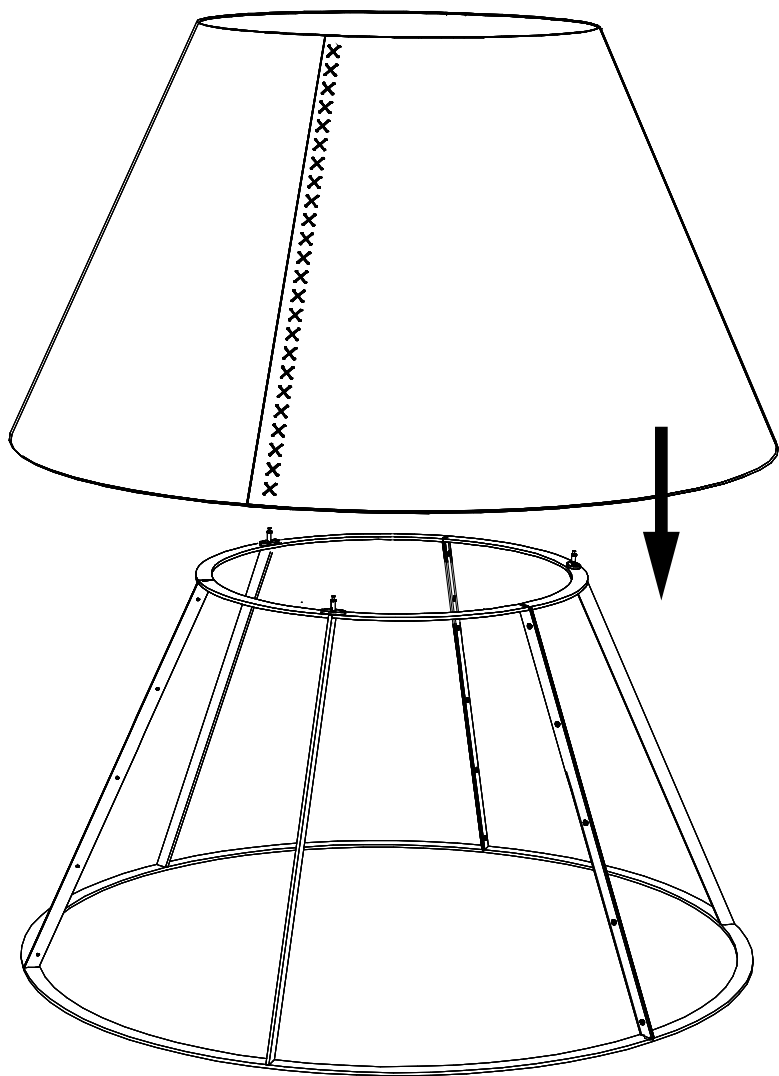
4



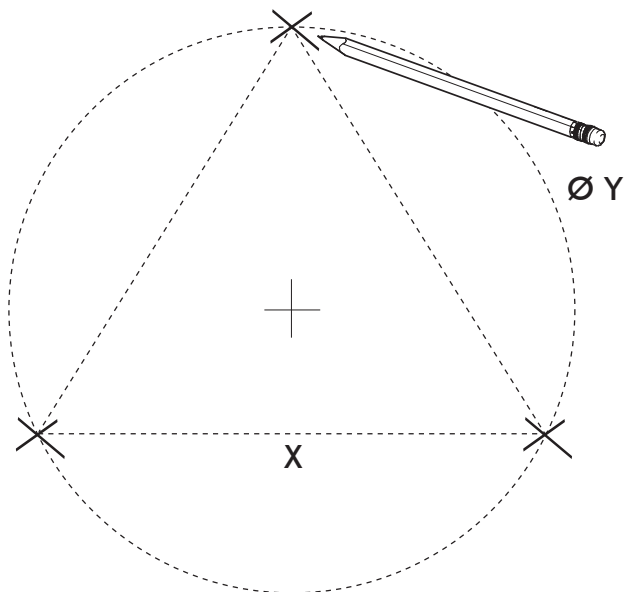
6x



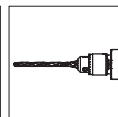
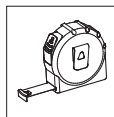
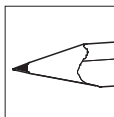
5



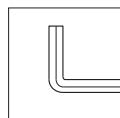
6



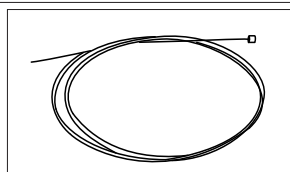
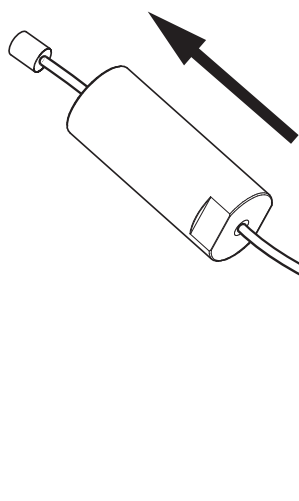
XL: X= 66 cm Y= 76 cm
XXL: X= 83 cm Y= 96 cm



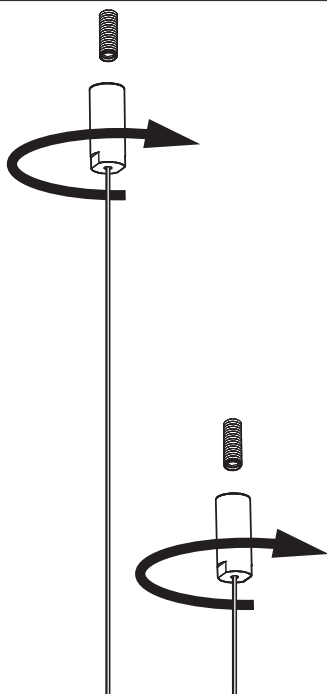
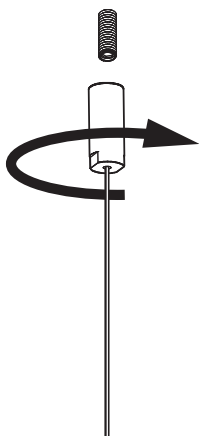
7



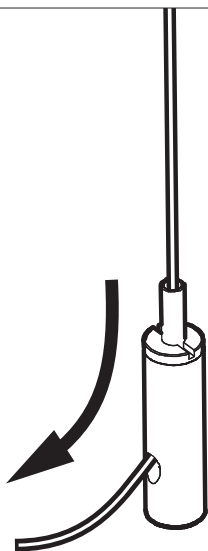
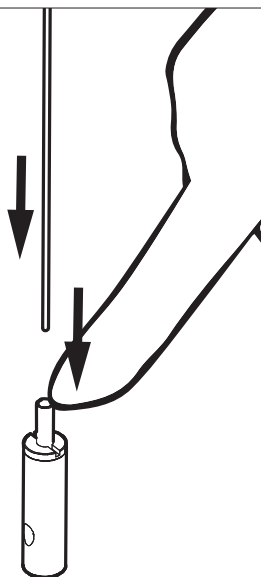
8



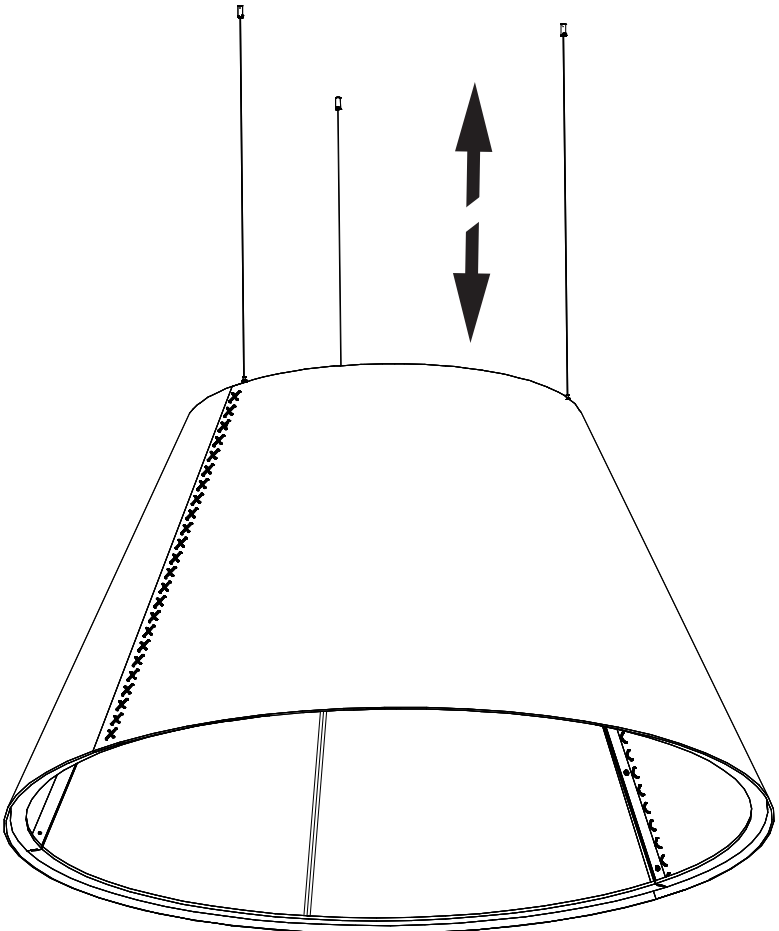
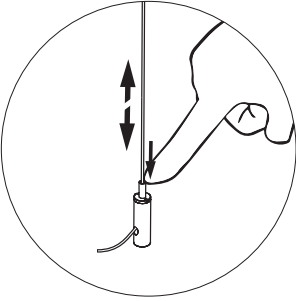
9



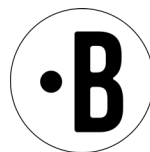
10



!



BuzziSpace
Groeningenlei 141
2550 Antwerp, Kontich
Belgium
☎ +32 (0)3 846 10 00
✉ info@buzzi.space
🌐 www.buzzi.space



Doc nr.: A-0000006814
Last update: 23/07/2019